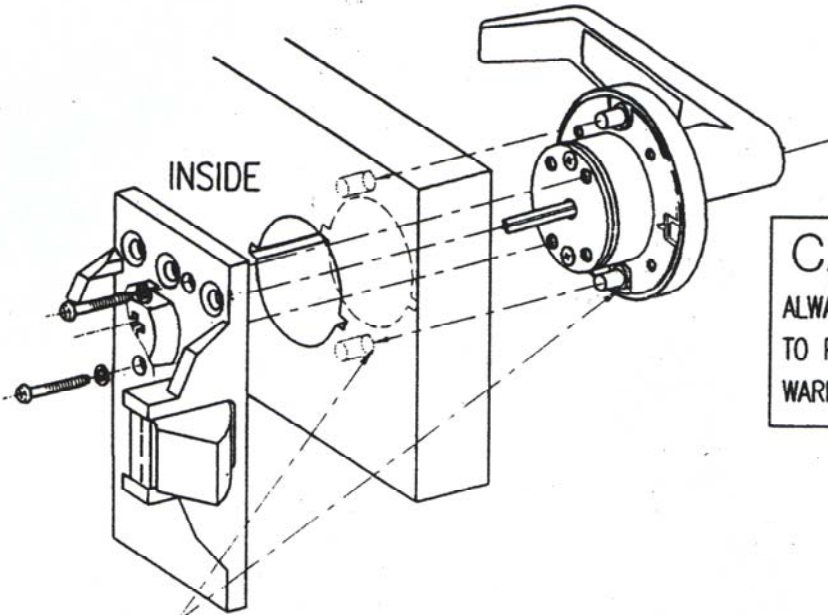


INSTALLATION INSTRUCTIONS FOR TRIM OF PANIC EXIT DEVICE WHEN YOUR DOOR HAS CYLINDRICAL LOCK CUT-OUT

ENT 00L
PAS 30L

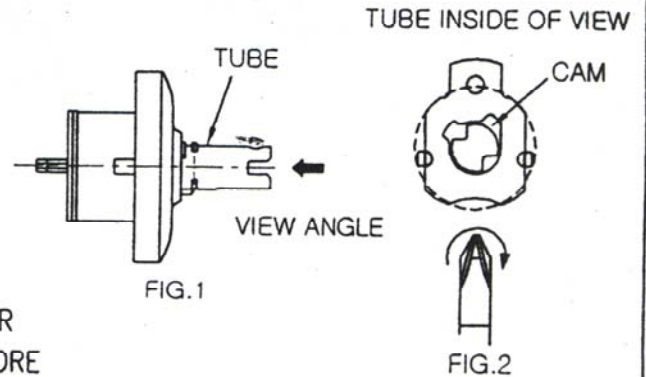


CAUTION

ALWAYS USE PROVIDED SPRING WASHERS
TO PREVENT SCREWS FROM COMING LOOSE.
WARRANTY VOIDED IF ABOVE NOT COMPLIED WITH.

IMPORTANT !

- 1) ALIGNMENT STUDS **MUST** ENTER INTO (2) 5/16" FIELD DRILLED HOLES ON OUTSIDE OF DOOR (EXISTING SLOTS CAN BE ELONGATED WITH A FILE).
- 2) MAKE SURE TO TURN CAM CLOCKWISE BY PHILLIPS DRIVER HOLDING TUBE WITH FINGERS AS FAR AS IT WILL GO BEFORE REASSEMBLING OF HANDLE TO PREVENT MIS-POSITIONING OF CAM. (SEE FIG.1 FIG. 2)



TEMPLATE

****Contact factory if used with MULLION****

