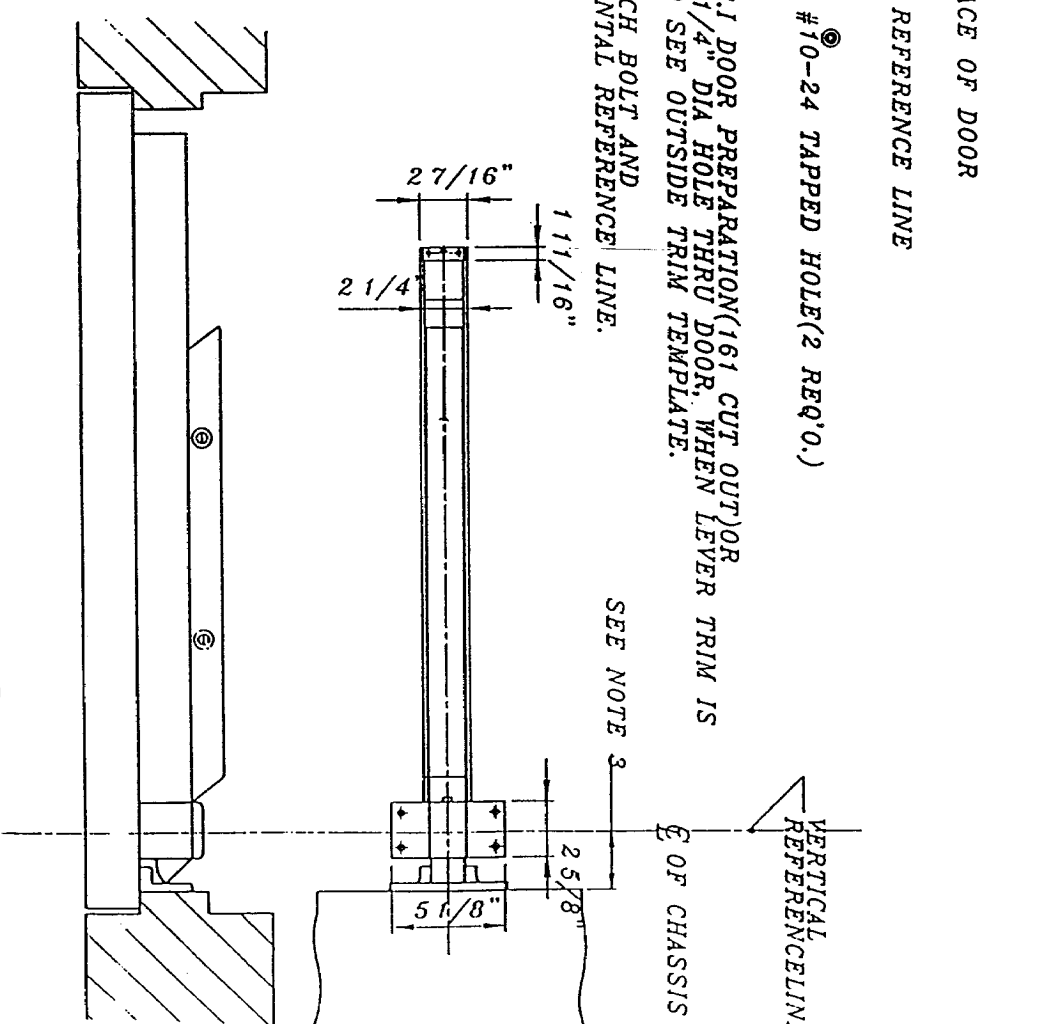
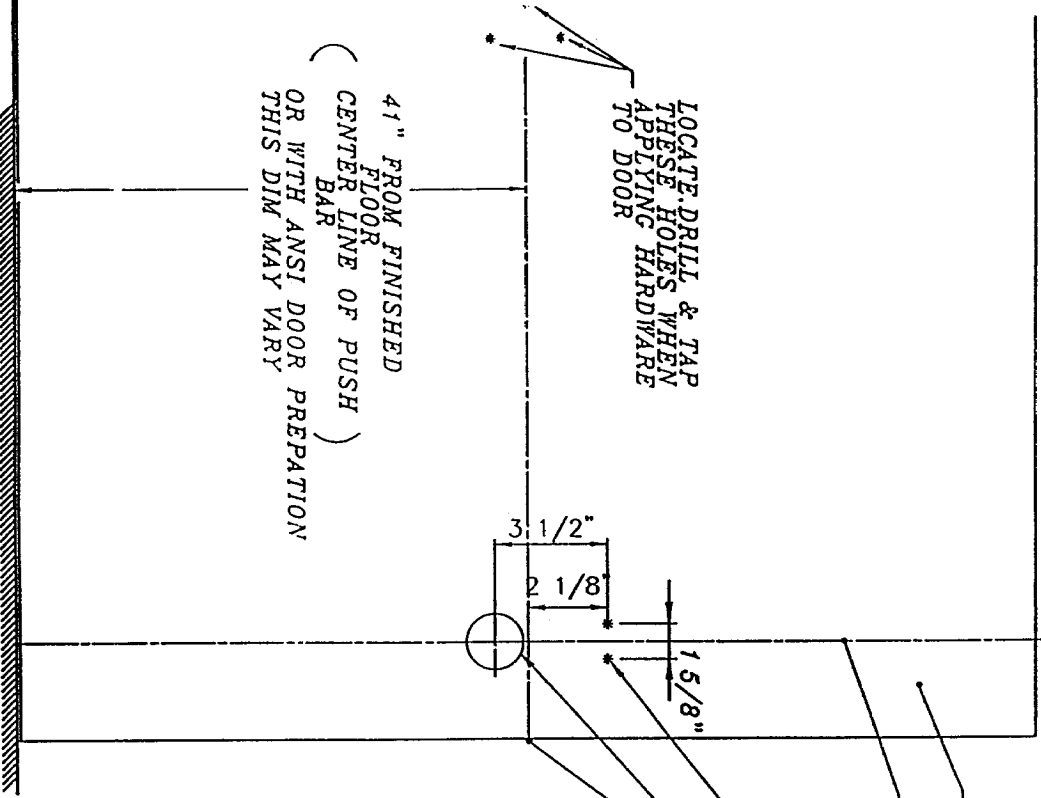


- ① NO ADDITIONAL DOOR PREPARATION IS REQUIRED FOR MOUNTING THE OUTSIDE TRIM
- ② SURFACE OF DOOR WHERE EXIT DEVICE IS TO BE APPLIED MUST BE FLUSH
- ③ SEE MASTER SHEET FOR AREAS REQUIRING REINFORCEMENTS
- ④ SEE STRIKE TEMPLATE FOR TOP AND BOTTOM STRIKES.
- ⑤ FOR MONITOR STRIKE SEE TEMPLATE
- ⑥ WE RECOMMEND THAT ALL TAPPED HOLES BE DRILLED & TAPPED IN FIELD
- ⑦ TOLERANCE ON ALL DIMENSIONS $\pm 1/64$ "



F2200EO

TEMPLATE:	
88.02.05	FC-7000 LVR
FIRE RIM TYPE EXIT DEVICE WITH LEVER TRIM	