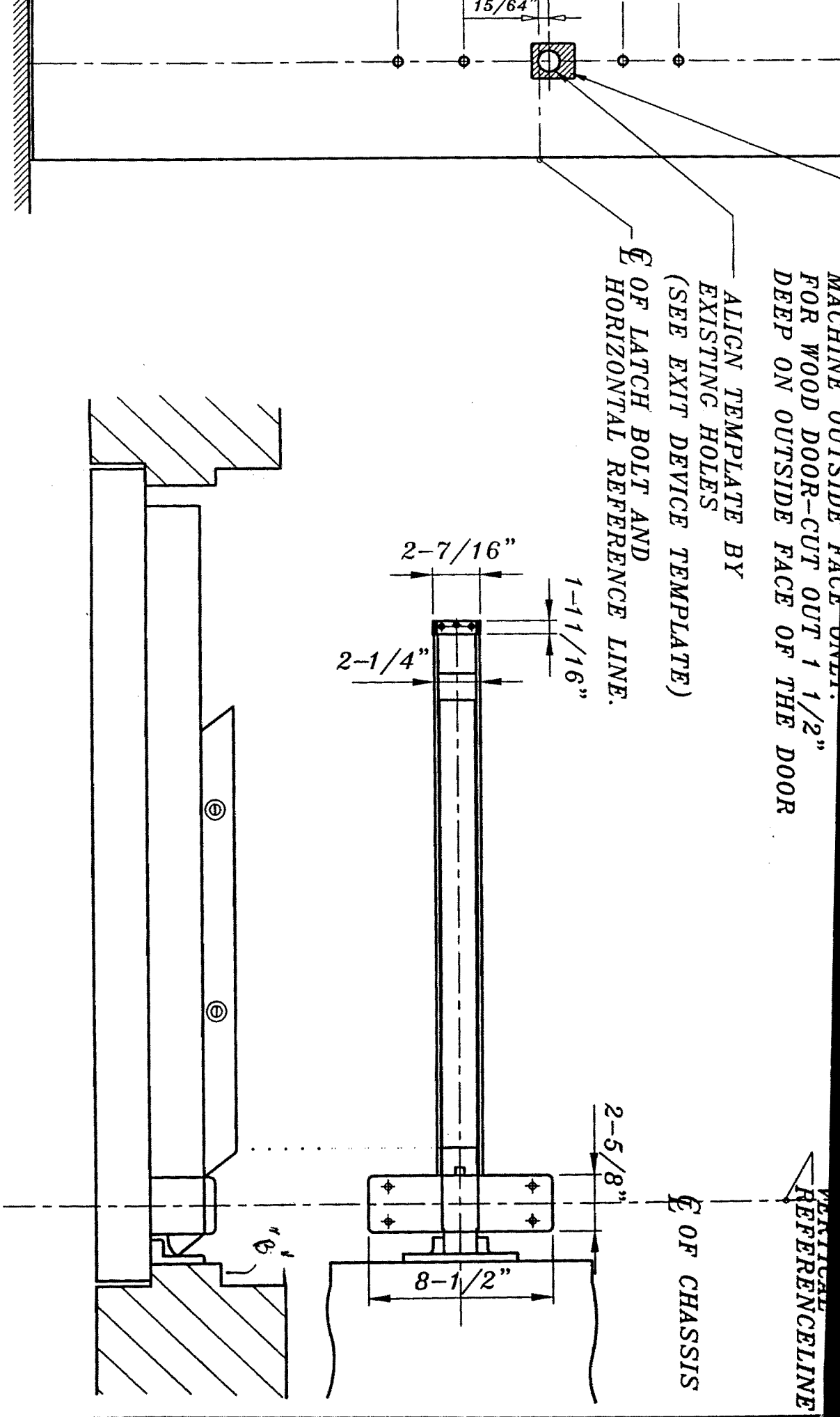


MACHINE OUTSIDE FACE ONLY.  
 FOR WOOD DOOR-CUT OUT 1 1/2"  
 DEEP ON OUTSIDE FACE OF THE DOOR

ALIGN TEMPLATE BY  
 EXISTING HOLES  
 (SEE EXIT DEVICE TEMPLATE)

℄ OF LATCH BOLT AND  
 HORIZONTAL REFERENCE LINE.

VERTICAL  
 REFERENCELINE  
 ℄ OF CHASSIS



**F9800**

CE IS TO BE APPLIED MUST BE FLUSH  
 DRING REINFORCEMENTS  
 BOTTOM STRIKES.

HOLES BE DRILLED & TAPPED IN FIELD  
 NSIONS ± 1/64"

TEMPLATE: FIRE RIM TYPE EXIT DEVICE WITH PULL TRIM	
日期	01.05.04
檔名	FC-9000