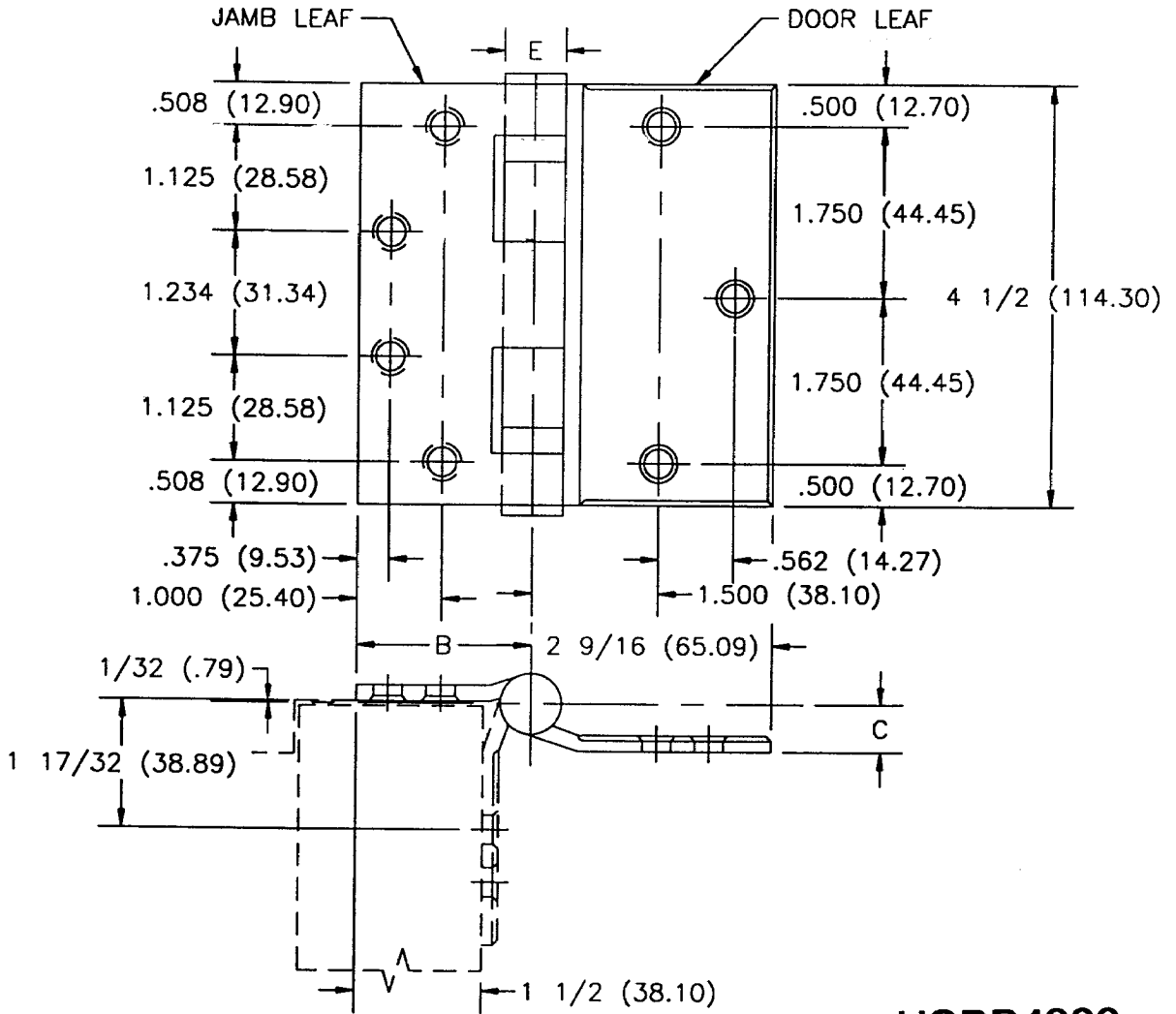


CAL-ROYAL PRODUCTS, INC.

HSBB4900

HALF SURFACE TEMPLATE HINGES

SIZE: 4 1/2 (114.30)



-DO NOT SCALE-

HSBB4900

CATALOG NUMBER		METAL GAUGE	(B) JAMB LEAF WIDTH	(C) DOOR LEAF OFFSET	(E) KNUCKLE DIAMETER
STEEL HINGES	NON- FERROUS HINGES				

HSBB4900		.134 (3.40)	2 (50.80)	1/2 (12.70)	39/64 (15.48)

ALL NON-BRACKETED DIMENSIONS ARE IN INCHES, ALL BRACKETED DIMENSIONS ARE IN MILLIMETERS.

Machine Screw Size: Door Leaf- 1/4-20 x 2" O.H. WITH GROMMET NUTS
Jamb Leaf- 12-24 x 1/2" F.H.