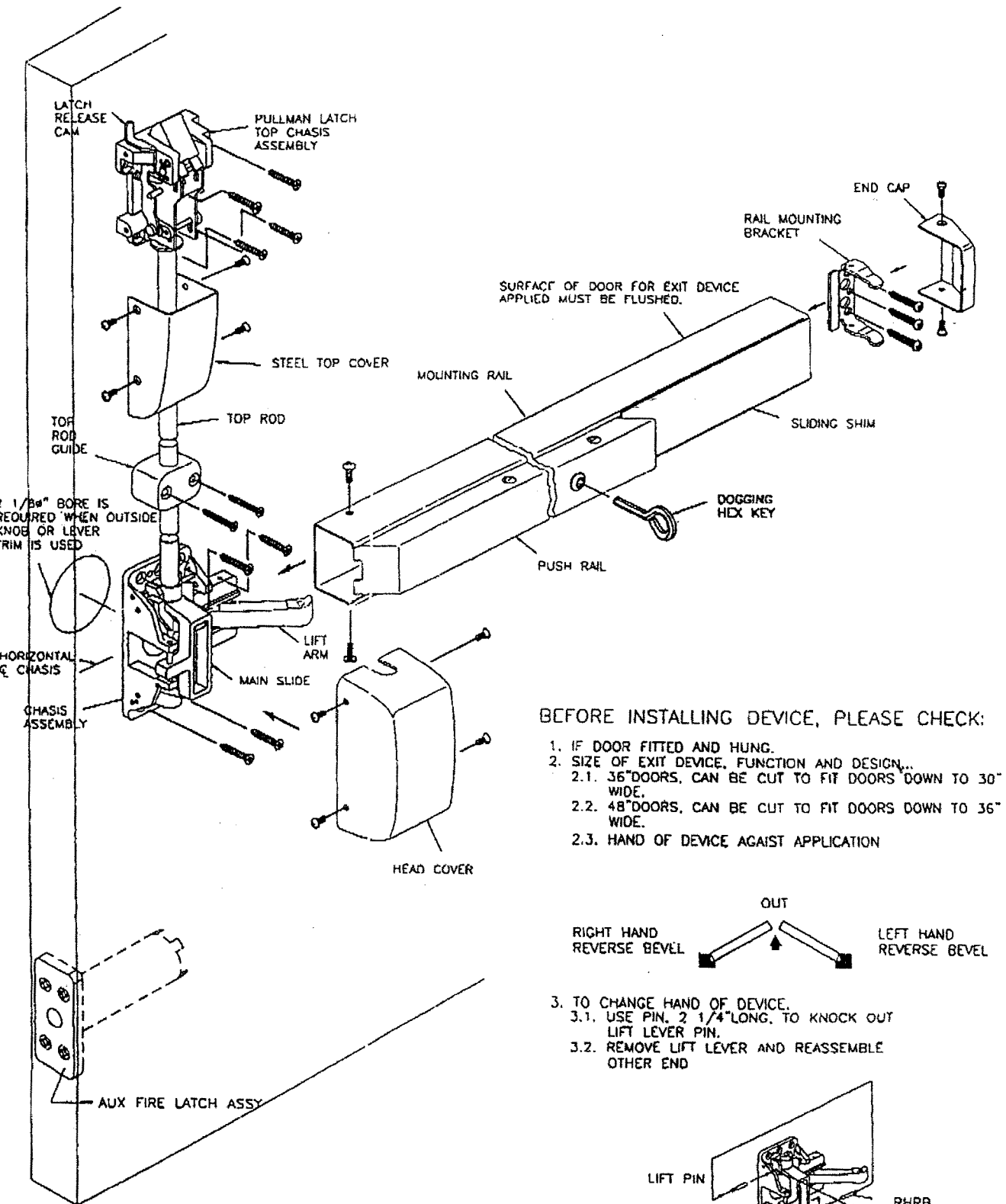


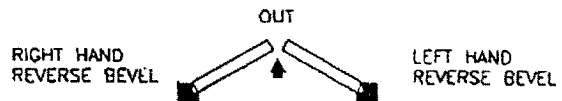
Installation instruction for #LBR2260V & LBR2280V series

FIRE VERT ROD EXIT DEVICE, less Bottom Rod with Aux Fire Latch ass'y

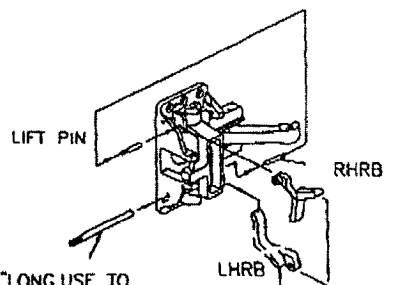


BEFORE INSTALLING DEVICE, PLEASE CHECK:

1. IF DOOR FITTED AND HUNG.
2. SIZE OF EXIT DEVICE, FUNCTION AND DESIGN...
 - 2.1. 36" DOORS, CAN BE CUT TO FIT DOORS DOWN TO 30" WIDE.
 - 2.2. 48" DOORS, CAN BE CUT TO FIT DOORS DOWN TO 36" WIDE.
 - 2.3. HAND OF DEVICE AGAINST APPLICATION



3. TO CHANGE HAND OF DEVICE.
 - 3.1. USE PIN, 2 1/4" LONG, TO KNOCK OUT LIFT LEVER PIN.
 - 3.2. REMOVE LIFT LEVER AND REASSEMBLE OTHER END



PIN, 2 1/4" LONG, USE TO KNOCK OUT LIFT PIN. LIFT LEVER