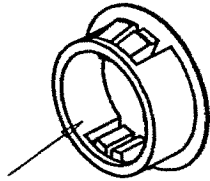
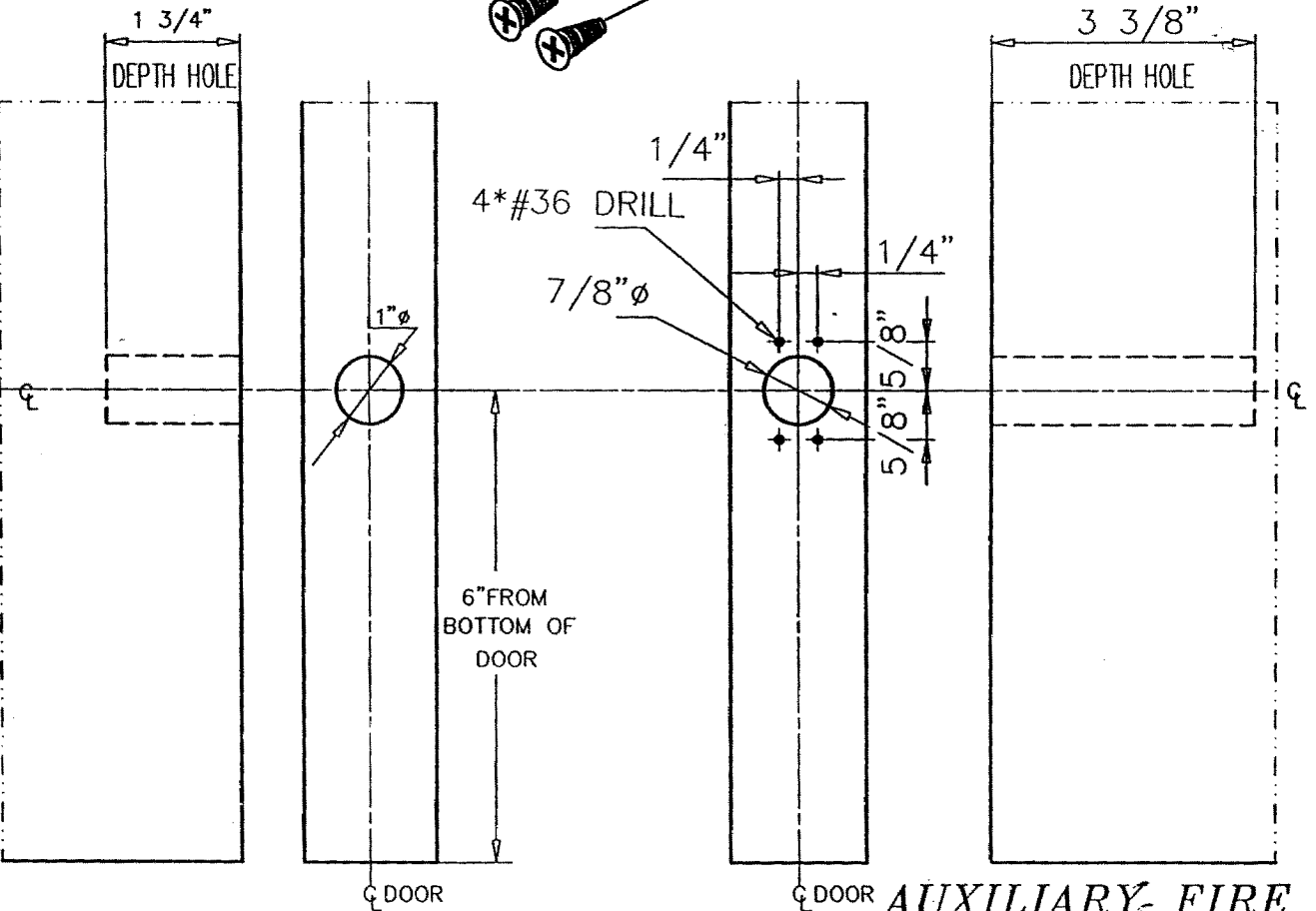
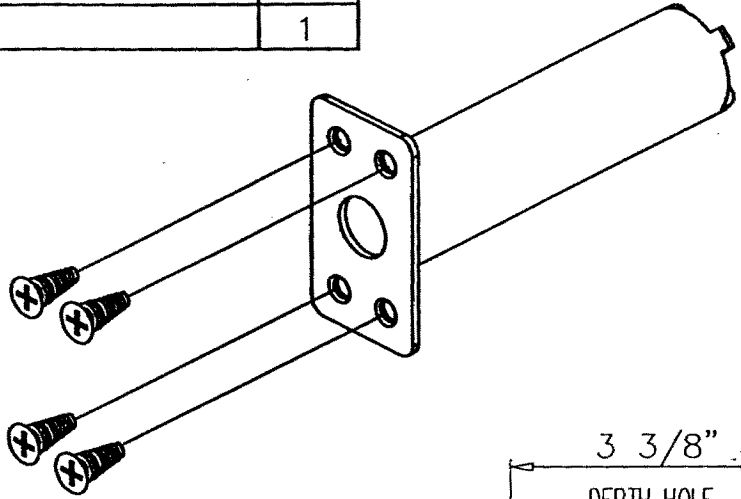


TEMPLATE #1

DESCRIPTION	QTY.
AUXILIARY FIRE LATCH ASSEMBLY	1
#6X3/6" TYPE AB FLAT HEAD SCREW	4
STRIKE HOLE PLUG	1



STRIKE HOLE PLUG



STRIKE HOLE PLUG
DOOR LEAF

AUXILIARY-FIRE
LATCH ASSEMBLY
DOOR LEAF

ITEM	PART NO	PART NAME	QUANTITY	SPECIFICATION	REMARK
		DRAWN BY 符德興		MODEL	FIRE VERT BOTTOMLESS EXIT DEVICE
		DESIGNED BY 符德興		PART NAME	AUX FIRE LATCH ASSY
		CHECKED BY		PART NO.	LBR-F-2260V REV
		APPROVED BY			
DATE	REVISION	ENG RECORD NO	VER	SCALE	1/1
				UNT	MM
				SHEET	OF
				FILE NAME	