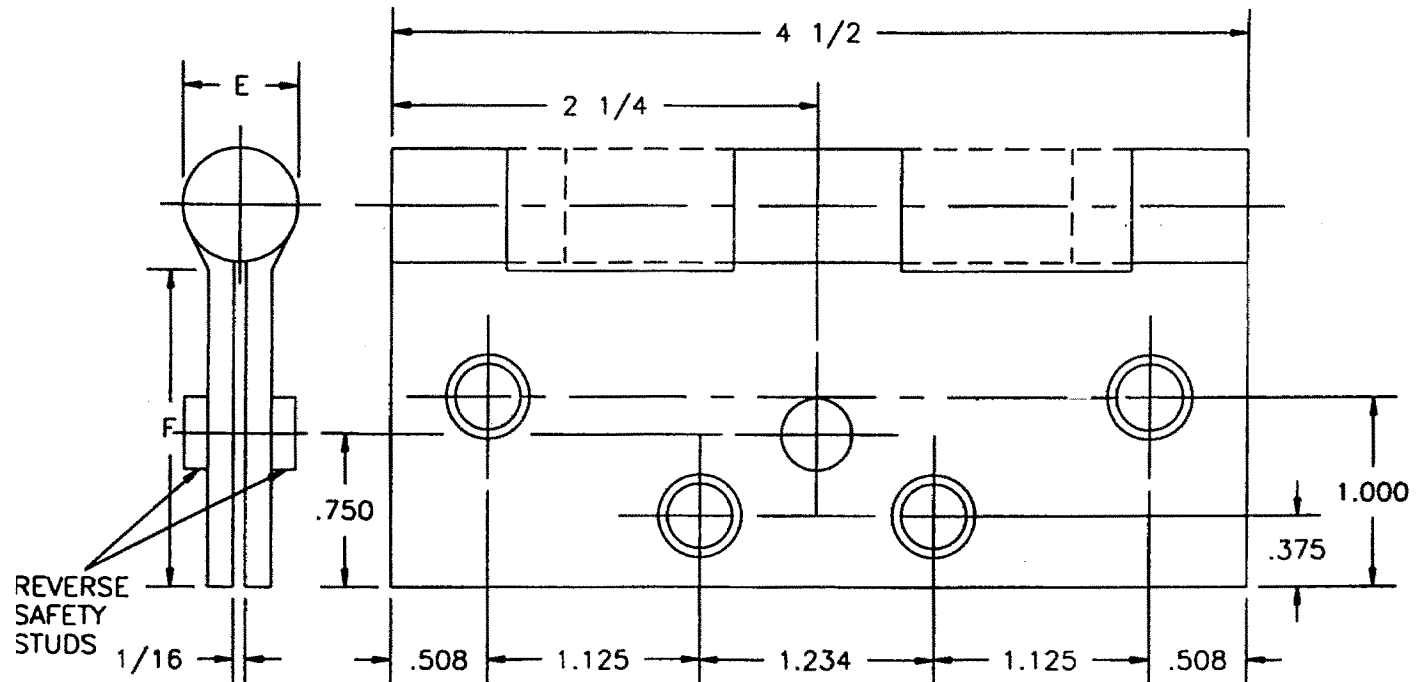


CAL — ROYAL PRODUCTS, INC.

FULL MORTISE REVERSE SAFETY STUD TEMPLATE HINGES

SIZES: 4 1/2 x 4, 4 1/2 x 4 1/2, 4 1/2 x 5, 4 1/2 x 6,
4 1/2 x 7, 4 1/2 x 8



-DO NOT SCALE-

WTHBB456

CATALOG NUMBER		METAL GAUGE	(E) KNUCKLE DIAMETER	(F) DISTANCE FROM EDGE OF LEAF TO SWAGE LINE	
STEEL HINGES					
WTHBB456		.134	39/64	4 1/2 x 6	2 5/8

ALL DIMENSIONS ARE IN INCHES.

Machine Screw Size— 12-24 x 1/2" F.H.
Wood Screw Size— No. 12 x 1 1/4" F.H.