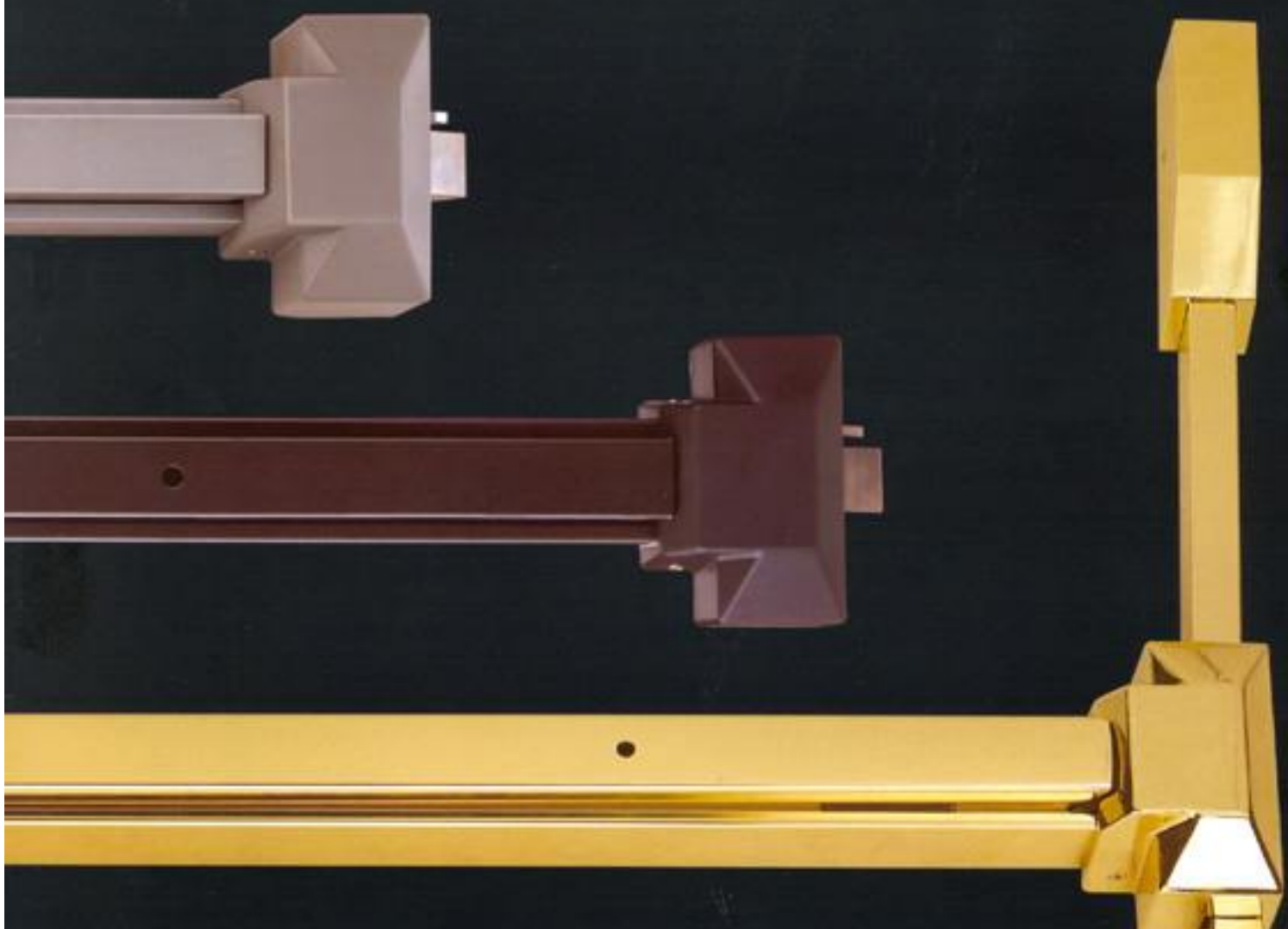


CAL-ROYAL

PRODUCTS, INC.

INDOOR[®]

8000 Series Exit Devices
F8000 Series Fire Exit Devices

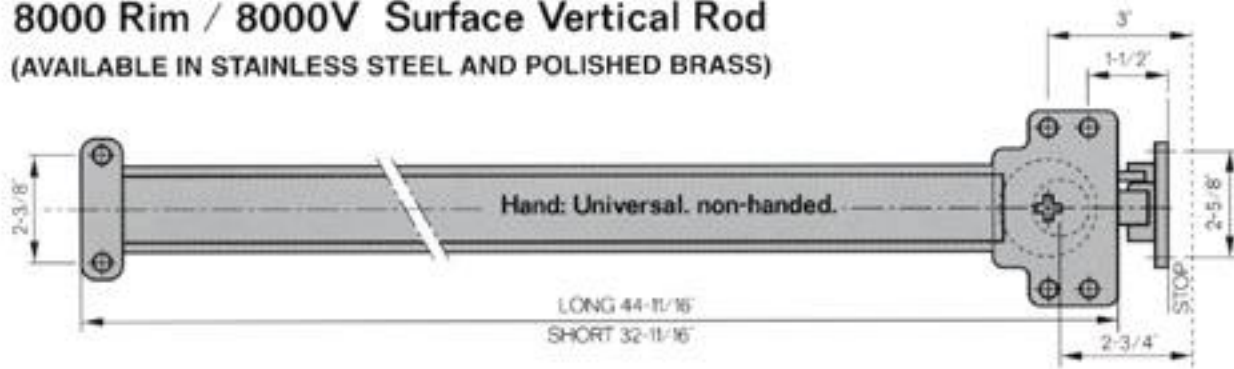


INTERNATIONAL STANDARDS
This product is manufactured under a quality management system - BS 5750, ISO 9002, EN29002, CNS 12681, 24034, JIS Z9901, and ASQC Q91.

8000 Series Exit Devices

8000 Rim / 8000V Surface Vertical Rod

(AVAILABLE IN STAINLESS STEEL AND POLISHED BRASS)



8000 SERIES SPECIFICATIONS

MATERIAL-Push bar painted heavy gauge steel, spring of stainless steel.

LATCH BOLTS-3/4" throw, stainless steel.

DEAD LATCH BOLT-5/8", stainless steel.

STRIKE-For 5/8" stop, plus shim for 1/2" stop.

PROJECTION-2-1/2" maximum, 1-7/8" depressed.

REVERSIBLE-Non-handed. Reversible for all functions and trims.

FOR DOOR-1-3/4" thick standard. Specify if other than 1-3/4" thick.

BACKSET-2-3/4"

161 CUT OUT- Device covers 161 cut out. Some trims require cover plate.

Packaging-Exit devices packed with lock front and strike filler.

SEX BOLTS are standard packaging for use with wood, composite or non reinforced doors on vertical rod devices.

DOOR WIDTH-For door 26" to 30" wide-30" standard, for door 30" to 40" wide-40" standard.

STILE HEIGHT-4-1/4" min.

MOUNTING HEIGHT-40-5/16" from CL to finished floor recommended.

MOUNTING-Furnished standard with sheet metal & machine screws.

CYLINDER-Schlage® C keyway, other keyways specify.

DOGGING-1/4 turn, hex key dogging on non-fire-labeled devices.

U.L. LISTED-For "panic hardware".

OPERATION-inside by slight pressure on any point on the push bar at all times.

8000V-VERTICAL ROD.

TOP LATCHBOLT-3/4" throw, stainless steel.

TOP DEADBOLT-1/2" throw, steel bolt.

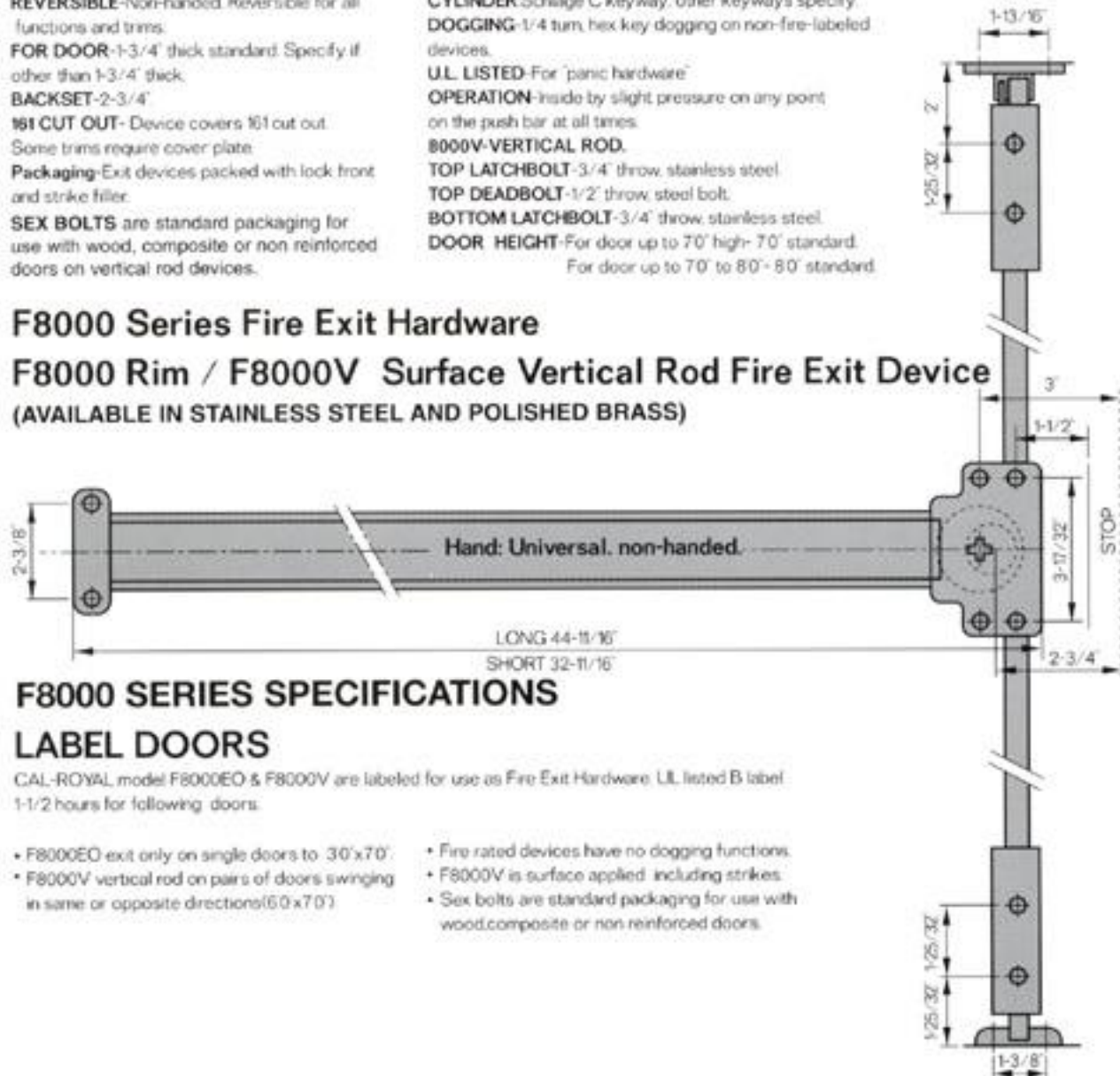
BOTTOM LATCHBOLT-3/4" throw, stainless steel.

DOOR HEIGHT-For door up to 70" high-70" standard. For door up to 70" to 80"-80" standard.

F8000 Series Fire Exit Hardware

F8000 Rim / F8000V Surface Vertical Rod Fire Exit Device

(AVAILABLE IN STAINLESS STEEL AND POLISHED BRASS)



F8000 SERIES SPECIFICATIONS

LABEL DOORS

CAL-ROYAL model F8000EO & F8000V are labeled for use as Fire Exit Hardware. U.L. listed B label 1-1/2 hours for following doors:

- F8000EO exit only on single doors to 30"x70".
- F8000V vertical rod on pairs of doors swinging in same or opposite directions(50"x70").
- Fire rated devices have no dogging functions.
- F8000V is surface applied including strikes.
- Sex bolts are standard packaging for use with wood, composite or non reinforced doors.

NON FIRE RATED TRIMS

(All trim covers 161 Cylindrical Prep-ANS A115.2) Hand: Escutcheon trims are non handed for rim devices, handed for vertical rod. Specify handing.



62BL-Outside by lever except when locked by key. **ENTRANCE.**
62CL-Outside by key, lever always rigid. Packed with cover plate. **STOREROOM.**



61AL-Outside by lever always free. **PASSAGE.**
60DTL-Lever always rigid. **DUMMY.** Packed with cover plate.



52BL-Outside by lever except when locked by key. **ENTRANCE.**
52CL-Outside by key, lever always rigid. Packed with cover plate. **STOREROOM.**



51AL-Outside by lever always free. **PASSAGE.**
50DTL-Lever always rigid. **DUMMY.** Packed with cover plate.



NON HANDED
8000/L-Outside by lever except when locked by key. **ENTRANCE.**
8000/S-Storeroom function. Available in most major manufacturers keyways. **8000/PAS-PASSAGE**
8000/DUM-DUMMY



IC CORE AVAILABLE
8000/NL
 Outside by key and pull
 6' x 3 1/2'



DTP
 Outside by pull only
 6' x 3 1/2'



8000/EOP
 Outside by plate only
 4' x 3 1/2'



8000/K
 Outside by knob except when locked by key. Available in most major manufacturers keyways. **NON HANDED**

INTERCHANGEABLE CORE:
 Interchangeable core locks will accept compatible 6 or 7 pin cores with **BEST, FALCON** and **ARROW.** Add "IC" before part number.

FIRE RATED TRIMS

WHEN USING TRIMS FOR FIRE RATED F8000 & F8000V DEVICES, PREFIX "F" TO TRIM PART NUMBER. FIRE RATED 8000/L & 8000/K. AVAILABLE FOR VERTICAL ROD DEVICES ONLY.

Standard Strikes



Rim Devices
 Rim Strike
 with 1/8" shim



Vertical Rod Devices
 Top Strike:
 with two 1/16" shim



Bottom Strike
 With two 1/16" shim

Double Door Strike

Overlapping Strike OS1
 Used on inactive leaf for device on active leaf of pair of doors without removable mullion. OS1 keeps 2-3/4" backset.



Accessories



Sex Nut & Bolt
 Packed with all vertical rod exit devices.



#LFF
Lock Front Filler
 2-1/4" x 1-1/8"
 Packed with exit only.



#SF
Strike Filler
 4-7/8" x 1-1/4"
 Packed with exit only.

#SHIM8000
 Shim Kit
 1/8" shim kit for rim only

ANSI FUNCTION	0 1	0 2	0 3	0 8	
FUNCTION DESCRIPTION	Exit only/no trim	Entrance by trim when actuating bar is locked down.	Entrance by trim when latch bolt is retracted by key. Key removable only when locked.	Entrance by knob or lever. Key locks or unlocks knob or lever.	Entrance by knob or lever. Key locks or unlocks knob or lever.
RIM TYPE1					
CAL-ROYAL	8000/F8000				
MONARCH	19-R-BA	#R-21 52P #R-21 52R	#R-21 52P #R-21 52R	19-R-K(orL)	#R-21 52 LK #R-21 52 RK
VON-DURRIN	22EO	22DT	22NL	22K	22K-BE
SARGENT	2828	2828X28D-GTB	2828X28K-GTB	28T3	28T5
CORBIN	D2942	D29XDTP	D29X2P	D29X2K	*
RUSSWIN	372	372XDTP	372X3P	372X3K	*
PRECISION	*	*	*	*	*
YALE	2000EO	2000EO	2000X207	#2000X207 #2000X207P	#2000X207 #2000X207P
VERTICAL ROD TYPE2					
MONARCH	19-V-BA	#R-21 52P #R-21 52R	#R-21 52P #R-21 52R	19-V-K(orL)	#R-21 52 LK #R-21 52 RK
VON-DURRIN	222EO	222DOT	*	222TK	222TK
SARGENT	27T3	*	*	*	*
CORBIN	D20	D20XDTP	D20X2P	D20X2K	*
RUSSWIN	382	382XDTP	382X3P	382X3K	*
PRECISION	*	*	*	*	*
YALE	20V0EO	20V0X201	20V0X207	#20V0X207 #20V0X207P	#20V0X207 #20V0X207P

STANDARD FINISHES

AL	BAKED ENAMEL, ALUMINUM COLOR
BD	BAKED ENAMEL, DARK DURONOTIC COLOR
GO	BAKED ENAMEL, GOLD COLOR
UB3	CLEAR COATED BRIGHT BRASS
USS20	STAINLESS STEEL (COMPLETE BODY)
SPECIAL ORDER FINISHES AVAILABLE UPON REQUEST.	

HOW TO ORDER

1. EXIT ONLY 8000/EO, SPECIFY 36" OR 48"
2. VERTICAL ROD 8000/V, SPECIFY 36" x 84", 36" x 96", 48" x 96"

FIRE RATED

1. EXIT ONLY F8000/EO, 36" ONLY
2. VERTICAL ROD F8000V/EO, 36" x 84" ONLY
3. FINISH
4. REQUIRED TRIM
5. KEYWAY OF CYLINDER, OTHER THAN "C" KEYWAY

Ordering Example

Device	Door Width x Height	Finish	Trim Design
F8000V	36" x 84"	AL	52BL



CAL-ROYAL

PRODUCTS, INC.

2110 TUBEWAY AVE,
COMMERCE, CA 90040 U.S.A.
TEL: (323) 888-6601
FAX: (323) 888-6699
Website: cal-royal.com
Email: sales@cal-royal.com

DISTRIBUTED BY: