

ENTRANCE HANDLESET

CLASSIC DESIGN

CS SERIES



SOLID FILLED
HANDLE GRIP



ENTRANCE HANDLESET

ABINGTON DESIGN

ABI SERIES



SOLID FILLED
HANDLE GRIP

HANDLESET SERIES

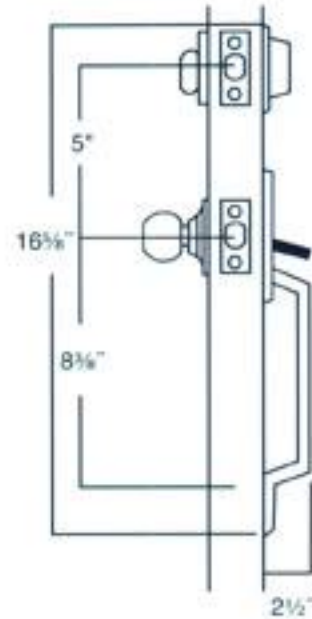
FEATURES & SPECIFICATIONS

- All metal body and parts.
- All deadbolt features same as SD200 & DD210 Series.
- Non locking knob or lever operates latch from interior.
- Thumb piece operates handleset latch from exterior.
- Strikes & latchbolts same as Knob & Leversets.

FUNCTIONS

- CS-00 - Handle with single cylinder deadbolt.
 - CS-80 - Handle with double cylinder deadbolt.
 - CS-40 - Complete dummy trim.
- * Specify interior Knob or Lever Design.

When ordering Abington ABI Series replace CS with ABI (ex. ABI -00)



FINISHES

- New Powder Coated
- US3 - Polished Brass
- US5 - Antique Brass
- US26D - Satin Chrome
- US26 - Polished Chrome
- Other finishes available upon request based on quantity with factory lead time.
- * Refer to price list for stock finishes.
- For **EXCEL LIFE TIME FINISH** on polished brass, prefix "LIF" before part #.

**EXCEL LIFE TIME
ANTI TARNISH
FINISH AVAILABLE**

CAL-ROYAL

PRODUCTS, INC.

2110 TUBEWAY AVE, COMMERCE, CA 90040 U.S.A.

TEL: (323) 888-6601 FAX: (323) 888-6699

Website: cal-royal.com • Email: sales@cal-royal.com