

CAL-ROYAL

P R O D U C T S, I N C.


SL/CSL SERIES

ANSI GRADE 2

CYLINDRICAL

LEVERSET

Available With Interchangeable Core

 Meets ADA requirements
Specially designed for
Barrier Free Application
Conforms with ANSI A156.2
Series 4000, Grade-2.
Exceeds 400,000 cycles.

 LISTED

PIONEER

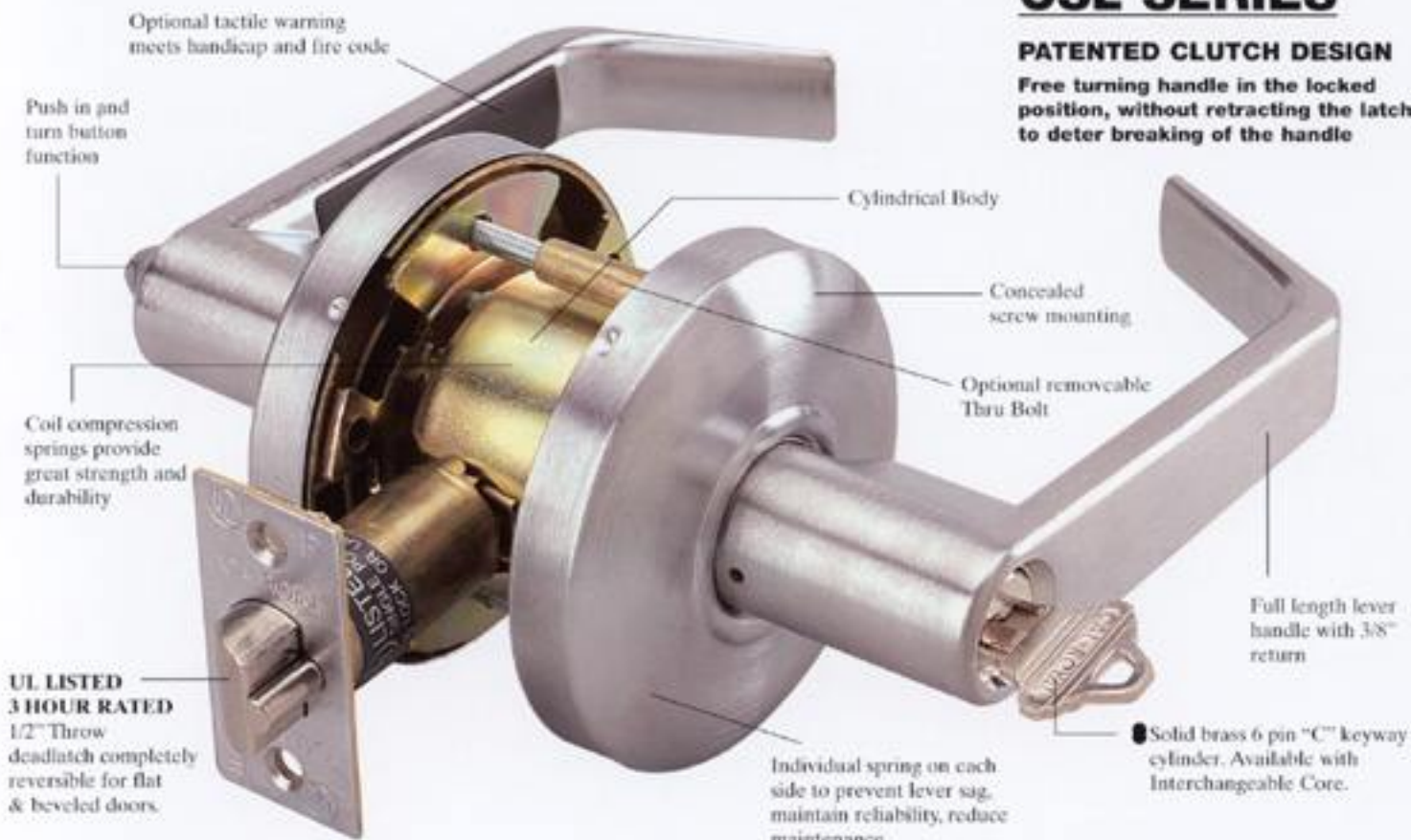
NON CLUTCH MECHANISM SL SERIES

CLUTCH MECHANISM CSL SERIES

CSL SERIES

PATENTED CLUTCH DESIGN

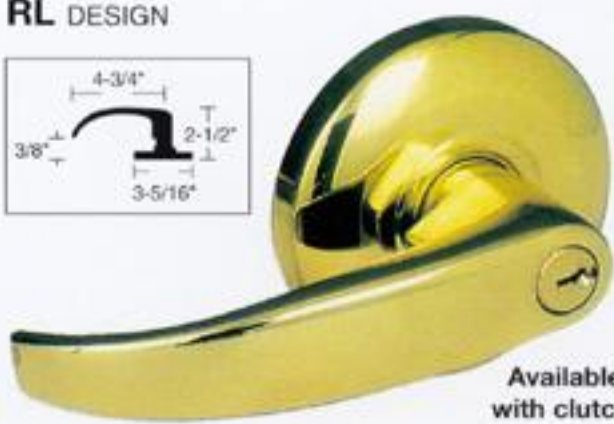
Free turning handle in the locked position, without retracting the latch, to deter breaking of the handle



AG DESIGN



RL DESIGN



FINISHES AVAILABLE

BHMA SYMBOL	US CODE	DESCRIPTION
605	3	Polished Brass
612	10	Satin Bronze
613	10B	Oil Rubbed Bronze
625	26	Bright Chrome
626	26D	Satin Chrome
606	4	Satin Brass

Other finishes available with lead time.

SPECIFICATIONS

Applications

For offices, schools, hospitals, apartments, hotels/motel and other public buildings.

Door Ranges

1-3/8" to 1-3/4" thickness doors.

Backset

2-3/4" Standard, 2-3/8", 3-3/4" and 5" optional.

Front

2-1/4" X 1-1/8", adjustable for flat or beveled doors 1/8" in 2".

Strike

ASA strike standard, "T" and full lip strike available on request.

Latchbolt

1/2" Throw solid brass, reversible for RH or LH applications. UL listed.

Latch & Strike Screws

8-32 X 1" FPH dual purpose.

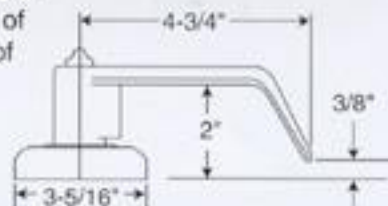
ANSI Standards

Meets or exceeds requirements of BHMA/ANSI A156.2 Series 4000 grade 2 (FF-H 106C), 400,000 cycles.

DIMENSIONS

The lever features a 3/8" return and projection of 2-1/2" from the face of door.

SL/CSL Design



Exposed Trim

Wrought brass, bronze or stainless steel, levers are Zinc casting, plated to match trim finish.

Keying

6-pin "C" keyway cylinder, 2 keys per lock. Keying as per individual job requirement.

Cylinders & Keyways

6 pin solid brass "C" key way standard. Schlage C-K, Russwin D1, Corbin 60, Sargent LA, Falcon/Weiser E, Arrow, Yale B, Yale GA (Optional)

Clutch

Clutch available on all keyed locks and privacy functions. Prefix "C" before part number.

Electrified Locks

Available upon request.

Tactile & Lead Lining

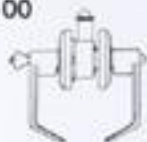
Available upon request.

Interchangeable Core

Interchangeable core locks will accept compatible 6 or 7 pin cores with BEST, FALCON and ARROW. Prefix "IC" before part number. Available combined or uncombined. Temporary construction cores available. Factory keying with control key and masterkey available.

INDICATES FUNCTION AVAILABLE WITH INTERCHANGEABLE CORE

SL-00



ENTRANCE/OFFICE LOCK

Pushing button in inside lever locks outside lever. Turning inside lever or operating key in outside lever releases button automatically.

Prefix "C" for clutch system

SL-03



CLASSROOM LOCK

Dead locking latch bolt operated by lever from either side except when outside lever is locked from outside by key. When outside lever is locked, latch bolt is operated by turning inside lever.

Prefix "C" for clutch system

SL-05



STOREROOM LOCK

Outside lever fixed. Entrance by key only. Inside lever always unlocked.

Prefix "C" for clutch system

SL-20



PRIVACY LOCK

Latch bolt operated by lever from either side. Outside lever is locked by push button inside and unlocked by emergency release outside. Turning inside lever or closing door release push button.

Prefix "C" for clutch system

SL-30



PASSAGE SET

Latch bolt operated by lever from either side at all times.

SL-40



DUMMY LEVER

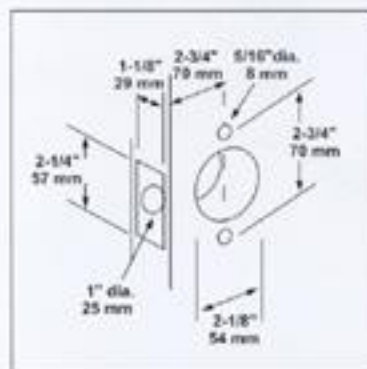
Single dummy trim for one side of door. Pull only.

SL-50



EXIT LOCK

Blank plate outside. Inside lever always unlocked.



Door Preparation
When Optional Thru-
Bolt Is Applied

CAL-ROYAL

PRODUCTS, INC.

2110 TUBEWAY AVE, COMMERCE, CA 90040 U.S.A.

TEL: (323) 888-6601 FAX: (323) 888-6699

Website: cal-royal.com • Email: sales@cal-royal.com