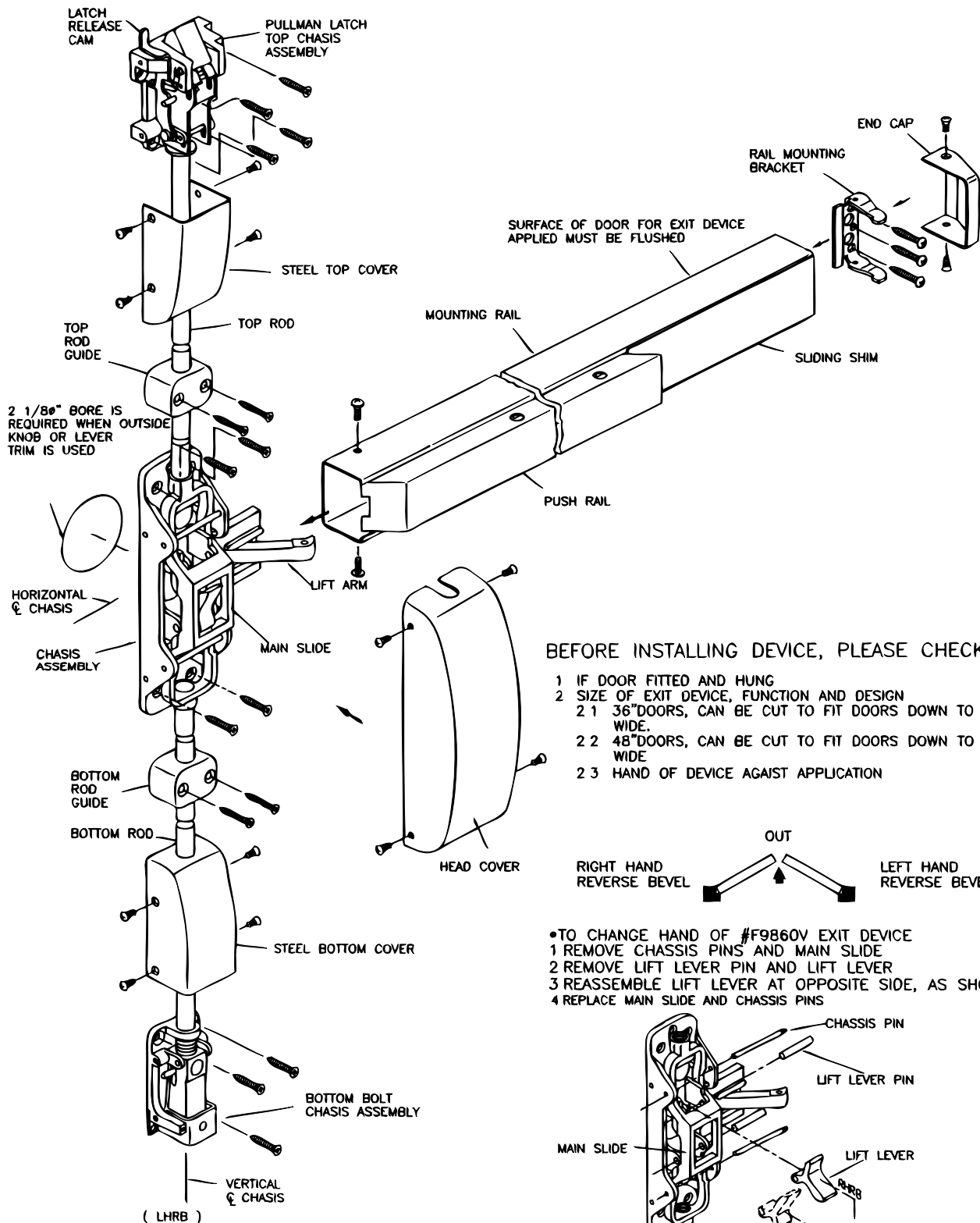
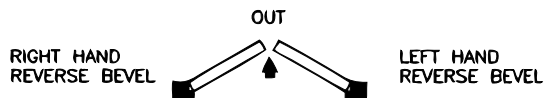


# INSTALLATION INSTRUCTIONS FOR F9860V SERIES FIRE VERTICAL ROD EXIT DEVICE

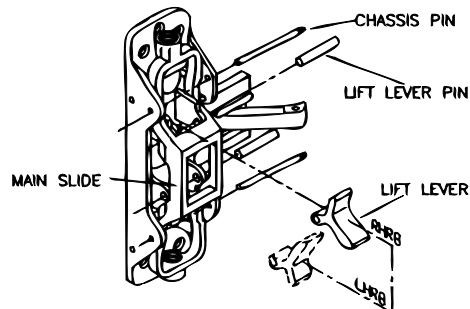


## BEFORE INSTALLING DEVICE, PLEASE CHECK

- 1 IF DOOR FITTED AND HUNG
- 2 SIZE OF EXIT DEVICE, FUNCTION AND DESIGN
  - 2.1 36" DOORS, CAN BE CUT TO FIT DOORS DOWN TO 30" WIDE.
  - 2.2 48" DOORS, CAN BE CUT TO FIT DOORS DOWN TO 36" WIDE
  - 2.3 HAND OF DEVICE AGAINST APPLICATION

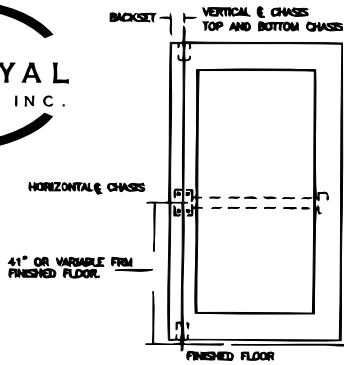


- TO CHANGE HAND OF #F9860V EXIT DEVICE
  - 1 REMOVE CHASSIS PINS AND MAIN SLIDE
  - 2 REMOVE LIFT LEVER PIN AND LIFT LEVER
  - 3 REASSEMBLE LIFT LEVER AT OPPOSITE SIDE, AS SHOWN
  - 4 REPLACE MAIN SLIDE AND CHASSIS PINS



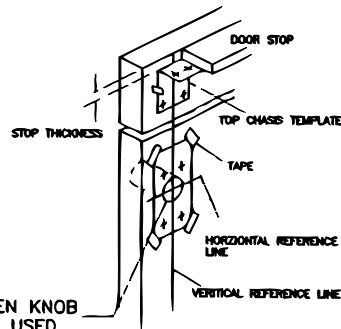
# 1. MARK VERTICAL AND HORIZONTAL REFERENCE LINE ON DOOR.

DETERMINE BACKSET TO LOCATE VERICAL REFERENCE LINE  
 1 IF LOCK STILE IS 4 1/2" WIDE OR WIDER, BACKSET IS 2 3/4".  
 2 IF LOCK STILE IS LESS THAN 4 1/2" WIDE, BACKSET IS HALF OF THE EXPOSED WIDTH OF LOCK STILE



# 2. PREPARE DOOR

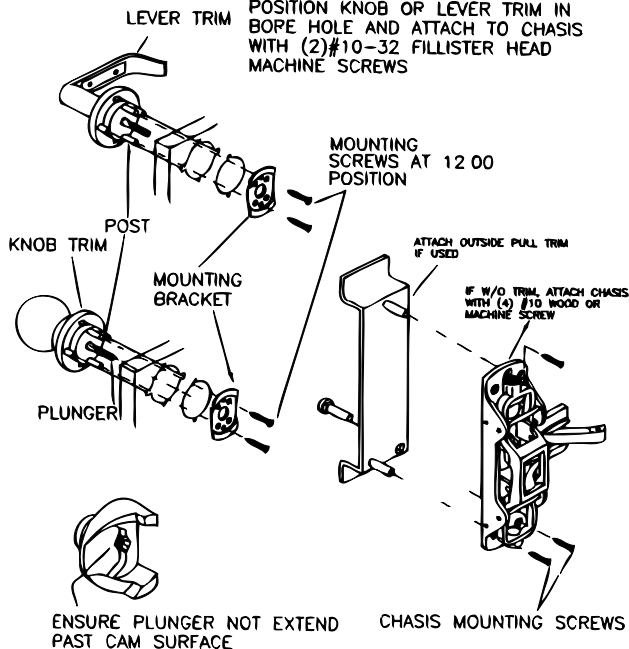
TAPE TEMPLATE ON INSIDE OF DOOR ALONG REFERENCE LINE SPOT AND DRILL HOLE



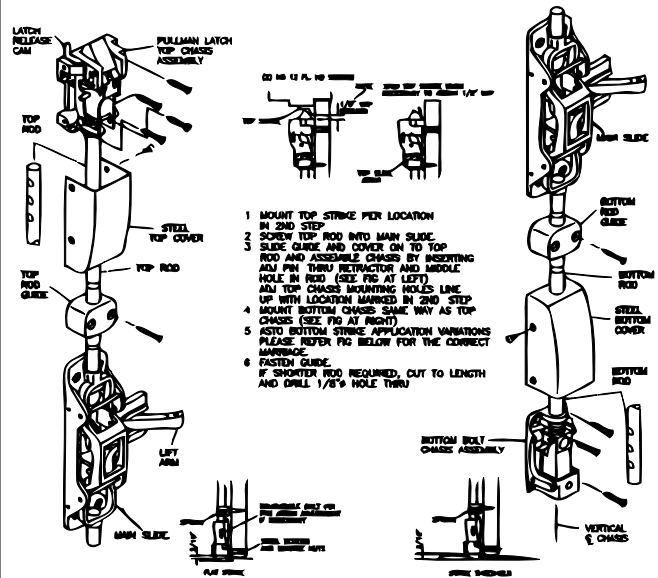
2 1/8" Ø BORE WHEN KNOB AND LEVER TRIM IS USED

# 3. APPLY HARDWARE

POSITION KNOB OR LEVER TRIM IN BORE HOLE AND ATTACH TO CHASSIS WITH (2) #10-32 FILLISTER HEAD MACHINE SCREWS

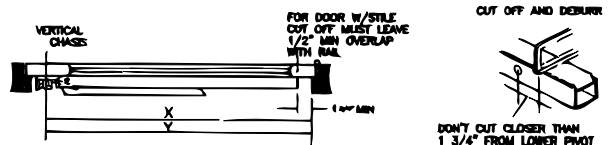


# 4. ATTACH TOP AND BOTTOM CHASSIS

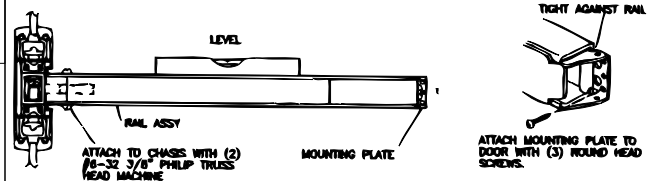


# 5. APPLY RAIL ASSEMBLY

- CHECK THE SIZE OF DEVICE, IF CUTTING TO LENGTH IS REQUIRED
- DETERMINE CUT OFF LENGTH "X" BY SUBTRACTING 1 3/4" FROM "Y". MARK CUT OFF POINT ON MOUNTING RAIL



- DREPRESS ARM INTO RAIL OPENING AND SLIDE RAIL ONTO CHASSIS. LEVEL RAIL AND FASTEN CHASSIS AND MOUNTING PLATE.



# 6. APPLY COVER

CHECK FINAL OPERATION OF DEVICE AND ADJUST, THEN FASTEN COVERS

