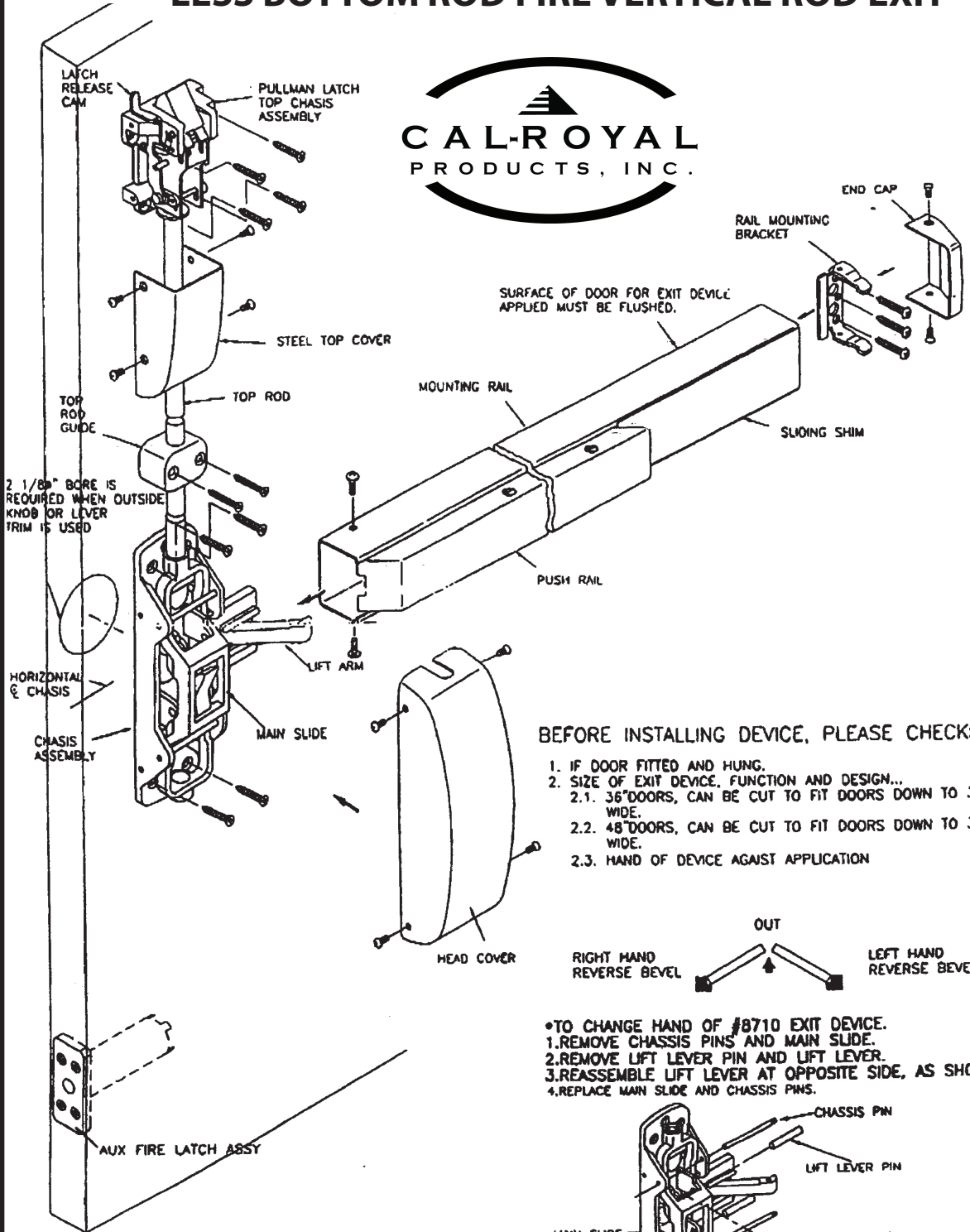
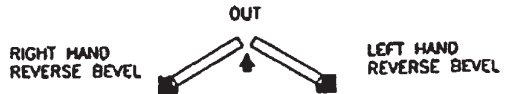


INSTALLATION INSTRUCTION FOR LESS BOTTOM ROD FIRE VERTICAL ROD EXIT

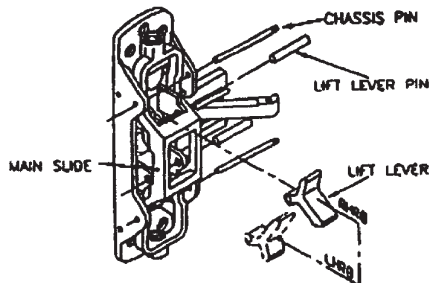


BEFORE INSTALLING DEVICE, PLEASE CHECK:

1. IF DOOR FITTED AND HUNG.
2. SIZE OF EXIT DEVICE, FUNCTION AND DESIGN...
 - 2.1. 36" DOORS, CAN BE CUT TO FIT DOORS DOWN TO 30" WIDE.
 - 2.2. 48" DOORS, CAN BE CUT TO FIT DOORS DOWN TO 36" WIDE.
 - 2.3. HAND OF DEVICE AGAINST APPLICATION



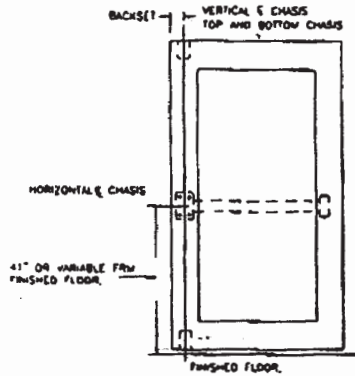
- TO CHANGE HAND OF #8710 EXIT DEVICE.
1. REMOVE CHASSIS PINS AND MAIN SLIDE.
 2. REMOVE LIFT LEVER PIN AND LIFT LEVER.
 3. REASSEMBLE LIFT LEVER AT OPPOSITE SIDE, AS SHOWN.
 4. REPLACE MAIN SLIDE AND CHASSIS PINS.



1. MARK VERTICAL AND HORIZONTAL REFERENCE LINE ON DOOR.

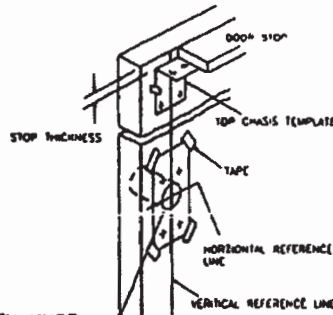
DETERMINE BACKSET TO LOCATE VERTICAL REFERENCE LINE.

1. IF LOCK STILE IS 4 1/2" WIDE OR WIDER, BACKSET IS 2 3/4".
2. IF LOCK STILE IS LESS THAN 4 1/2" WIDE, BACKSET IS HALF OF THE EXPOSED WIDTH OF LOCK STILE.



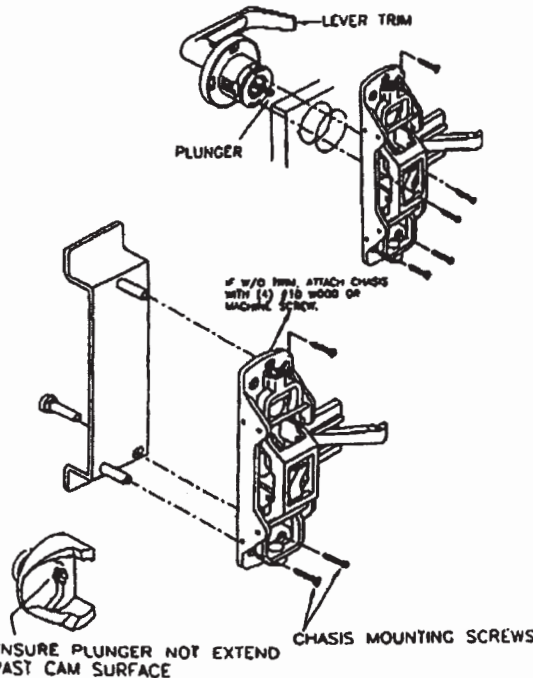
2. PREPARE DOOR

TAPE TEMPLATE ON INSIDE OF DOOR ALONG REFERENCE LINE. SPOT AND DRILL HOLE.

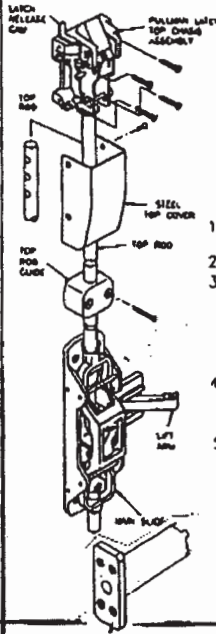


2 1/8" BORE WHEN KNOB AND LEVER TRIM IS USED.

3. APPLY HARDWARE



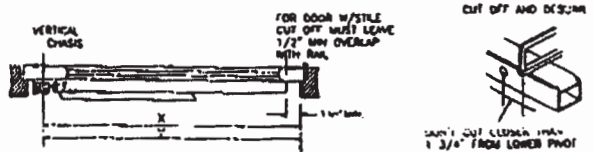
4. ATTACH TOP AND BOTTOM CHASIS



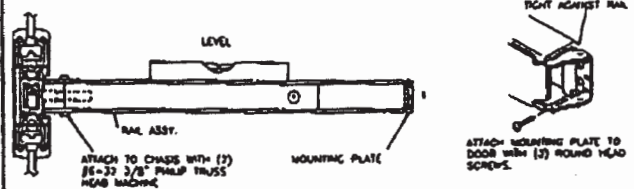
1. MOUNT TOP STRIKE PER LOCATION IN 2ND STEP.
2. SCREW TOP ROD INTO MAIN SLIDE.
3. SLIDE GUIDE AND COVER ON TO TOP ROD AND ASSEMBLE CHASIS BY ADJ. PIN THRU RETRACTOR AND MIDDLE HOLE IN ROD (SEE FIG AT LEFT) & ADJ. TOP CHASIS MOUNTING HOLES UP WITH LOCATION MARKED IN 2ND STEP.
4. FASTEN GUIDE. IF SHORTER ROD REQUIRED, CUT TO LENGTH AND DRILL 1/8" HOLE THRU.
5. Apply Aux Fire Latch Ass'y per attached Template for Aux Fire Latch

5. APPLY RAIL ASSEMBLY

1. CHECK THE SIZE OF DEVICE, IF CUTTING TO LENGTH IS REQUIRED.
2. DETERMINE CUT OFF LENGTH "X" BY SUBTRACTING 1 3/4" FROM "Y". MARK CUT OFF POINT ON MOUNTING RAIL.



3. DEPRESS ARM INTO RAIL OPENING AND SLIDE RAIL ONTO CHASIS. LEVEL RAIL AND FASTEN CHASIS AND MOUNTING PLATE.



6. APPLY COVER

CHECK FINAL OPERATION OF DEVICE AND ADJUST, THEN FASTEN COVERS.

