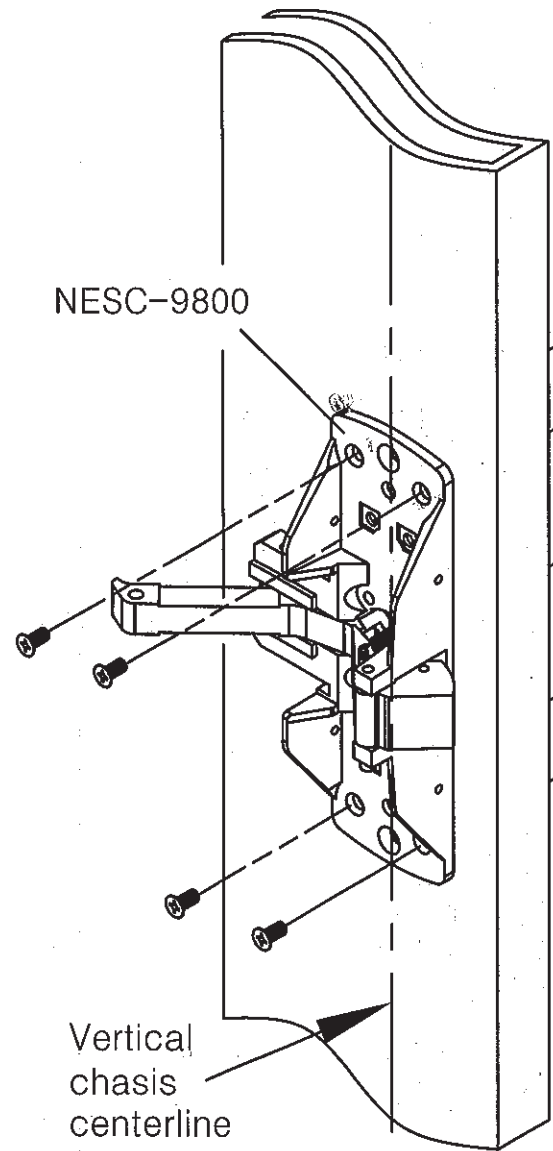
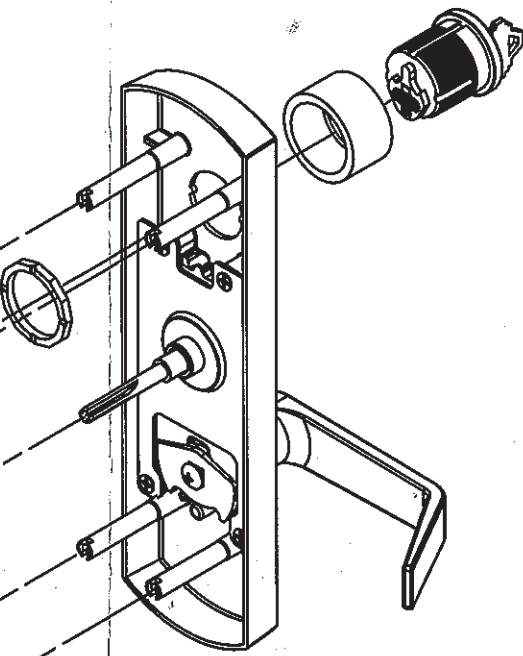
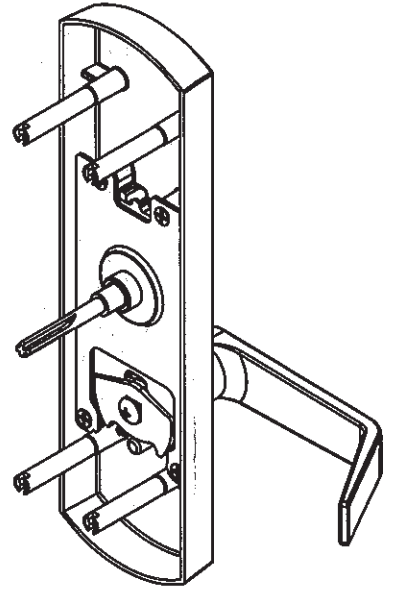
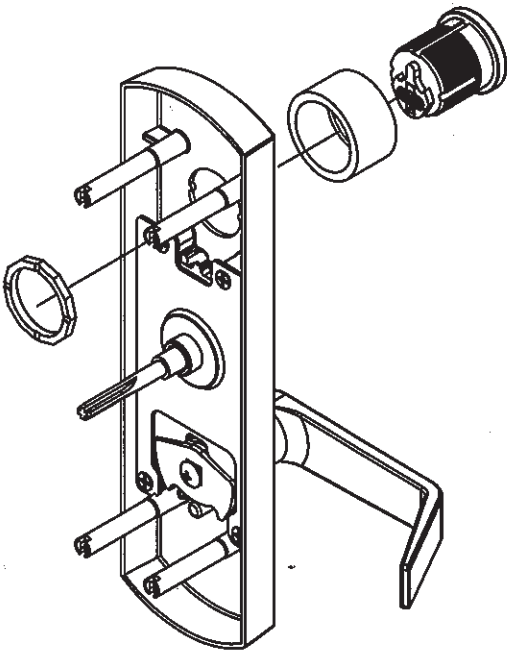
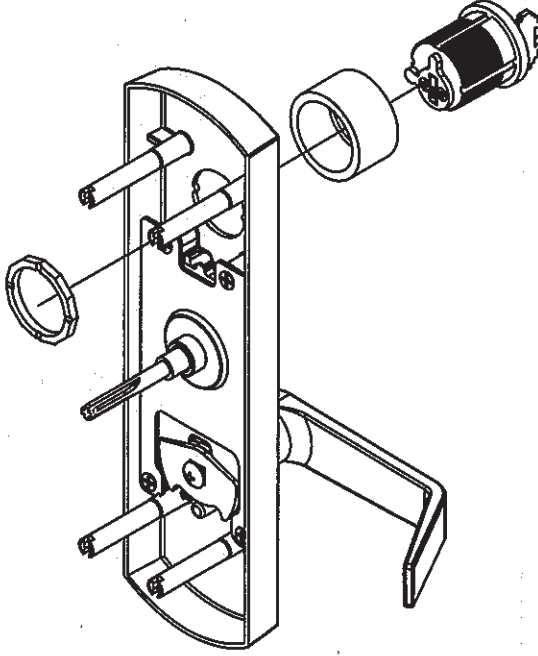


INSTRUCTIONS FOR CAL-ROYAL NESC TRIM FOR 9800 SERIES EXIT DEVICE

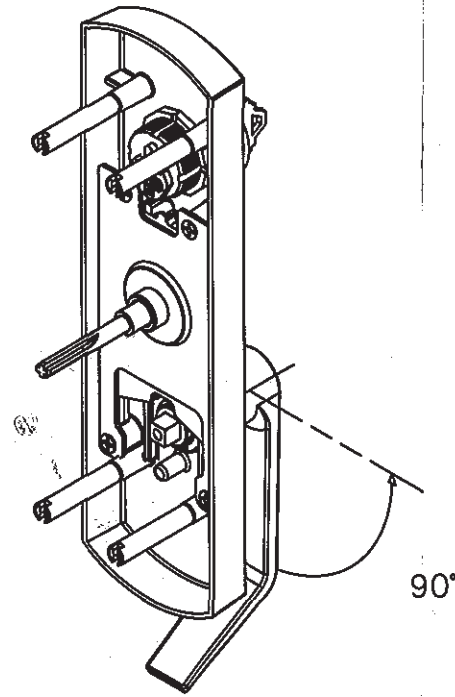


NESC-9800	NESC-9830	NESC-9840	NESC-9805
 <p>Lockable Nesc Lever Trim Key locks & Unlocks Lever</p>	 <p>No Cyl, Trim Always Operable</p>	 <p>Pull when Push bar locked down Dummy Nesc Lever Trim</p>	 <p>Key unlock Nesc Lever, Key remained on Cyl unless Locked. Cyl Nesc Lever Trim</p>
<p>13 function Entrance</p>	<p>15 function Passage</p>	<p>10 function Dummy</p>	<p>04 function Storeroom</p>
<p>Attach the collar and mortise cyl to the nesc case with mortise nut, attach case to door thru bolting (4) screws to the chasis, aligning spindle to hub</p>	<p>Attach nesc case to door thru bolting the (4) screws to the chasis, allaning spindle to hub of the Chasis</p>	<p>Attach the collar and dummy cyl to the nesc case with mortise nut, attach case to door thru bolting (4) screws to the chasis,</p>	<p>Attach the collar and mortise cyl to the nesc case with mortise nut, attach case to door thru bolting (4) screws to the chasis, aligning sprindle to hub</p>

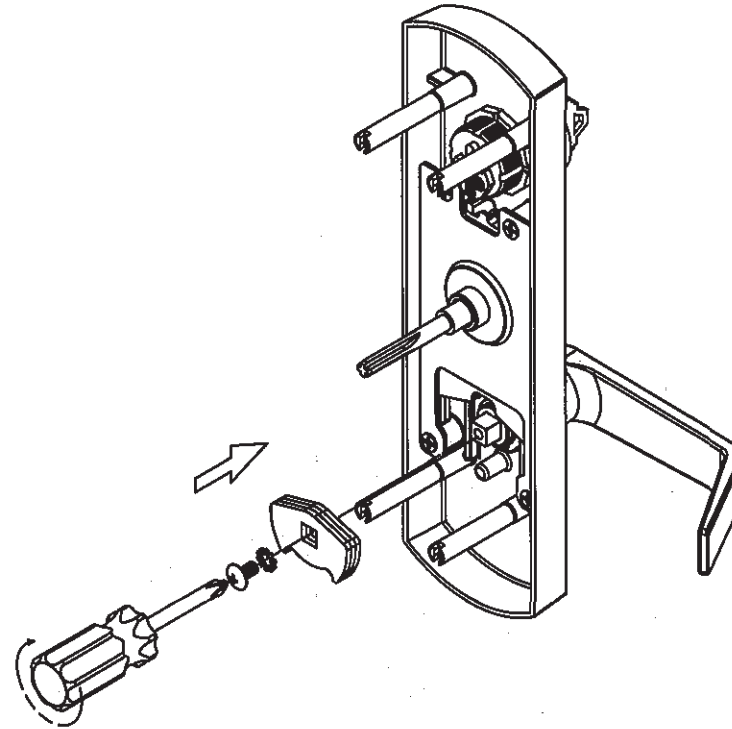
CAL-ROYAL NESC Lever Trim For 9800 Series

Method of Changing Hand of Lever LHR(Reverse Step for RHR)

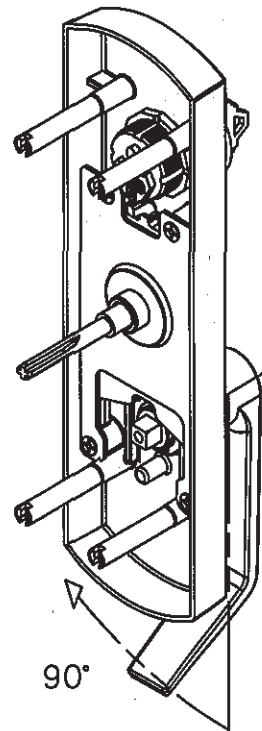
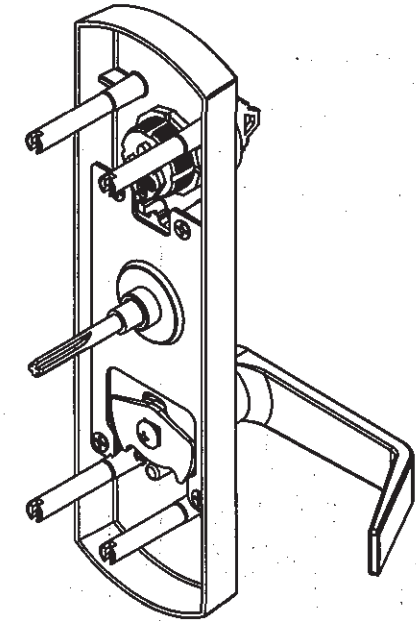
1. Rotate lever to LHR positioned at 90°



2. Place and fasten cam piece with locked type washer and screw

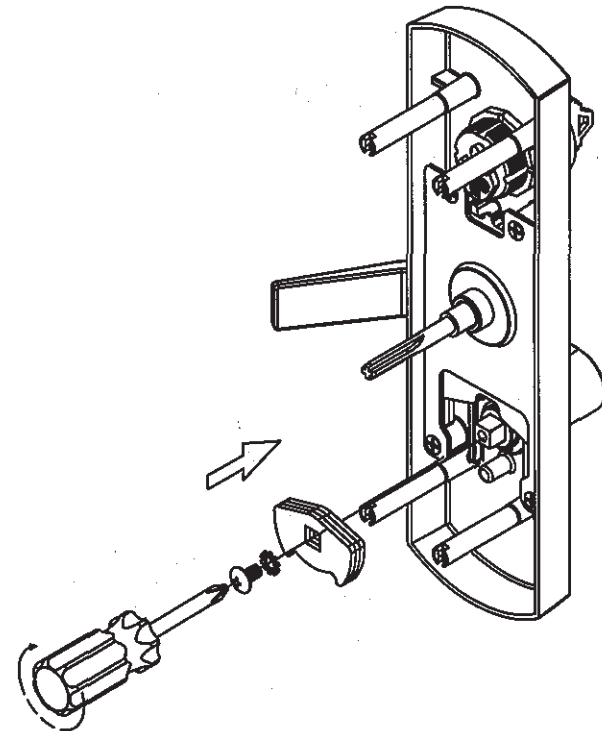


3. Done

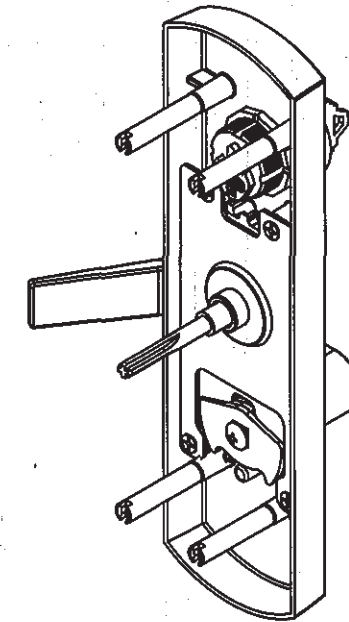


1. Rotate lever to RHR positioned at 90°

2. Place and fasten cam piece with locked type washer and screw



3. Done



TEMPLATE

For NESC-98 ESC Lever Trim
for 9800 Series Rim & Vertical
Rod Device

For **9800 Series** Rim &
Vertical Rod Device
3/8" Ø thru door (4)
two places

