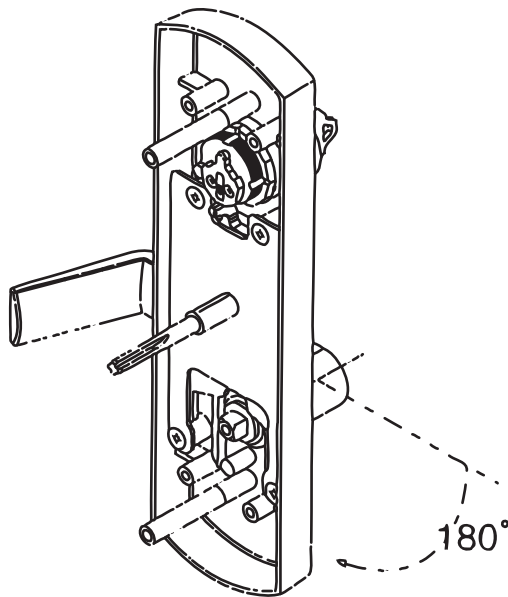


NESC Lever Trim for 9800/9860V Series

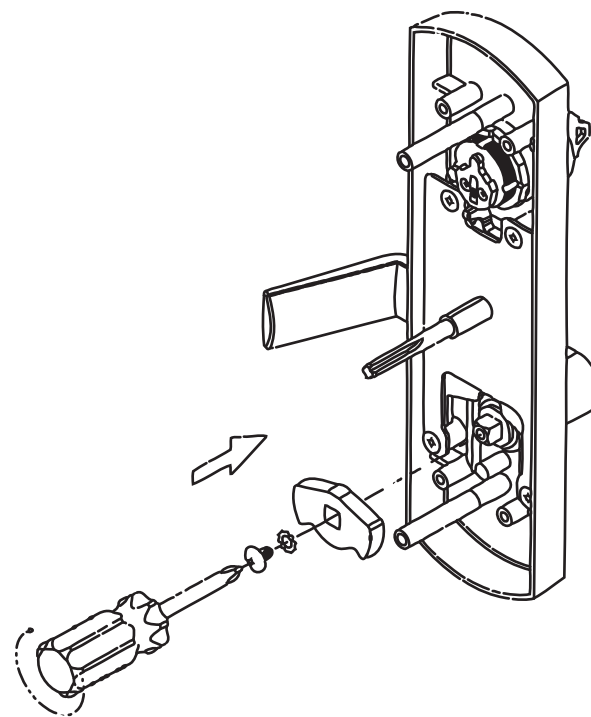


Instructions for reversing hand of lever, RHR

1. Rotate lever to LHR positioned at 180 degrees



2. Place and fasten cam piece with locked type washer and screw



3. Done

