

# CR550 SERIES

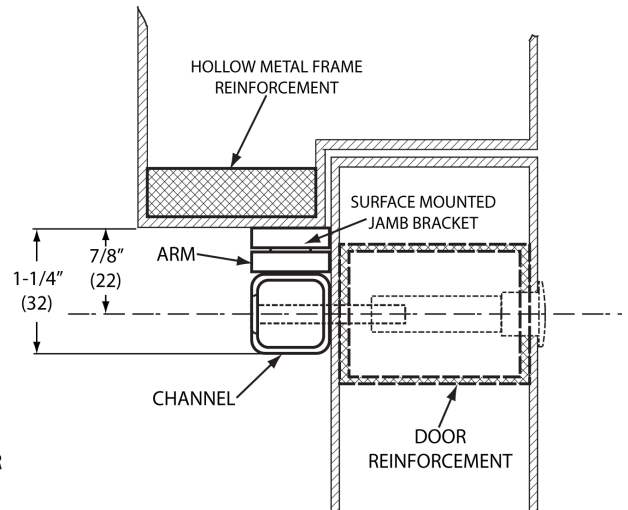
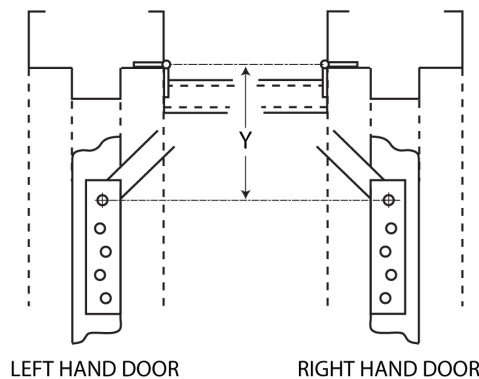
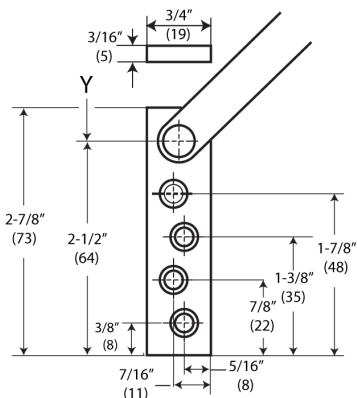
## OVERHEAD DOOR HOLDERS AND STOPS

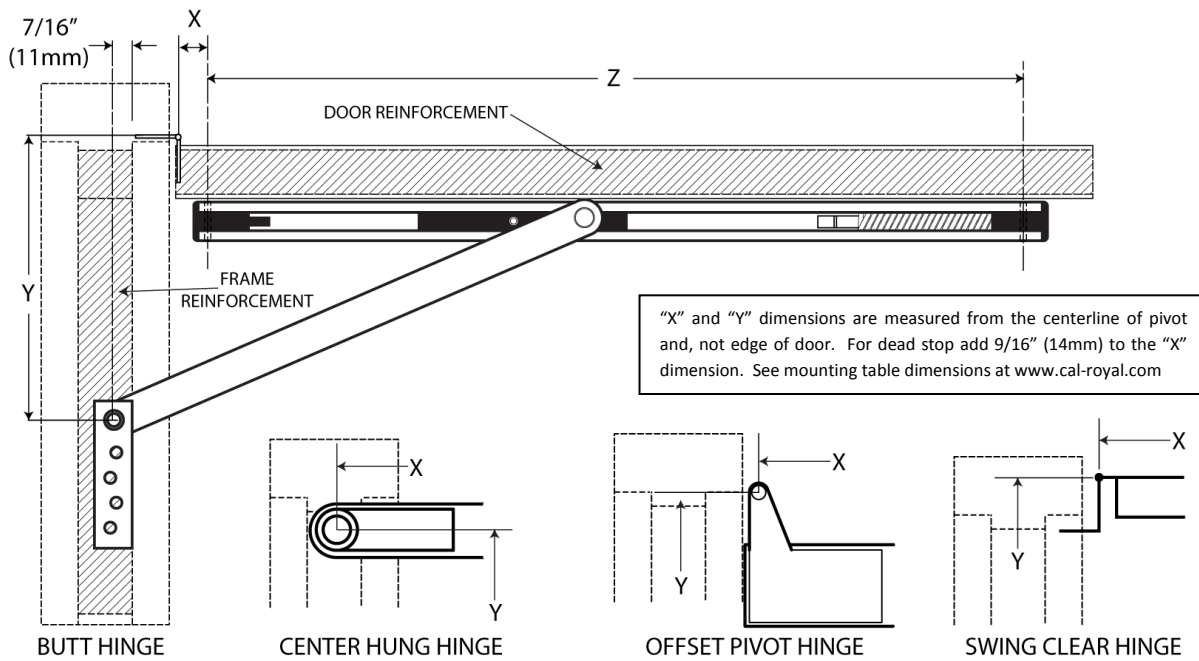
- Limits door swing
- Non-Handed / Reversible
- Built-in cushioned stop
- Available stop only or stop/hold
- Automatic hold-open and release by push and pull on door
- Hold-open can be disengaged to act as stop only
- Heavy shock absorber spring provides compression before dead stop
- Screw packet included to allow for installation in wood or metal door and frame
- Maximum opening 110°, minimum door thickness 1 3/8"
- Available in architectural finishes
- UL Listed as STOP Function



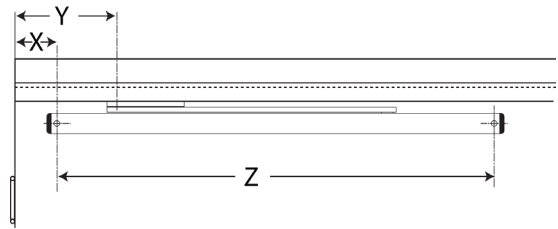
### ANSI A.156.8 • UL LISTED

ITEM NUMBER	SIZE	DOOR OPENING	FUNCTION	<p>Cal-Royal CR550 series holders and stops are designed for medium to light-duty applications. Generally used for openings that is subject to normal traffic activity, thus extending the life of doors, frames, hinges and walls or obstructions.</p> <p><b>Material:</b> Channel is made of steel or stainless steel 3/4" deep, 3/4" wide and 0.050" thick; arm is made of steel or stainless steel 3/4" wide, 3/16" thick; standard jamb bracket is made of steel or stainless steel 3/4" wide, 2 7/8" long, 3/16" thick.</p> <p><b>Finish:</b> Available in architectural finishes. UL Listed for STOP only function.</p>
CR552S	2	23-1/16" - 27"	STOP ONLY	
CR553S	3	27-1/16" - 33"		
CR554S	4	33-1/16" - 39"		
CR555S	5	39-1/16" - 45"		
CR552H	2	23-1/16" - 27"	HOLD OPEN	
CR553H	3	27-1/16" - 33"		
CR554H	4	33-1/16" - 39"		
CR555H	5	39-1/16" - 45"		





SCREW DETAILS			
	QTY	WOOD	METAL
JAMB	4	#10 X 1-1/2" FPHSMS	10-32 X 1/2" FPHMS
DOOR	2	10-24 X 1-9/16" SEX BOLTS	10-24 X 1-9/16" SEX BOLTS
	2	10-24 X 1-1/2" PPHMS	10-24 X 1-1/2" PPHMS



Cal-Royal CR550 Series holders and stops are designed to give dependable surface-mounted overhead door control for medium to light duty applications. It comes in a wide assortment of architectural finishes to match any design. The CR550 series holders and stops can be installed in almost all types of doors and frames including doors with conventional butt hinges, offset pivots, continuous hinges, swing clear hinges and other specialty hinges. They can be mounted to accommodate 85° - 110° door opening. Each door holder and stop models come in four different sizes.

### OVERHEAD STOPS AND HOLDERS CROSS-REFERENCE CHART

CAL-ROYAL	GLYNN JOHNSON	ABH	ROCKWOOD	RIXSON	DORMA
<b>STOP ONLY</b>					
CR552S	452S	4421	14421	10-236	701S
CR553S	453S	4422	14422	10-336	702S
CR554S	454S	4423	14423	10-436	703S
CR555S	455S	4424	14424	10-536	
<b>HOLDER</b>					
CR552H	452H	4411	14411	10-226	701H
CR553H	453H	4412	14412	10-326	702H
CR554H	454H	4413	14413	10-426	
CR555H	455H	4414	14414	10-526	703H