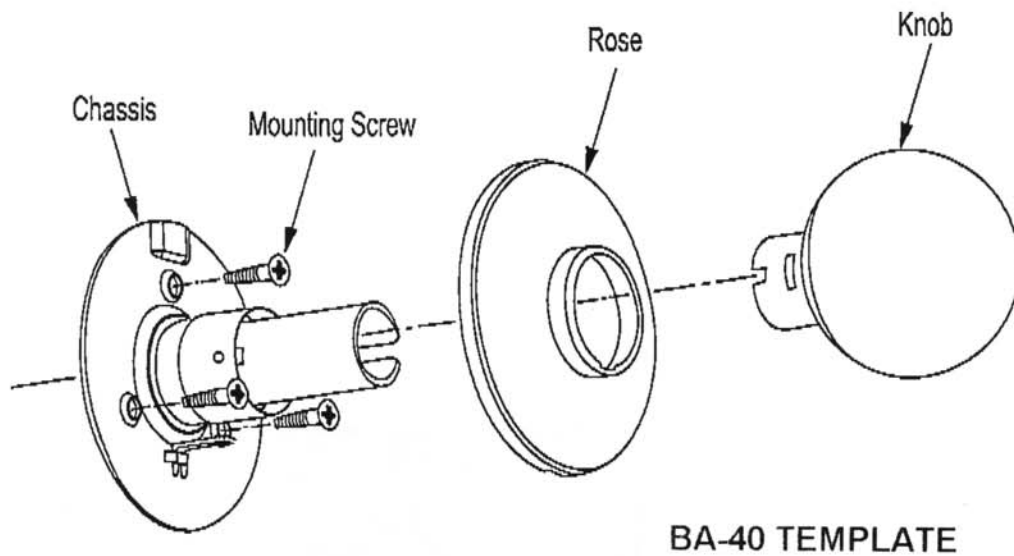


HOW TO INSTALL DUMMY TRIM

1



2

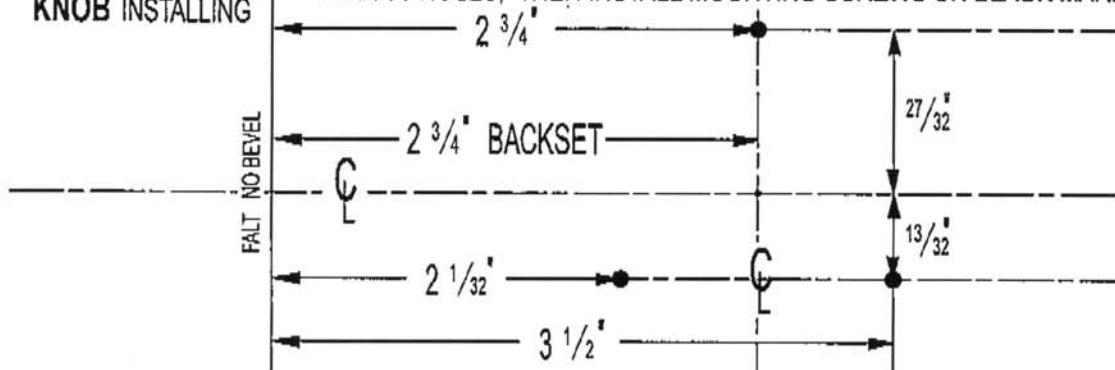
1. Install chassis at proper position on the door by provided three mounting screws.
2. Fit the Rose to chassis.
3. Push the Knob with chassis.

3

TEMPLATE FOR
KNOB INSTALLING

※ IMPORTANT

161 DOOR PREP (2 1/8" HOLE) NOT REQUIRED ON EITHER SIDE OF DOOR.
MARK 3 HOLES, THEN INSTALL MOUNTING SCREWS ON BLACK MARKS.



This door preparation is oriented for right hand and right hand reverse doors. For left hand and left reverse doors mounting screw location must be rotated 180°