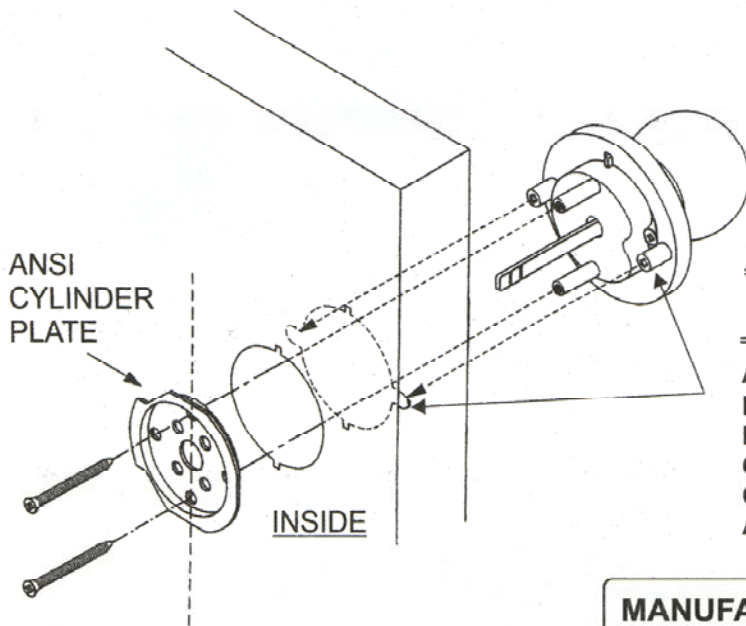


INSTALLATION INSTRUCTIONS FOR TRIM OF PANIC EXIT DEVICE

WHEN YOUR DOOR HAS CYLINDRICAL LOCK CUT-OUT



NOTE:

IMPORTANT!

ALIGNMENT STUDS **MUST** ENTER INTO (2) 5/16" FIELD DRILLED HOLES ON OUTSIDE OF DOOR (EXISTING SLOTS CAN BE ELONGATED WITH A FILE).

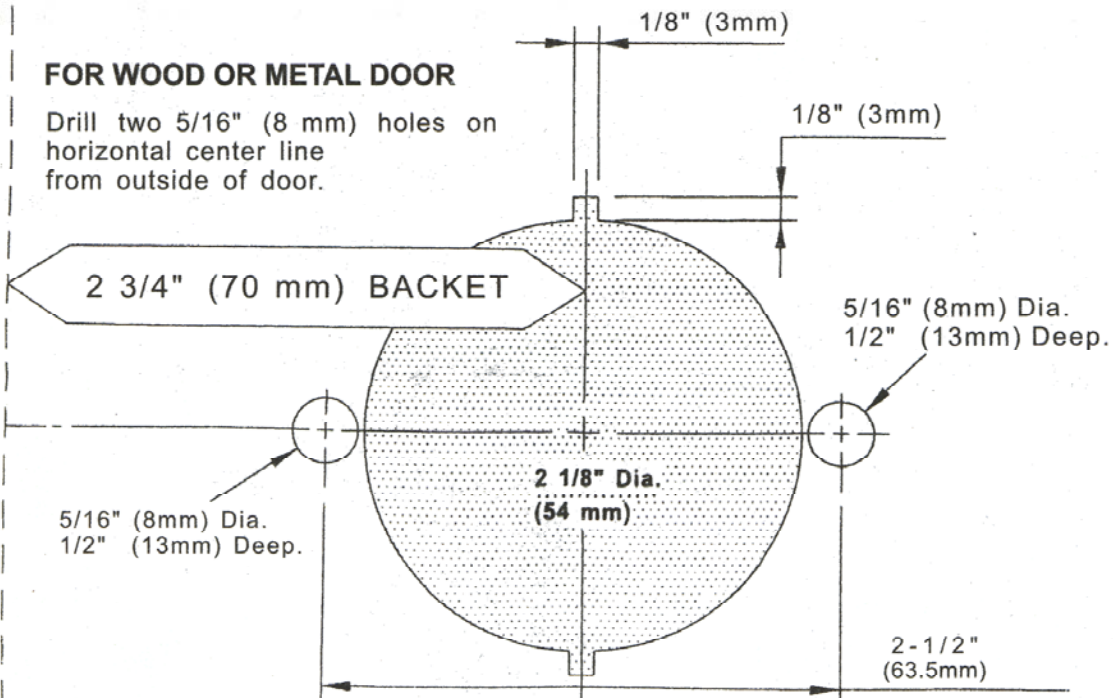
MANUFACTURER'S WARRANTY INVALID IF SECURITY STUDS ARE REMOVED.

FOLD AND ALIGN TEMPLATE ON EDGE OF DOOR

TEMPLATE

FOR WOOD OR METAL DOOR

Drill two 5/16" (8 mm) holes on horizontal center line from outside of door.



**PLACE TEMPLATE ON
HIGH EDGE OF BEVEL**