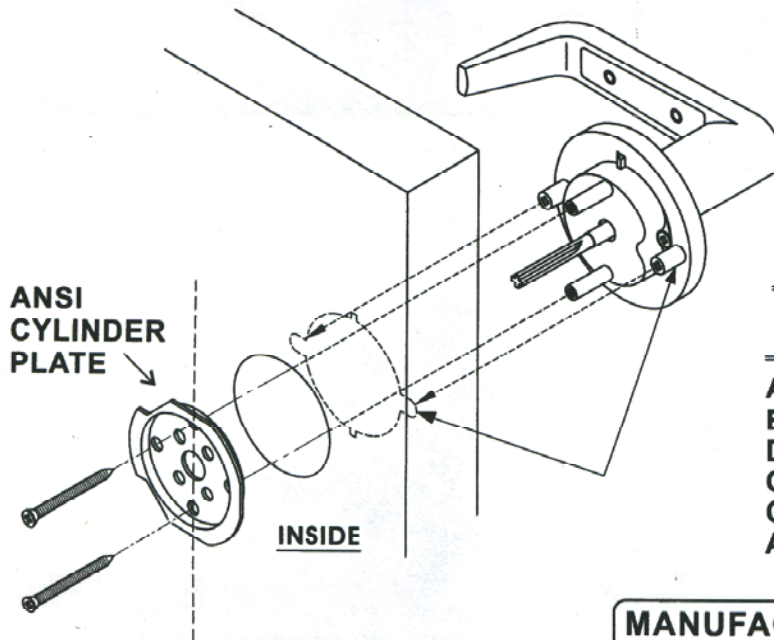


# INSTALLATION INSTRUCTIONS FOR TRIM OF PANIC EXIT DEVICE WITH CLUTCH FEATURE

WHEN YOUR DOOR HAS CYLINDRICAL LOCK CUT-OUT



## NOTE:

### IMPORTANT!

ALIGNMENT STUDS MUST ENTER INTO (2) 5/16" FIELD DRILLED HOLES ON OUTSIDE OF DOOR (EXISTING SLOTS CAN BE ELONGATED WITH A FILE).

**MANUFACTURER'S WARRANTY INVALID  
IF SECURITY STUDS ARE REMOVED.**

FOLD AND ALIGN TEMPLATE ON EDGE OF DOOR

## TEMPLATE

### FOR WOOD OR METAL DOOR

Drill two 5/16" (8 mm) holes on horizontal center line from outside of door.

2 3/4" (70 mm) BACKSET

5/16" (8mm) Dia.  
1/2" (13mm) Deep.

PLACE TEMPLATE ON  
HIGH EDGE OF BEVEL

