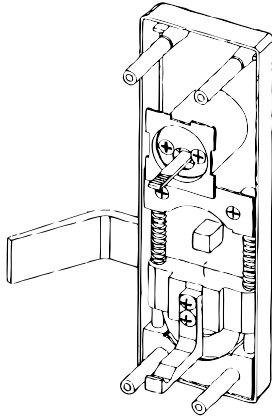


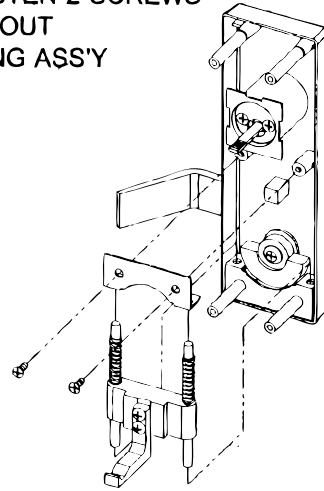


## #4400 ESC LEVER TRIM METHOD OF CHANGING HAND OF LEVER HANDLE

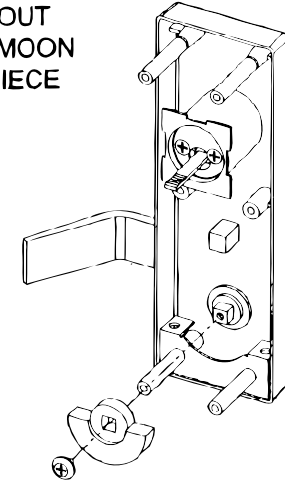
1. TRIM SUPPLIED RHR



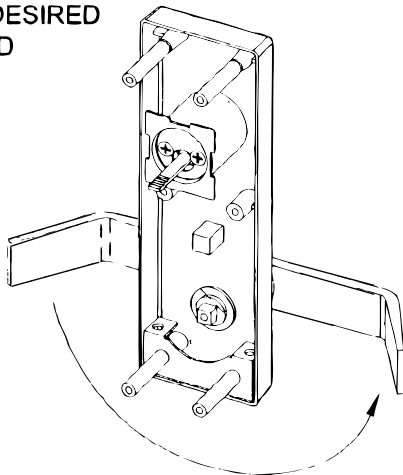
2. UNFASTEN 2 SCREWS  
TAKE OUT  
SLIDING ASS'Y



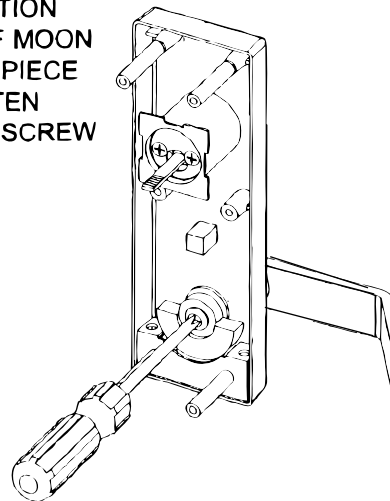
3. UNFASTEN HUB SCREW  
TAKE OUT  
HALF MOON  
HUB PIECE



4. ROTATE LEVER  
TO DESIRED  
HAND



5. POSITION  
HALF MOON  
HUB PIECE  
FASTEN  
HUB SCREW



6. MOUNT SLIDING  
ASS'Y  
FASTEN 2  
SCREWS.

DONE

