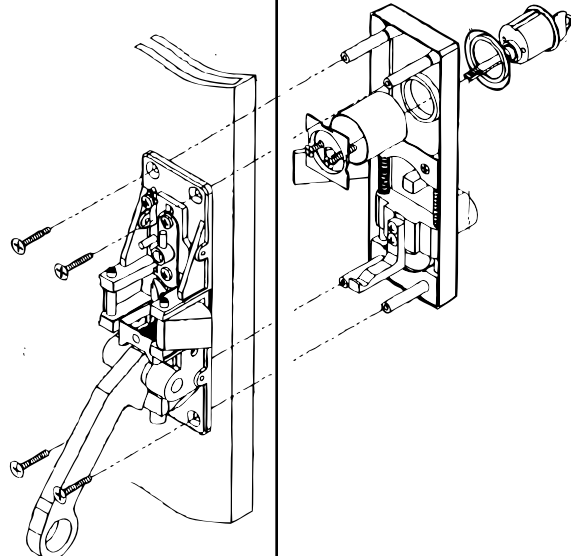
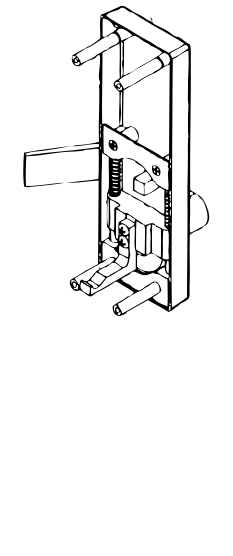
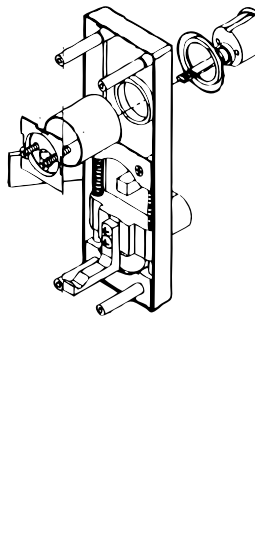
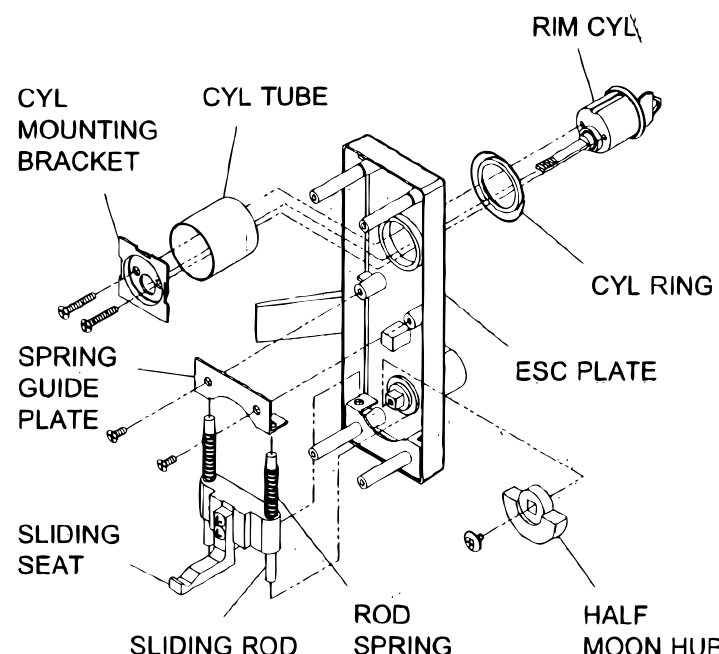


INSTRUCTION FOR CAL-ROYAL ESC LEVER TRIM FOR #4400 SERIES DROP DOWN BAR EXIT DEVICE

ESC - 4400	ESC - 4430	ESC - 4440			
					
13 FUNCTION	15 FUNCTION	10 FUNCTION			
<p>ATTACH RIM CYL AND RING TO THE ESC CASE ATTACH CASE TO DOOR THRU BOLTING (4) SCREWS TO THE CHASIS. ALIGN HOOK UP SPINDLE TO THE OPERATING LIFT.</p>	<p>ATTACH ESC CASE TO DOOR THRU BOLTING (4) SCREWS TO THE CHASIS. ALIGN HOOK UP SPINDLE TO THE OPERATING LIFT.</p>	<p>ATTACH THE COLLAR AND DUMMY CYL TO THE ESC ATTACH CASE TO DOOR THRU BOLTING (4) SCREWS TO THE CHASIS. ALIGN HOOK UP SPINDLE TO THE OPERATING LIFT.</p>			

