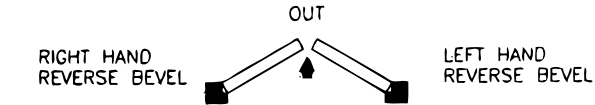


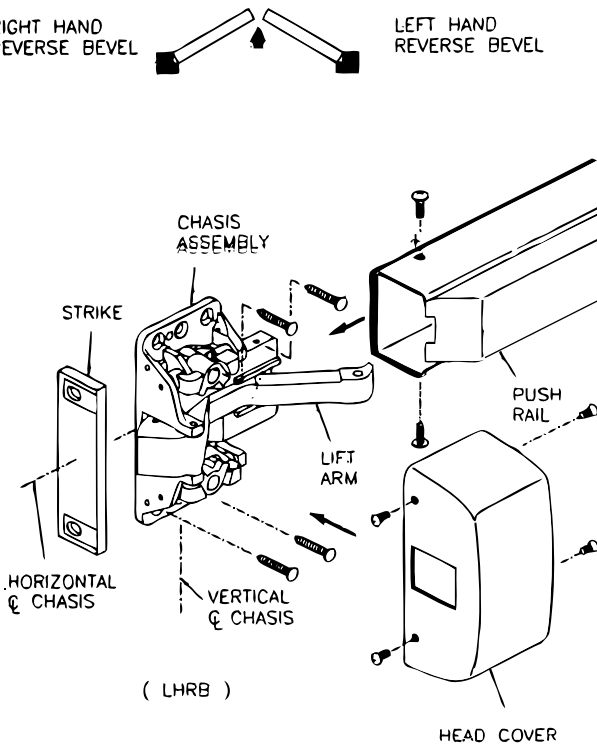
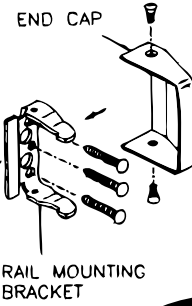
INSTALLATION INSTRUCTION FOR #F22EO SERIES FIRE RIM EXIT DEVICE

BEFORE INSTALLING DEVICE, PLEASE CHECK:

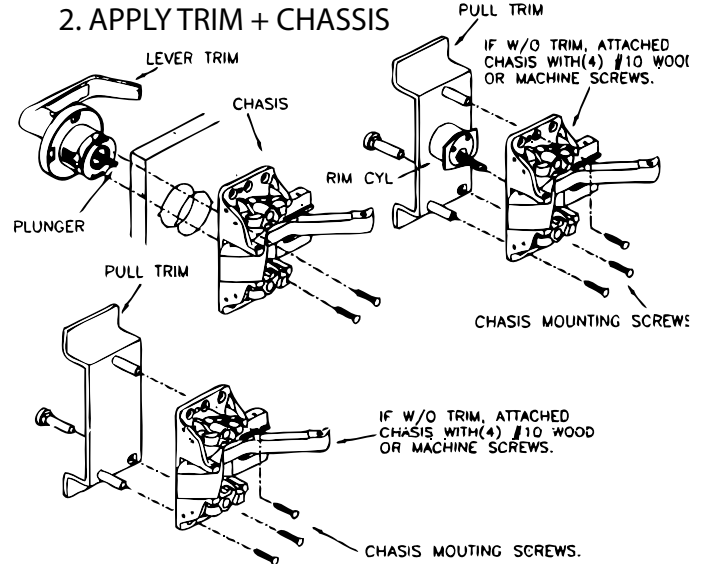
- IF DOOR FITTED AND HUNG.
SIZE OF EXIT DEVICE, FUNCTION AND DESIGN...
2.1. 36" DOORS, CAN BE CUT TO FIT DOORS DOWN TO 30" WIDE.
2.2. 48" DOORS, CAN BE CUT TO FIT DOORS DOWN TO 36" WIDE.
2.3. HAND OF DEVICE AGAINST APPLICATION.



SURFACE OF DOOR FOR EXIT DEVICE APPLIED MUST BE FLUSHED.

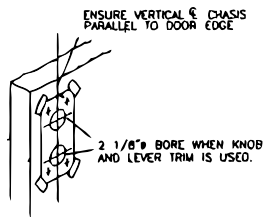


2. APPLY TRIM + CHASSIS

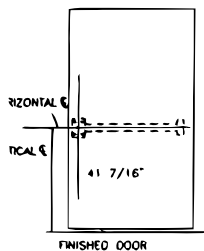


1. PREPARE DOOR

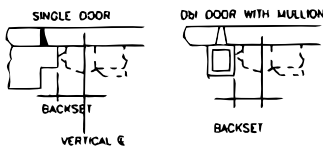
- FOR 2 1/8" Ø BORE PREP POSITION TEMPLATE OVER EXITING HOLE AND MARK FOR TWO CHASSIS MOUNTING SCREW HOLES.



- FOR DOOR W/O BORE PREP, MARK VERTICAL & CHASSIS AND HORIZONTAL & CHASSIS USING DIMENSIONS BELOW.



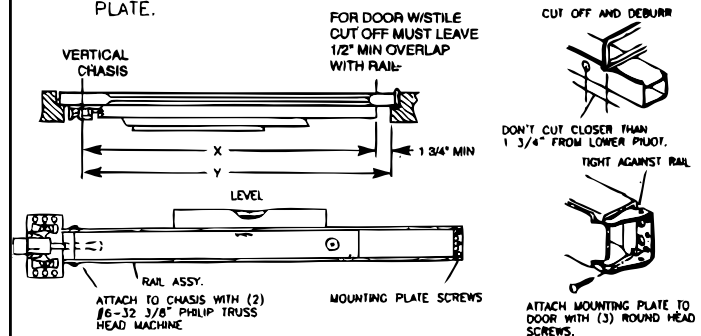
IDENTIFY TYPE OF INSTALLATION TO DETERMINE LOCATION OF VERTICAL & CHASSIS



- STRIKE FOR BACKSET 2 1/4"
- STRIKE FOR BACKSET 1 3/4"
- STRIKE FOR BACKSET 2 1/4"
- STRIKE FOR BACKSET 1 1/2"

3. APPLY RAIL ASSEMBLY

- CHECK THE SIZE OF DEVICE, IF CUTTING TO LENGTH IS REQUIRED.
- DETERMINE CUT OFF LENGTH "X" BY SUBTRACTING 1 3/4" FROM "Y". MARK CUT OFF POINT ON MOUNTING RAIL.
- DREPRESS ARM INTO RAIL OPENING AND SLIDE RAIL ONTO CHASSIS. LEVEL RAIL AND FASTEN CHASSIS AND MOUNTING PLATE.



4. APPLY COVER AND STRIKES

