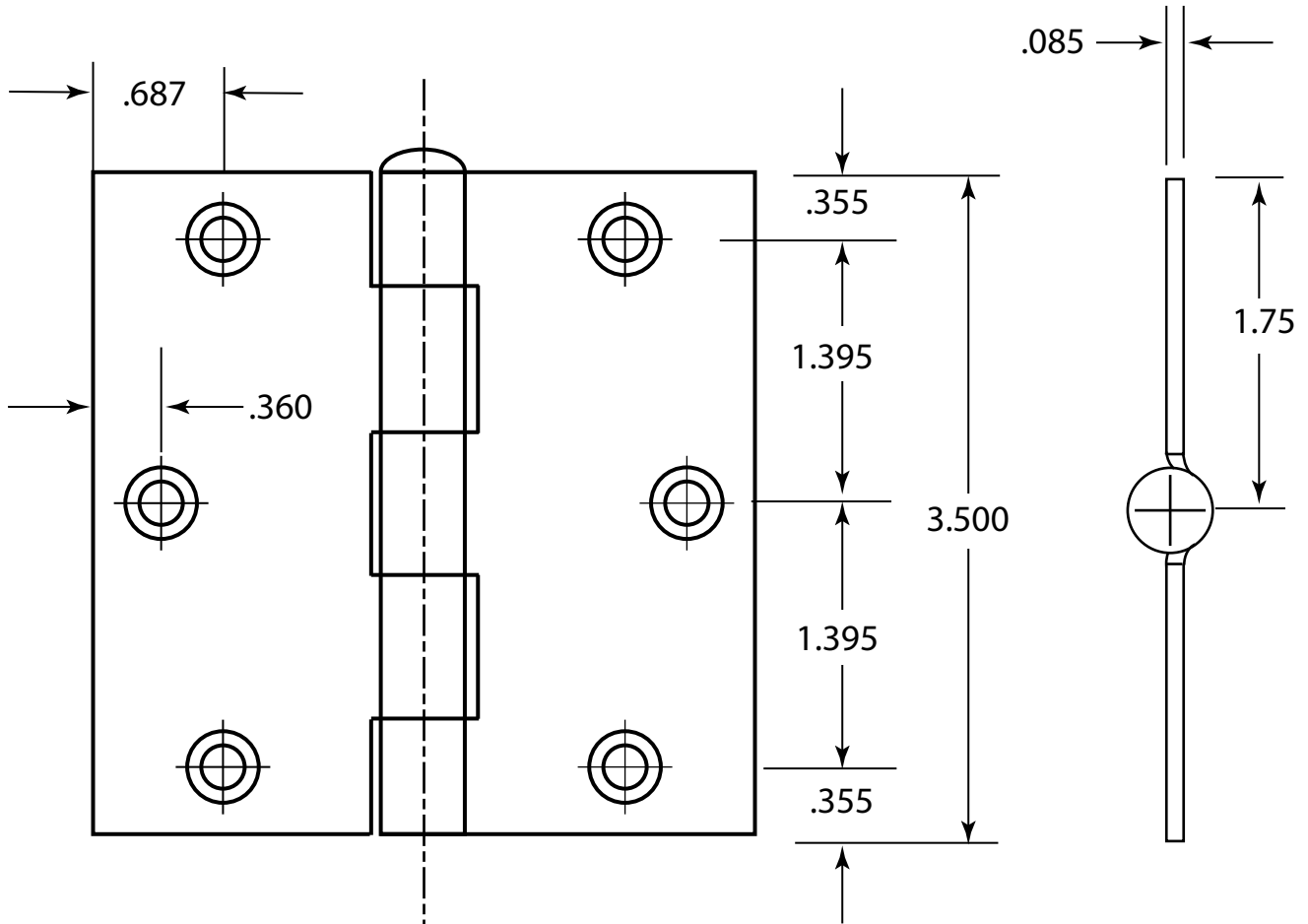


RESIDENTIAL WEIGHT
HINGE TEMPLATE
3-1/2" X 3-1/2"



RH90
SQUARE CORNER