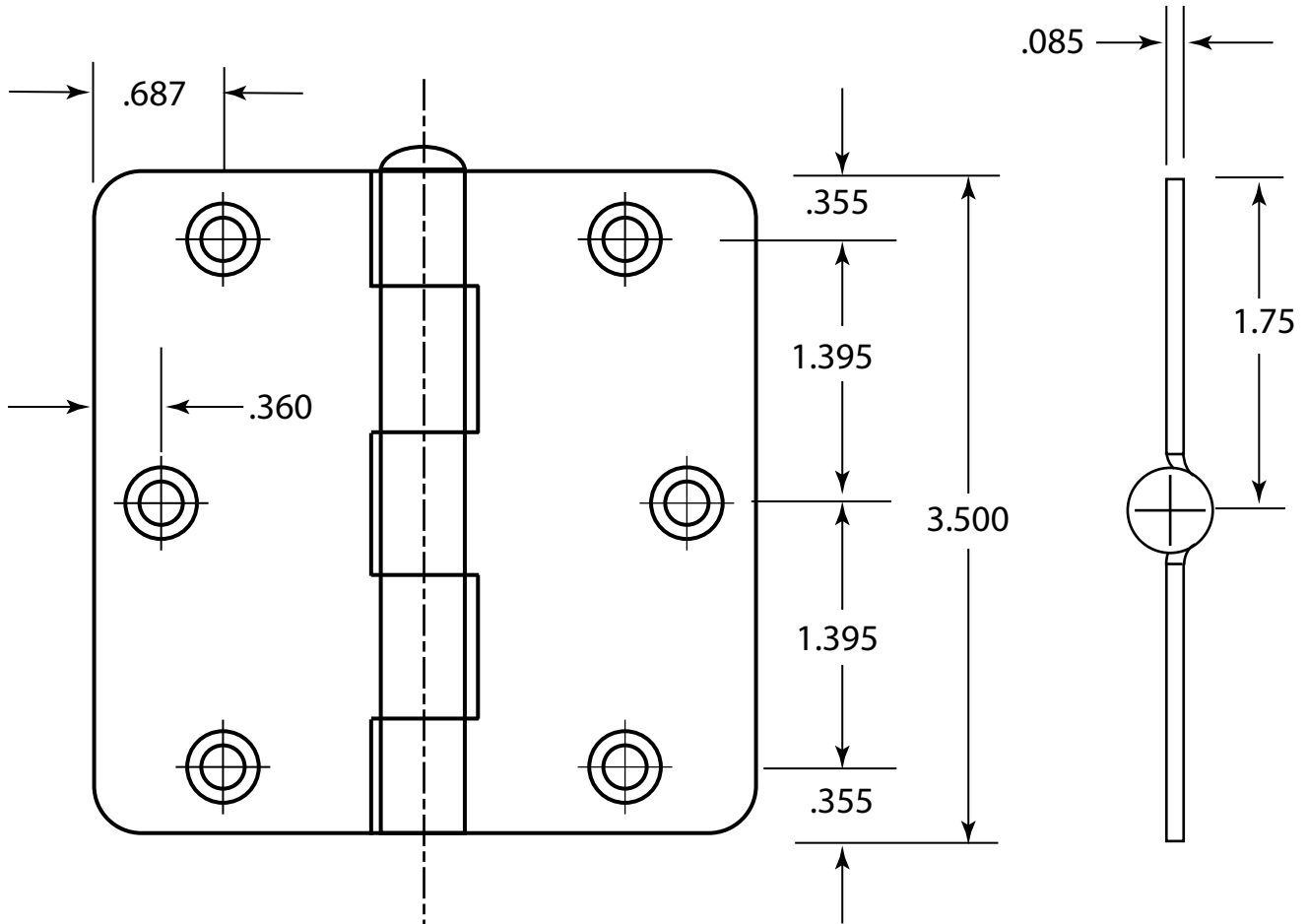


RESIDENTIAL WEIGHT  
HINGE TEMPLATE  
3-1/2" X 3-1/2"



**TBHRC-45**  
**1/4" CORNER RADIUS**