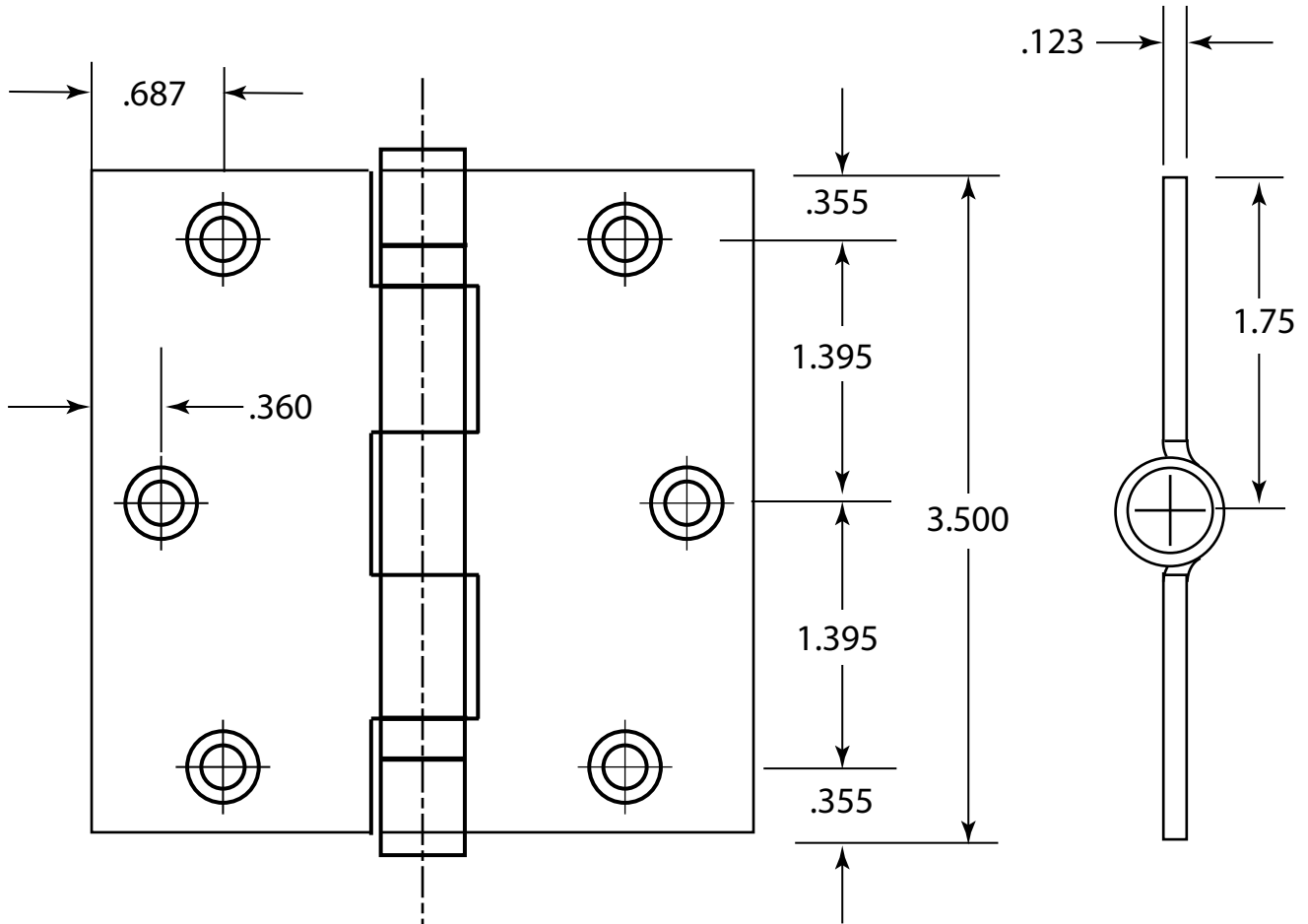


STANDARD WEIGHT HINGE  
FULL MORTISE TEMPLATE  
3-1/2" X 3-1/2"



**BBSC-77**  
**SQUARE CORNER**