



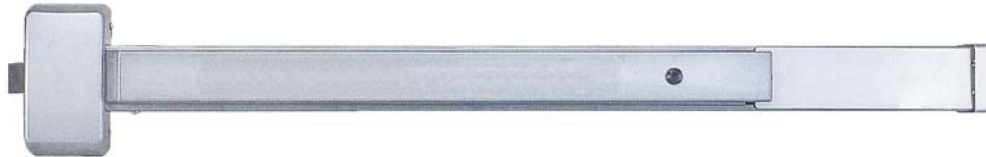
# CAL-ROYAL

PRODUCTS, INC. U.S.A.



2200 & F2200 Rim Type Panic And Fire Exit Devices  
(ADA Optional)

2260 & F2260 Vertical Rod Panic And Fire Exit Devices  
(ADA Optional)  
**ANSI A156.3, Grade 1**



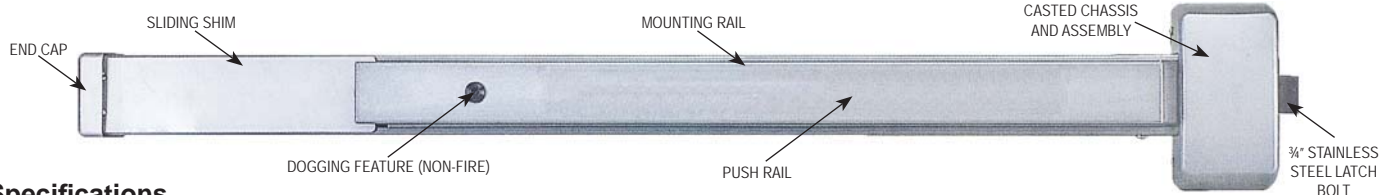
## Features & Construction

- ◆ **Retrofits Sargent 12-2828 & 12-2838 Series**
- ◆ Americans with Disability Act (ADA) compliant. 5 lbs opening force on ADA product only
- ◆ ANSI A156.3, Grade 1 heavy duty exit device in surface vertical rod and rim designs
- ◆ UL Listed for Panic and UL10C, UBC 7-2-1997 codes
- ◆ UL Listed for Fire Exit Hardware. 3 Hours
- ◆ Conforms & Meets ADA Regulations (ADA product only)
- ◆ (A) label rating in pairs of doors up to 8'0" x 8'0" swinging in same or opposite directions
- ◆ Uncompromising security and safety in single and double fire exit doors
- ◆ Chassis mounted unit construction
- ◆ Available in many different functions. Lever and escutcheon trims are grade 1 construction with clutch on rose trims. Escutcheon trims are rigid and covers 161 cut out.

## Suggested Architect's Specifications

- ◆ All exit devices shall be of touch bar design with smooth operation and be operative over 2/3 of the door's clear opening width
- ◆ All exit devices must be listed under "Panic Hardware" in the Accident Equipment List of Underwriters' Laboratories, Inc. Where labeled doors are used as exits, they must be equipped with labeled Fire Exit Hardware and UL10C, UBC 7-2-1997 codes
- ◆ All springs shall be of Stainless Steel throughout
- ◆ All exit devices shall be of chassis mounted unit construction.
- ◆ All exit devices shall be ANSI A156.3, Grade 1

# 2200 & F2200 Series A2200 & AF2200 ADA Series GRADE 1 Rim Type Exit Device



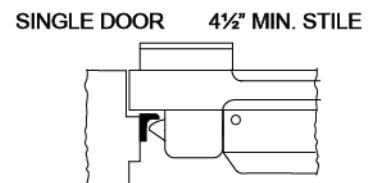
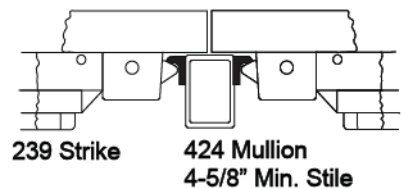
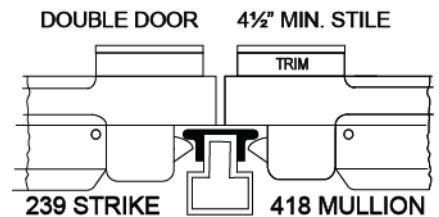
## Specifications

For Doors.....	1 3/4" thick standard optional 2 1/4" thick. 4 1/2" minimum stile width required for single or double door application using standard 239 strike and pull or lever trims
ADA Series.....	Prefix "A" before the MODEL #
Chassis.....	Non-ferrous alloy (Panic Grade), steel (Fire Grade)
Cover.....	Nonferrous alloy. Covers stock hollow metal doors with 161 cutout
Mounting.....	Furnished standard with wood and machine screws. Available with thru bolts on request. Thru bolts are standard packaging on fire rated devices.
End Cap.....	Steel construction
Alarm.....	Available. See page 59
Hand.....	Non handed, center hub. 2 3/4" backset
Latch Bolt.....	Stainless steel 3/4" throw
Spring.....	Stainless steel throughout
ANSI Standard.....	A156.3, Grade 1
Rail Assembly.....	Heavy gauge steel, painted
Strike.....	239 packed standard (See strike page)
Dogging Feature.....	Allen-type key furnished standard on non-fire labeled devices. Cylinder dogging available
Mullion.....	Available
UL and ULC Listed.....	2200 Series for panic. F2200 Series for fire exit hardware for all types of 4' x 8' single doors and 8' x 8' double doors for up to 3 hour fire labeled installations, conforms to standards UL10C and UBC 7-2-1997 codes
Finish.....	Aluminum (Alum), Dark Bronze Duranodic (Duro), Gold
Electronic Functions.....	(ELR) Electrical Latch Retraction and RX & LX Signal Switch available

**\*Americans with Disability Act (ADA) compliant  
5 lbs opening force on ADA Series only**

**\*Refer to the Price List for Stock Sizes and Finishes**

Minimum Stile Requirements  
4" escutcheon trims & 4 1/2" for  
Thumbpiece and rose trims



## DIMENSIONS

Touchbar height to finished floor	41" (1041mm) at center
Touchbar projection	
Neutral	2 1/2" (64mm)
Depressed	1 3/4" (45mm)

MODEL	ACTUAL LENGTH	MAX CUT DOWN	DOOR SIZE
2200EO24 and F2200EO24	20"	2"	22" to 24" door width
2200EO32 and F2200EO32	28"	6"	26" to 32" door width
2200EO36 and F2200EO36	32"	6"	30" to 36" door width
2200EO48 and F2200EO48	44"	12"	36" to 48" door width

*\*Add prefix "A" before MODEL # for ADA Exit Devices.*

# 2260V & F2260V Series A2260V & F2260V ADA Series GRADE 1 Vertical Rod Type Exit Device

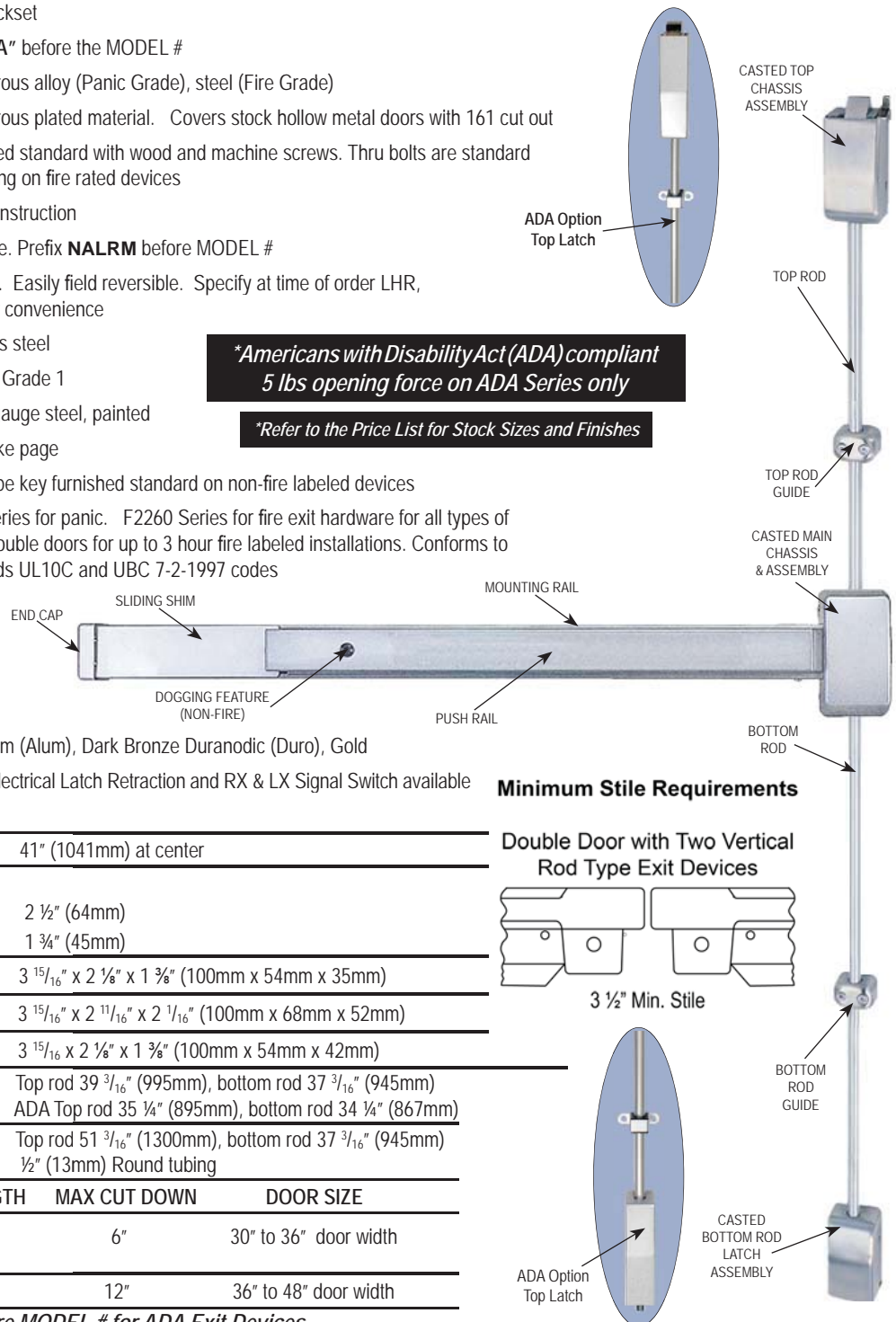


## Specifications

For Doors.....	1 3/4" thick standard optional 2 1/4" thick. 3 3/4" minimum stile width required for single door application. 3 1/2" minimum stile width required for double door application. Lever trims available. 2 3/4" backset
ADA Series.....	Prefix "A" before the MODEL #
Top & Bottom Chassis.....	Non-ferrous alloy (Panic Grade), steel (Fire Grade)
Cover.....	Non-ferrous plated material. Covers stock hollow metal doors with 161 cut out
Mounting.....	Furnished standard with wood and machine screws. Thru bolts are standard packaging on fire rated devices
End Cap.....	Steel construction
Alarm.....	Available. Prefix <b>NALRM</b> before MODEL #
Hand.....	Handed. Easily field reversible. Specify at time of order LHR, RHR for convenience
Latch Bolt & Spring.....	Stainless steel
ANSI Standard.....	A156.3, Grade 1
Rail Assembly.....	Heavy gauge steel, painted
Strike.....	See strike page
Dogging Feature.....	Allen-type key furnished standard on non-fire labeled devices
UL and ULC Listed.....	2260 Series for panic. F2260 Series for fire exit hardware for all types of 8' x 8' double doors for up to 3 hour fire labeled installations. Conforms to standards UL10C and UBC 7-2-1997 codes

**\*Americans with Disability Act (ADA) compliant  
5 lbs opening force on ADA Series only**

**\*Refer to the Price List for Stock Sizes and Finishes**



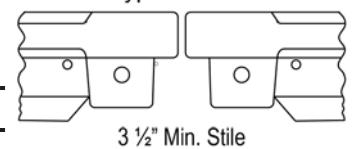
Finish.....	Aluminum (Alum), Dark Bronze Duranodic (Duro), Gold
Electronic Functions.....	(ELR) Electrical Latch Retraction and RX & LX Signal Switch available

### DIMENSIONS

Touchbar height to finished floor	41" (1041mm) at center		
Touchbar projection			
Neutral	2 1/2" (64mm)		
Depressed	1 3/4" (45mm)		
Panic grade top & bottom latch case	3 15/16" x 2 1/8" x 1 3/8" (100mm x 54mm x 35mm)		
Fire grade top latch case	3 15/16" x 2 11/16" x 2 1/16" (100mm x 68mm x 52mm)		
Fire grade bottom latch case	3 15/16" x 2 1/8" x 1 3/8" (100mm x 54mm x 42mm)		
Top and bottom rod length for 36" x 84" doors	Top rod 39 3/16" (995mm), bottom rod 37 3/16" (945mm) ADA Top rod 35 1/4" (895mm), bottom rod 34 1/4" (867mm)		
Top and bottom rod length for 48" x 96" doors	Top rod 51 3/16" (1300mm), bottom rod 37 3/16" (945mm) Vertical Rods 1/2" (13mm) Round tubing		

### Minimum Stile Requirements

#### Double Door with Two Vertical Rod Type Exit Devices



MODEL	ACTUAL LENGTH	MAX CUT DOWN	DOOR SIZE
2260V3684, F2260V3684, 2290V3696 and F2290V3696	32"	6"	30" to 36" door width
2280V4896 and F2280V4896	44"	12"	36" to 48" door width

*\*Add prefix "A" before MODEL # for ADA Exit Devices.*

# LBR2260 & LBRF2260 Series ALBR2260 & ALBRF2260 ADA Series GRADE 1 Vertical Rod Exit Device Less Bottom Rod



## Specifications

LBR.....	No Bottom Strike. Free access for wheel chairs, stretcher and carts therefore eliminates tripping potential and disfiguration of floors dur to gragging of bottom bolts
For Doors.....	1 3/4" thick standard. 3 3/4" minimum stile width required for single door application. 3 1/2" minimum stile width required for double door application. Lever trims available. 2 3/4" backset
Top Chassis.....	Nonferrous alloy (Panic Grade), steel (Fire Grade)
ADA Series.....	Prefix "A" before the MODEL #
Cover.....	Nonferrous alloy. Covers stock hollow metal doors with 161 cutout
Mounting.....	Furnished standard with wood and machine screws. Thru bolts are standard packaging on fire rated devices
Alarm.....	Available. Prefix <b>NALRM</b> before MODEL #
End Cap.....	Steel Construction
Hand.....	Handed. Easily field reversible. Specify at time of order LHR, RHR for convenience
Latch Bolt, Spring.....	Stainless steel
Auxiliary Spring Latch.....	Auxiliary spring loaded latchbolt is installed in the lower edge of the door, when exposed to fire latchbolt releases keeping the door closed and regulated
ANSI Standard.....	A156.3, Grade 1
Rail Assembly.....	Heavy gauge steel, painted
Strike.....	See strike page
Dogging Feature.....	Allen-type key furnished standard on non-fire labeled devices
Electronic Functions.....	(ELR) Electrical Latch Retraction and RX & LX Signal Switch available
UL and ULC Listed.....	All Series for panic. LBR Series for fire exit hardware for all types of 8' x 8' double doors including double egress for up to 3 hour metal, 1 1/2 hour wood doors fire labeled installations. Conforms to standards UL10C and UBC 7-2-1997 codes

**\*Americans with Disability Act (ADA) compliant  
5 lbs opening force on ADA Series only**

**\*Refer to the Price List for Stock Sizes and Finishes**



## DIMENSIONS

Touchbar height to finished floor	41" (1041mm) at center		
Touchbar projection			
Neutral	2 1/2" (64mm)		
Depressed	1 3/4" (45mm)		
Panic grade top & bottom latch case	3 15/16" x 2 1/8" x 1 3/8" (100mm x 54mm x 35mm)		
Fire grade top latch case	3 15/16" x 2 11/16" x 2 1/16" (100mm x 68mm x 52mm)		
Fire grade bottom latch case	3 15/16" x 2 1/8" x 1 3/8" (100mm x 54mm x 42mm)		
Top and bottom rod length for 36" x 84" doors	Top rod 39 3/16" (995mm) ADA Top rod 35 1/4" (895mm), bottom rod 34 1/4" (867mm)		
Top and bottom rod length for 48" x 96" doors	Top rod 51 3/16" (1300mm)		
Vertical Rods	1/2" (13mm) Round tubing		
<b>MODEL</b>	<b>ACTUAL LENGTH</b>	<b>MAX CUT DOWN</b>	<b>DOOR SIZE</b>
LBR2260V3684, LBRF2260V3684, LBR2290V3696 and LBRF2290V3696	32"	6"	30" to 36" door width
LBR2280V4896 and LBRF2280V4896	44"	12"	36" to 48" door width

*\*Add prefix "A" before MODEL # for ADA Exit Devices.*

# Alarm Exit Hardware



## Features

- 1-, 3-, 5-minute and continuous alarm type settings available
- ON and OFF power switch
- Alarm sound frequency is 120 db
- Alarm unit has an internal horn. When the push rail is depressed, the horn sounds to provide an audible means of signaling that the door has been opened and breached.
- The key switch to turn alarm off is a standard 1 ¼” cylinder with “C” keyway. The alarm operates on one standard 9 volt transistor battery. When battery is weak the horn will emit an intermittent signal.
- Alarmed units are supplied with a micro switch, which monitors the push rail and the latch bolt and outside trim (if available) for foolproof security on rim devices
- Alarm unit has a signal OC output that can be linked to external alarm control systems
- Easy removal of the alarm unit without the need to dismount the exit device for battery maintenance
- Unit includes “**EMERGENCY EXIT ONLY ALARM WILL SOUND**” decal for application on door or unit

## Rim Type Exit Devices

NALRM 2200 EO36 Alarm rim type 36” door ( panic grade )

NALRM 2220 EO48 Alarm rim type 48” door ( panic grade )

FNALRM 2200 EO36 Alarm rim type 36” door ( fire grade )

FNALRM 2220 EO48 Alarm rim type 48” door ( fire grade )

**Also available on ADA Series**

## Vertical Rod Type Exit Devices

Prefix “NALRM” before MODEL #.

## Power Supplies

Power supplies for electrified exit devices are available.

See page 65.

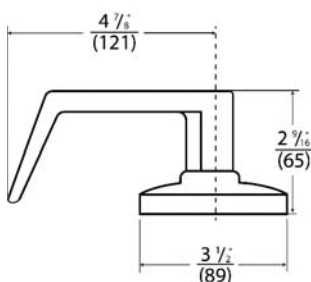
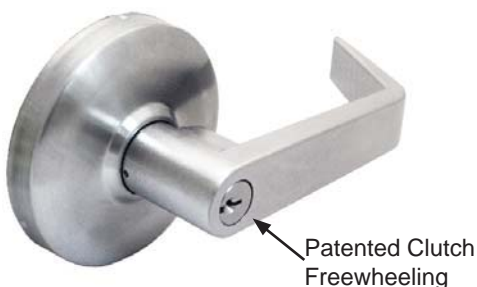
# Trim Selection

## CLUTCH CYLINDRICAL LEVER

### Non-handed Grade 1 (Clutch Style)

Cylindrical body hardened steel heavy duty tailpiece. For 1 3/4" and 2 1/4" doors. Prefix THI before part # for 2 1/4" door thickness. Available for fire and non fire rated rim and vertical rod exit devices. Rose diameter 3 1/2", lever length 4 3/4". Fits and covers 161 cutout.

Finishes: Architectural plated finishes.



- ENT00L or
- ICENT00L or
- ICSCENT00L4
- SARICENT00L (Sargent)
- RUSICENT00L (Corbin/Russwin)
- YALICENT00L (Yale)
- 8000K (Non-Clutch)

- ENTRANCE**  
Key locks and unlocks lever. Operates as CLASSROOM FUNCTION. ANSI Function – 08  
Ball Knob Keylock

- STR05L or
- ICSTR05L or
- ICSCSTR05L4
- SARICSTR05L (Sargent)
- RUSICSTR05L (Corbin/Russwin)
- YALICSTR05L (Yale)

- STOREROOM**  
Key operates lever, otherwise always locked. ANSI Function – 04

- PAS30L  
**PASSAGE**  
Trim always operable and free. ANSI Function - 15

- DUM40L  
**DUMMY**  
Dummy trim. One sided ANSI Function – 10

When ordering "AT" and "SPA" designs, prefix design name before part #. Example: ENT00L in "AT" is **ATENT00L**.

**KEYWAY:** 6 pin solid brass "C" keyway standard. Optional: Schlage E, Schlage C-K, Russwin D1-2-3-4, Corbin 59/60, Sargent LA-LB-LC, Falcon/Weiser E, Arrow A, Yale 8, Yale GA and Kwikset. Can also accept Medeco, Assa, Kaba and **Cal-Royal HSK** High Security Cylinders.

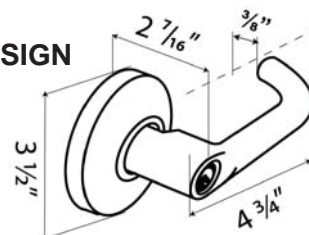
**(IC) INTERCHANGEABLE CORE:** Interchangeable Core locks will accept compatible 6 or 7 pin cores with BEST, FALCON and ARROW

**(ICSC) INTERCHANGEABLE CORE:** Indicates function available with Schlage Full size format Interchangeable Core

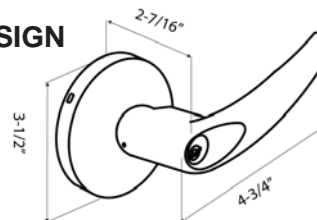
### Other Lever Trim Designs



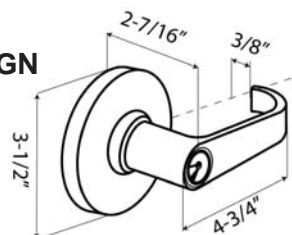
**TUB DESIGN**



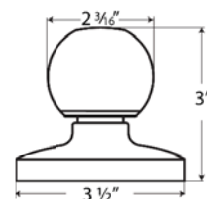
**AT DESIGN**



**SPA DESIGN**



**8000K**



# Trim Selection

## RIGID LEVER ESCUTCHEON

### CONSTRUCTION

- Grade 1, thrubolted design, rigid non-clutch, Non handed design.
- Easily field reversible.
- Hardened steel heavy duty tailpiece. Available for fire and non-fire rated rim and vertical rod exit devices.

### FINISHES

- Powder coated aluminum (alum)
- Powder coated dark bronze duranodic (duro)
- Powder coated gold

### DOOR THICKNESS

Standard 1 3/4". For 2 1/4" thick door use additional PART# TAIL3.

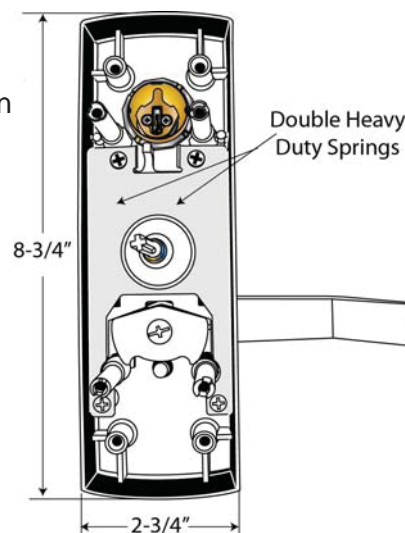
### ESCUTCHEON DIMENSIONS

2 3/4" width X 8 3/4" length. Lever length: 4 3/4".

Fits and covers 2 1/8" 161 cutout



<p><b>NESC2200 or</b>  <b>ICNESC2200 or</b>  <b>ICSCNESC2200</b></p>	<p><b>ENTRANCE</b>  Rigid Entrance, key locks or unlocks escutcheon trim  ANSI FUNCTION (63) Operates as classroom function</p>
<p><b>NESC2205 or</b>  <b>ICNESC2205 or</b>  <b>ICSCNESC2205</b></p>	<p><b>STOREROOM</b>  Rigid Storeroom, key unlocks lever, lever retracts  latch bolt, otherwise always locked  ANSI FUNCTION (04)</p>
<p><b>NESC2230</b></p>	<p><b>PASSAGE</b>  Trim always operable and free  ANSI Function (62)</p>
<p><b>NESC2240</b></p>	<p><b>DUMMY</b>  Dummy Escutcheon trim ANSI FUNCTION (10)</p>



**KEYWAY:** 6 pin solid brass "C" keyway Mortise Cylinder standard. Optional: Schlage E, Schlage C-K, Russwin D1-2-3-4, Corbin 59/60, Sargent LA-LB-LC, Falcon/Weiser E, Arrow A, Yale 8, Yale GA and Kwikset. Can also accept Medeco, Assa, Kaba and **Cal-Royal HSK** High Security Cylinders.

**(IC) INTERCHANGEABLE CORE:** Interchangeable Core locks will accept compatible 6 or 7 pin cores with BEST, FALCON and ARROW

**(ICSC) INTERCHANGEABLE CORE:** Indicates function available with Schlage Full size format Interchangeable Core

FOR ELECTRIFIED TRIM OPTIONS SEE PAGE 64

# Trim Selection

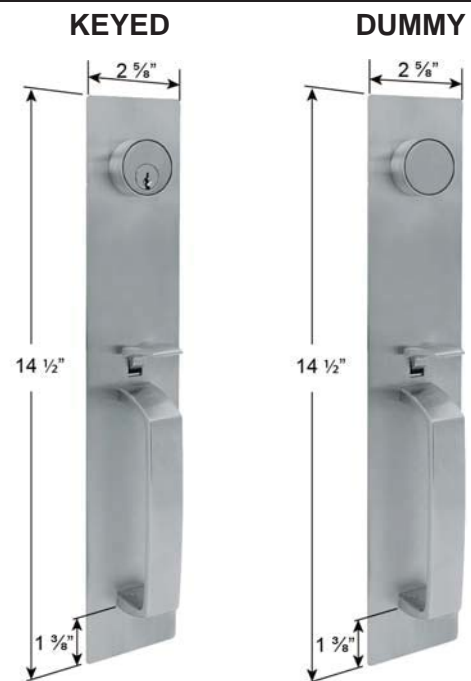


## PULL DESIGN

<p><b>2200PULNL</b> <b>IC2200PULNL</b> <b>ICSC2200PULNL</b></p>  <p>FOR RIM DEVICES ONLY Outside by pull and key. Key retracts latch bolt. ANSI function - 03. Covers 161 cutout. Standard Rim Cylinder available in "C" 6 pin &amp; optional Kwikset KW keyways.</p>	<p><b>2200 NL</b> <b>IC2200NL</b> <b>ICSC2200NL</b></p>  <p>FOR RIM DEVICES ONLY Outside by pull and key. Key retracts latch bolt. ANSI function - 03. Covers 161 cutout. Standard Rim Cylinder available in "C" 6 pin &amp; optional Kwikset KW keyways.</p>	<p><b>2200DTP</b></p>  <p>Outside by pull only. Pull when dogged. ANSI function - 02 Covers 161 cutout.</p>	<p><b>2200EOP</b></p>  <p>Outside by plate only. ANSI function - 10 Covers 161 cutout.</p>	<p><b>8000K</b> <b>ENTRANCE</b></p>  <p>Key locks and unlocks knob. Operates as classroom function. ANSI Function - 08</p>
--	--	--	---	---

## THUMBPIECE TRIM (OPERATES ON RIM & VERTICAL ROD DEVICES)

<p><b>THP00 or</b> <b>ICTHP00</b> <b>ICSCTHP00</b></p>	<p><b>ENTRANCE</b> Key locks or unlocks thumbpiece. (Operates as classroom function) ANSI Function - 63</p>
<p><b>THP05 or</b> <b>ICTHP05</b> <b>ICSCTHP05</b></p>	<p><b>STOREROOM</b> Key unlocks thumbpiece, thumbpiece retracts latch bolt, otherwise always locked. ANSI Function-04</p>
<p><b>THP30</b></p>	<p><b>PASSAGE</b> Trim always operable and free. ANSI Function - 62</p>
<p><b>THP40</b></p>	<p><b>DUMMY</b> Dummy trim. <b>Includes blank Mortise dummy cylinder.</b> ANSI function - 10</p>



### FINISHES

Powder coated Aluminum, Dark Bronze (DURO), Gold for PULL and THUMBPIECE TRIMS.  
US32D,3,10B for 8000K knob trim.

**KEYWAY:** 6 pin solid brass "C" keyway Mortise Cylinder standard. Optional: Schlage E, Schlage C-K, Russwin D1-2-3-4, Corbin 59/60, Sargent LA-LB-LC, Falcon/Weiser E, Arrow A, Yale 8, Yale GA and Kwikset. Can also accept Medeco, Assa, Kaba and **Cal-Royal HSK** High Security Cylinders.

### (IC) INTERCHANGEABLE CORE

Interchangeable Core locks will accept compatible 6 or 7 pin cores with BEST, FALCON and ARROW.

### (ICSC) INTERCHANGEABLE CORE

Indicates function available with **Schlage Full size format** Interchangeable Core.

### DOOR THICKNESS

Standard 1 3/4". For 2 1/4" thick door use additional PART # TAIL 7.



# Heavy Duty Mechanical Push Button Lock



## CRCODE 204

### Features

- Breakaway Lever Design
- Easy On-Door Code Change
- Weather Resistant
- Code-Free Option (Passage)
- Non-Handed
- 1 - 12 digit Length Code
- Thousands of Possible Code Combinations
- Single Code User
- Applications: Offices, Schools, Hospitals, Apartments, Hotels/Motels, Residential, Commerical and Public Buildings
- Door Thickness: 1 3/4" - 2"

**NEW ITEM**



## Electrified Lever Trim

Cal-Royal's electrified lever trim provides remote locking and unlocking capabilities using industry safety standards. The 24V DC solenoid can be energized from a distant controller, thus allowing access control of the opening.

The control of stairwells in high-rise buildings is a common application for this trim, where electric pullback of the exit device's latch bolt is cost prohibitive or not required. This is especially practical in applications where fire/life safety codes require a "fail-safe" condition which is not an option with electrified latch pullback devices. Because the current draw is quite low there is no need for a more expensive power supply to provide the surge current.

### Features

- Continuous duty solenoids used to insure trouble-free operation
- No hassle 3-Year Warranty
- Requires additional door prep

### Options

- Available Fail Safe (electrically locked) or Fail Secure (Electrically Unlocked)
- Voltage options – 12V or 24V (AC/DC)
- Request to Enter Switch (REE) available
- CRU2 – Current Reduction Unit to improve solenoid life in "continuously on" applications



### Specifications

Solenoid.....Continuous Duty 24VDC

Operating Voltage....12 or 24VAC/DC + OR – 10%  
(must specify 12 or 24 volts when ordering)

Amperage.....260mA@12V / 160mA@24V

Coil Resistance.....12V=49Ω / 24V=159Ω

### To order, Specify:

OPTIONS: FAIL SAFE (FS)  
FAIL SECURE (FSE)

ITEM#	DESCRIPTION
FS12 ESC22	FS12 FAIL-SAFE OPTION 12V AC/DC
FS24 ESC22	FS24 FAIL-SAFE OPTION 24V AC/DC
FSE12 ESC22	FSE12 FAIL-SECURE OPTION 12V AC/DC
FSE24 ESC22	FSE24 FAIL-SECURE OPTION 24V AC/DC

# (ELR) Electric Latch Retraction



Our electrified latch pullback exit device allows for remote keyless access control in high occupancy/high traffic conditions where exit devices are required. Common applications include conditions such as hospitals, airports, schools, churches and they are commonly specified in applications that require automatic door openers. The device may be continuously energized allowing for a push/pull condition if desired.

### Features:

- Available on 2200 Series, including rim, vertical rod, concealed vertical rod, fire and non-fire-rated devices.
- MM3 Smart Module: On board diagnostics with audible feedback for adjustment and power issues
- “PTS”: 5 second electronic adjustment for easy post installation adjustment
- Electric dogging rated for continuous duty - Auto retraction if dogged push pad is pulled from position
- Low current draw
- Up to 500’ wire - Long wire runs provides installer with convenience of placing the locking device power supply in a centralized location; i.e. the same closet as the access panel
- 6’ cable with Quick Connect for MM3 module to easily connect to power supply lead
- No hassle 3-Year Warranty

### Specifications

- Voltage – 22 to 28 VDC
- System protection – unit shutdown when voltage exceeds 28VDC
- Average In-rush Current – 1A; Average Hold Current -180mA
- PTS adjustment – approx. 1/4”
- Wire run: 500’ with 18ga wire; 700’ with 16ga wire

**MUST USE CRP POWER SUPPLIES TO HONOR WARRANTY (see page 66)**

### To order, specify:

- Prefix **ELR** before PART#

# Signal Switch RX and LX

**RX** (request to exit) signal switch is used to signal the use of an opening from the push side. When the push pad is depressed, the switch is activated. These devices are equipped with an internal SPDT (single pole double throw) switch that monitors the touch bar.

**LX** (latch bolt monitoring) signal switch monitors both egress and access of an opening. When the latch bolt is retracted, the switch is activated. These devices are equipped with an internal SPDT (single pole double throw) switch that monitors the latch bolt position.

**LX** and **RX** switches can be combined.

**LX, RX** switches can be used in combination with ELR (electric latch retraction) option.

### Specifications

**RX** or **LX**.....Switch rated 0.5 amps @ 24VAC/DC resistive  
Low current **RX** or **LX**.Switch rated 0.5 amps @ 24VAC/DC resistive  
For Factory Installed:

### To Order, Specify:

- Prefix: - **RX2200**.....Request to Exit switch for field installation
- LX2200**.....Latch bolt Monitoring switch for field installation
- LXRX2200**.....Latch bolt Monitoring/Request to Exit Combination

# KABA® - Cal-Royal Combination

Cal-Royal's Exit hardware devices combined with Kaba InSync CP provide a variety of alternatives when addressing community access control. Recommended for applications such as controlling building entry openings, common area rooms and doors with exit devices. InSync CP are available as stand-alone battery operated door locks designed to work in conjunction with Cal-Royal's Exit Hardware Devices.



**KABA InSync CP is not sold through CAL-ROYAL. For inquiries and information on InSync line of products please visit [www.kabamultihousing.com](http://www.kabamultihousing.com)**

The CRPS1N is a heavy duty, high quality, low cost solution for powering a single latch retracting exit device. The solid state design insures years of trouble-free operation. The power supply delivers raw, unregulated DC current which is ideal for the extreme in-rush requirement of most solenoid driven electric latch retracting exit devices. The power supply comes housed in a sturdy, yet compact metal enclosure.

## CRPS1N



### Features:

- Power supply delivers the necessary high current in-rush for a single exit device
- Solid-state design eliminates problems associated with mechanical relays
- Single input/output

### Specifications:

- Input voltage – 120 VAC
- Output voltage – 24 VDC unregulated @ 1A
- Temperature range – 0° to 120°F
- 1 Solid-State input/output (input triggered by dry contact)
- LEDs – RED = Power indicator  
GREEN = Channel on
- Enclosure dimensions: 10" x 10" x 4"



The CRPS2 Series power supplies are high quality, cost effective solution for powering two electric latch-retracting exit devices. These power supplies provide the necessary surge current that most latch-retracting exit devices require. The CRPS2 Series offers features found on power supplies costing much more; and the solid-state design and careful attention to detail make the CRPS2 Series ideal choice for the discerning user who requires a power supply that can offer years of trouble-free operation.

## CRPS2 CRPS2BB



### Features:

- Delivers the necessary in-rush current to power two latch pullback exit devices.
- Two independent inputs/outputs
- Solid-state design eliminates mechanical problems associated with relays
- Thermal overload sensing reduces risk of failure due to overheating
- Fire alarm disconnect link
- Inputs triggered by dry contact
- Intelligent short circuit detection detects shorts much faster than fuses and isolates the short to the individual output
- Removable Euro-style terminal blocks allow for easy installation
- UL Pending at time of print
- No hassle 3-Year Warranty

### Additional Features (CRPS2BB Only):

- Efficient battery backup/charging circuitry with zero voltage drop at power loss
- Solid state reverse polarity protection for battery connections
- Audible alert when sensing AC power failure & low battery (batteries not included)
- Output Voltage – 24 VDC unregulated @ 2.3A
- Enclosure dimensions: 12.5" x 15" x 4"

### Specifications:

- Input Voltage – 120 VAC
  - Output Voltage – 24 VDC unregulated @ 2A\*\*
  - Temperature Range – 0° to 120°F
  - 1 Solid-State input/output (input triggered by dry contact)
  - LEDs – RED = Power indicator  
GREEN = Channel on
  - Enclosure dimensions: 10" x 10" x 4" \*\*
- \*\*CRPS2 only**

The CRSW3 power supply is a low cost, regulated switching power supply. It is designed specifically to supply power to low current DC devices such as mortise locks, cylindrical locks and electric strikes. The CRSW3 supplies 2.4A @ 27VDC and provides (3) non-fused outputs. The CRSW3 comes housed in a 10" x 10" x 4" sturdy metal enclosure.

## CRSW3



### Features:

- Adjustable output voltage (22-27V under load)
- No hassle 3-Year Warranty

### Specifications:

- Input voltage – 110 or 240VAC
- Output voltage – 2.4A @ 27VDC
- (3) Non-fused outputs
- Enclosure dimensions : 10" x 10" x 4"

# Strike & Accessories



## Strikes for use with 2260 vertical rod exit device

All strikes are black nylon coated

**221**  
Standard for 2260.  
Applied to surface of floor or to a flat threshold.  
Standard packaging.

**227**  
Applied to surface of stop.  
No mortise required.  
Standard packaging.

**233**  
Bottom strike. Alternate bottom strike. Flush mounting stainless steel. Furnished with expansion shields. Requires mortise in the floor.

**RIM238**  
Strike for 2 3/8 inch  
Backset Application

### Overlapping Strikes

**N251**  
Surface applied. Used on inactive leaf for device on active leaf of pair of doors without mullion

### Additional Rods

Vertical rod for 10 feet high doors available on non-fire rated vertical rod devices only. Use part# VRRD-10

### CYLINDER DOGGING KITS

TO ORDER: Prefix "CD" before PART#. Available for all 2200 Series devices except fire exit hardware. Cylinder dogging with mortise cylinder is located on the mounting insert lock bolt in retracted position.

To order KIT ONLY: use PART# 36CD2200 for 36" and 48CD2200 for 48" devices. Specify finish.



**KEYWAYS:** 6 pin solid brass "C" keyway standard. Optional: Schlage E, Schlage C-K, Russwin D1-2-3-4, Corbin 59/60, Sargent LA-LB-LC, Falcon/Weiser E, Arrow A, Yale 8, Yale GA and Kwikset. Can also accept Medeco, Assa, Kaba and **Cal-Royal HSK** High Security Cylinders.

## Strikes for use with F2260V vertical rod fire exit device

**245**  
Surface applied for F2260.  
Standard packaging.

**233**  
Bottom strike for F2260. Flush mounting stainless steel. Furnished with expansion shields. Requires mortise in the floor.  
Standard packaging.

### Additional Accessories

**LFF**  
Lock front filler

**SF**  
Strike filler

### Strikes for use with 2200 rim type exit device

**239**  
For 2200 & F2200 surface applied.  
Standard packaging

### Strikes for use with F2200 rim type fire exit device

**245**  
For F2200 surface applied.  
Standard packaging.

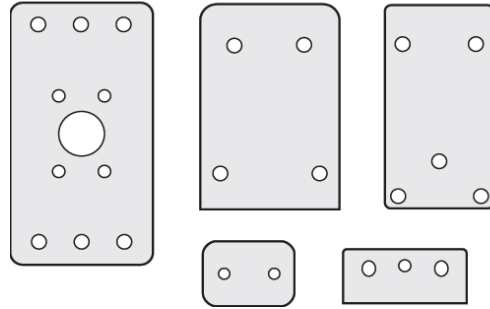
### ADA Strike for 2200 exit device

# Accessories

## GLASS BEAD SHIM KITS

- 401** – For rim type, 1/8" thick
- 406** – For vertical type, 1/8" thick
- 412** – For fire rated type, 1/8" thick

When exit devices are used with shim kits with outside trim, spindle length thumbpiece and thru bolt length must be increased accordingly.



## STANDARD HEX DOGGING KIT



(For non-rated Panic Bar)  
PART# **DOGGINGKIT** (2200 Series)

# Fire Exit Hardware Selector



FIRE EXIT HARDWARE RATING			UL DOOR RATING
APPLICATION	MODEL #	MAXIMUM DOOR OPENING	(A) 3 HOUR
<b>SINGLE DOORS</b> Rim type	F2200EO36 F2220EO48	4'0" X 8'0"	✓
<b>PAIRS OF DOORS</b> Two surface mounted standard vertical rod type or less bottom rod (LBR) application. Prefix <b>LBR</b> before Part#  a) Swinging in same direction b) Swinging in opposite direction (double egress )	F2260V3684 X F2260V3684	8'0" X 7'2"	✓
	F2290V3696 X F2290V3696 F2280V4896 X F2280V4896	8'0" X 8'0"	✓
<b>PAIRS OF DOORS</b> Two rim type with Mullion	F2200EO36 F2220EO48	8'0" X 8'0"	✓

All fire rated exit devices in all applications, are also labeled for (B) 1 ½ hour, (C) ¾ hour, (D) 1 hour, (E) ¾ hour.  
All fire exit hardware meet UL10C and UBC 7-2-1997 codes.  
Includes ADA Series.

## HOW TO ORDER INFORMATION

### Exit device model number

#### Panic grade

2200 EO36 Rim type 36" door  
2220 EO48 Rim type 48" door  
2260 V3684 Vertical rod type 36" x 84"  
2290 V3696 Vertical rod type 36" x 96"  
2280 V4896 Vertical rod type 48" x 96"  
VRRD10 – Rod for 10' non-rated door

#### Fire grade

F2200 EO36 Rim type 36" door  
F2220 EO48 Rim type 48" door  
F2260 V3684 Vertical rod type 36" x 84"  
F2290 V3696 Vertical rod type 36" x 96"  
F2280 V4896 Vertical rod type 48" x 96"

- 1) Specify exit device model number according to size of door.
- 2) Specify ADA option if needed.
- 3) Specify trim selection. For interchangeable core prefix "IC" before part #.
- 4) For vertical rod devices specify LHR (Left Hand Reverse ) or RHR ( Right Hand Reverse ) for convenience easily field reversible, otherwise shipped as LHR.
- 5) Specify finish:  
Alum - Powder coated to match US26D  
Duro - Powder coated to match US10B  
Gold - Powder coated to match US4, US3
- 6) On thru bolt applications, fire rated vertical rod devices are packed with thru bolts as standard feature. Thru bolts are also available for other devices. To order thru bolts add "SBN" to trim pack.

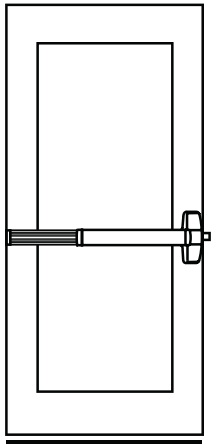
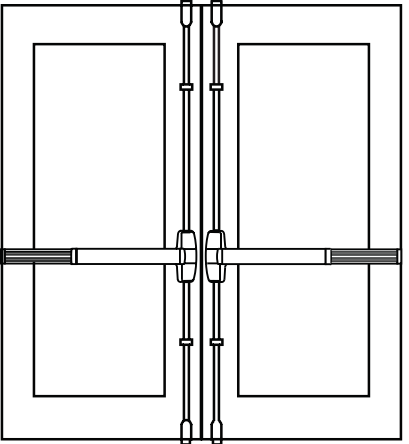
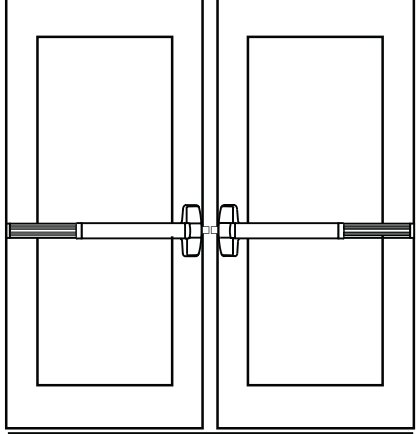
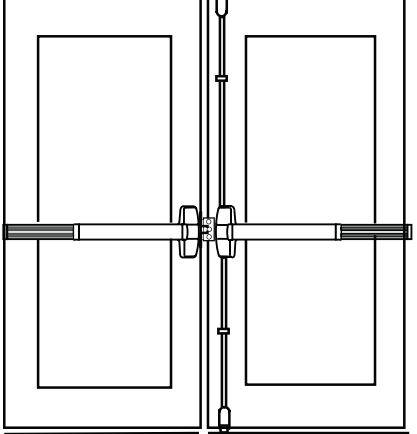
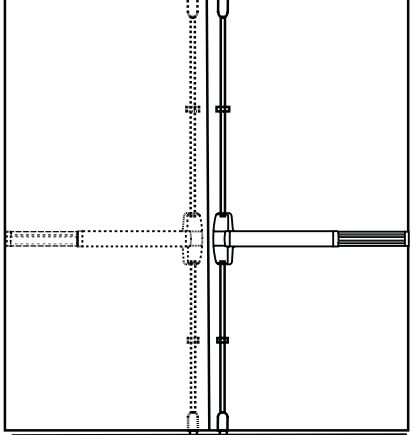
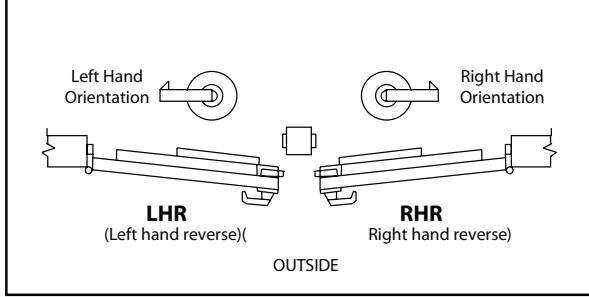
When ordering separately use following part#

Cal-Royal Part # 357 — Thru bolts for rim devices, 6 PCs / pack.  
Cal-Royal Part # 369 — Thru bolts for vertical rod devices, 14 PCs / pack.  
Cal-Royal Part # 363 — Thru bolts for rim devices, 6 PCs / pack for 2 ¼" thick doors.  
Cal-Royal Part # 375 — Thru bolts for vertical rod devices, 14 PCs / pack for 2 ¼" thick doors.

**Ordering example:** 2200EO36 ALUM X SBN X ENT00L 26D  
F2280V4896 DURO X ICSTR05L 10B

2200 & F2200 Rim Type and Fire Exit Devices  
 2260V & F2260V Vertical Rod Fire Exit Devices  
 ANSI A156.3 Grade 1  
 Selector Chart



<p style="text-align: center;"><b>SINGLE DOOR</b></p>  <p><b>Vertical rod type or Rim type</b>     Surface applied 2 point lock. Surface application.</p>	<p style="text-align: center;"><b>PAIR OF DOORS WITHOUT MULLION</b></p>  <p><b>2 Vertical rod type</b>     Surface applied 2 point locking both doors. Each door active same direction. Do not use with overlapping astragal.</p>
<p style="text-align: center;"><b>PAIR OF DOORS WITH MULLION</b></p>  <p><b>2 Rim type with mullion</b>     Two independent active doors with full double door openings when required. Same direction.</p>	<p style="text-align: center;"><b>PAIR OF DOORS WITHOUT MULLION</b></p>  <p><b>1 Vertical rod and 1 rim type</b>     Both devices are surface applied. A coordinator and overlapping strike is recommended.</p>
<p style="text-align: center;"><b>PAIR OF DOORS WITHOUT MULLION</b></p>  <p><b>2 Vertical rod type</b>     Double egress surface applied. 2 point locking both doors opposite directions.</p>	<p style="text-align: center;"><b>HANDING</b></p>  <p><b>CAL ROYAL PRODUCTS, INC.</b>          6605 FLOTILLA ST., COMMERCE, CA 90040 U.S.A.          TEL: (323) 888-6601 FAX: (323) 888-6699          Website: <a href="http://cal-royal.com">cal-royal.com</a> * Email: <a href="mailto:sales@cal-royal.com">sales@cal-royal.com</a></p>

# Exit Devices Comparison Chart

RIM EXIT DEVICE CONVERSIONS	RIM	VERTICAL ROD	RIM	VERTICAL ROD
ARROW	S1200	S1100	S3800	S3700
<b>CAL-ROYAL</b>	<b>2200</b>	<b>2260</b>	<b>9800</b>	<b>9860</b>
CORBIN/RUSSWIN	ED8200	ED8400	ED5400	ED4750
DORMA	8300	8400	9300	9400
PRECISION	5100	5200	2100	2200
SARGENT	2828	2727	8800	8700
VON DUPRIN	22	2227	98	9827
YALE	2100	2110	7100	7110

RIM EXIT DEVICE CONVERSIONS	RIM	VERTICAL ROD	RIM	VERTICAL ROD
ARROW	---	---	1800	---
<b>CAL-ROYAL</b>	<b>7700</b>	<b>7760</b>	<b>4400</b>	---
CORBIN/RUSSWIN	---	---	ED6000	---
DETEX	---	---	---	---
DORMA	---	---	---	---
PRECISION	---	---	100	200
SARGENT	---	---	9898	---
VON DUPRIN	99	9927	---	---
YALE	---	---	1500	1510



Distributed by: