

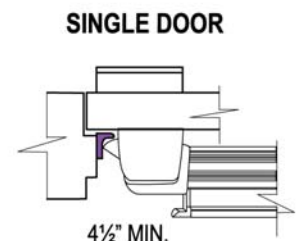
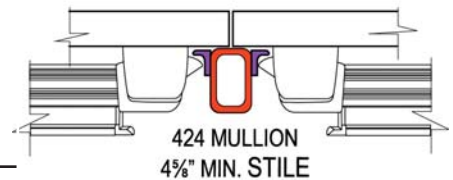
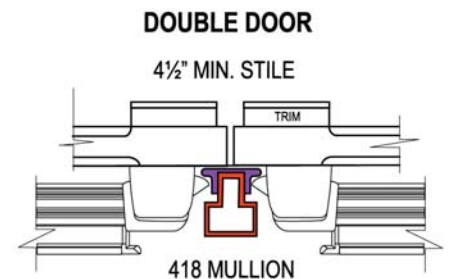
4400 Series Rim Type Panic Exit Device



Specifications

For Doors.....	1 3/4" thick standard. 4 1/2" minimum stile width required for single or double door application using standard 440 strike and pull lever, thumbpiece and escutcheon trims
Chassis.....	Non-ferrous alloy. (Panic Grade)
Cover.....	Non-ferrous alloy. Covers stock hollow metal doors with 161 cut out
Mounting.....	Furnished with wood and machine screws. Available thrubolts on request
Hand.....	Handed, specify handing
Latch Bolt.....	Stainless steel 3/4" throw
Spring.....	Stainless steel throughout
ANSI Standard.....	A156.3, Grade 2
Cross Bar.....	1" Dia. Aluminum, 0.062" thick for 36" or 48" wide doors
Strike.....	Roller type
Dogging Feature.....	Allen-type key furnished standard
Mullion.....	Available
UL and ULC Listed.....	4400 Series for panic
Finish.....	US26D Satin Chrome, Dark Bronze Duranodic (DURO)
Door Size.....	4400EO36 for 36" doors 4420EO48 for 48" doors

4 1/2" Minimum Stile Requirements



DIMENSIONS

Touchbar height to finished floor	36 1/2" (927mm) at center
Latch height to finished floor	41" (1041mm)
Touchbar projection	
Neutral	4 3/4" (121mm)
Depressed	3" (76mm)
Main case	8 1/2" x 2 5/8" x 2" (216mm x 67mm x 51mm)
End case	4 7/8" x 2 1/8" (124mm x 54mm)
Cross Bar Length	30" for 36" door, 42" for 48" door

Trim Selection

ESCUTCHEON LEVER DESIGN



CONSTRUCTION

- Rigid, non clutch mechanism.
- Thrubolted design.
- Non-handed design. Easily field reversible.
- Hardened steel heavy duty tailpiece.

ESCUTCHEON DIMENSIONS

2 3/4" width X 8 1/2" length. Lever length: 4 3/4".
Fits and covers 2 1/8" 161 cutout

ESC4400 or ICES4400 or ICSC4400 **ENTRANCE**
Rigid Entrance, key locks or unlocks escutcheon trim
ANSI FUNCTION (63)
Operates as classroom function

ESC4430 **PASSAGE**
Trim always operable and free
ANSI FUNCTION (62)

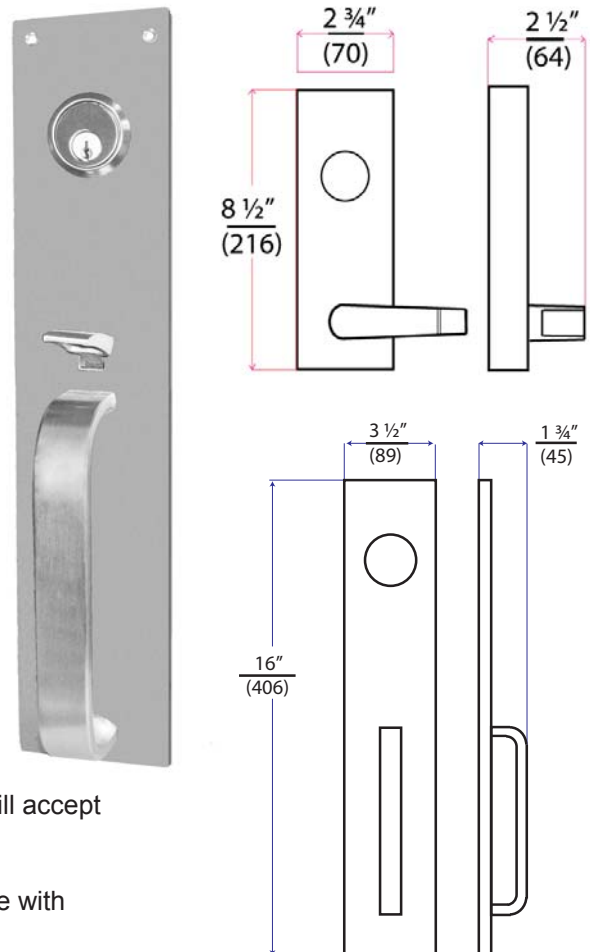
ESC4440 **DUMMY**
Dummy Escutcheon trim
ANSI FUNCTION (10)



THUMBPIECE TRIM

THP4400 or ICTHP4400 or ICSTHP4400 **ENTRANCE**
Key locks or unlocks thumbpiece.
(Operates as classroom function)
ANSI Function – 63

THP4430 **PASSAGE**
Trim always operable and free
ANSI FUNCTION (62)



❖ ESCUTCHEON AND THUMBPIECE ❖

DOOR THICKNESS: Standard 1 3/4"
FINISHES: US26D Satin Chrome, DURO

KEYWAY: 6 pin solid brass "C" keyway Rim Cylinder standard.
Optional: Sargent LA-LB-LC and Kwikset.

(IC) INTERCHANGEABLE CORE: Interchangeable Core locks will accept compatible 6 or 7 pin cores with BEST, FALCON and ARROW.

(ICSC) INTERCHANGEABLE CORE: Indicates function available with Schlage Full size format Interchangeable Core.