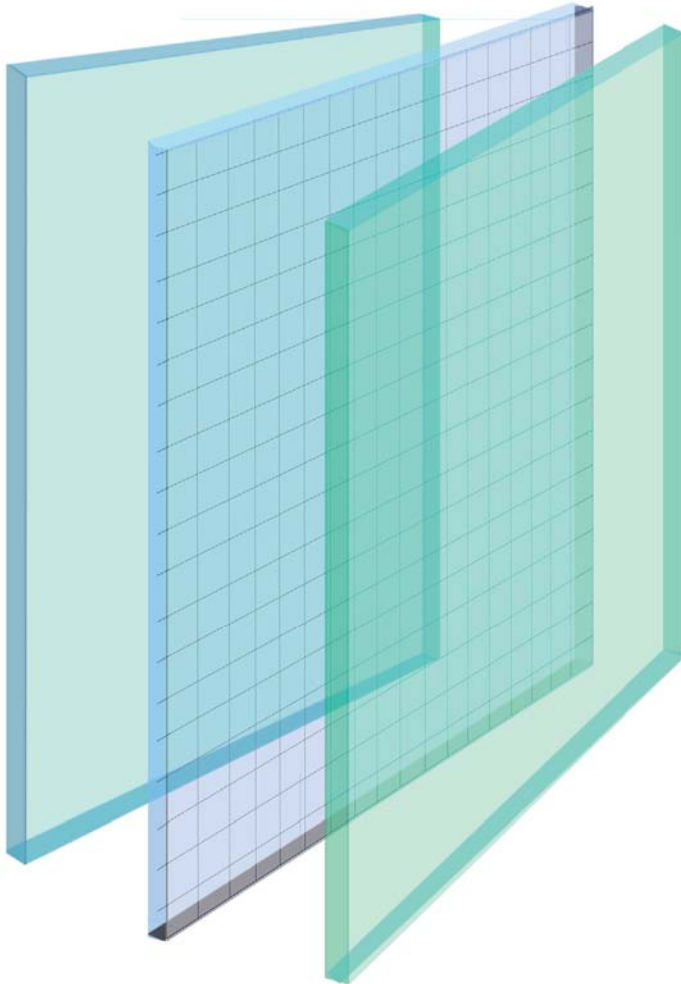


Tempered, Pyran and Wire Shield

Glass for Low & Standard Profile Lite Kits



Pyran (PPF)

UL labeled standard, 3/16" thick glass ceramic. Surface applied heavy duty safety film. Install in fire listed and labeled vision lite frames. Use of glazing compound or glazing tape on both sides of glass is recommended to minimize breakage.

Thickness: 3/16" (5mm)

Light transmission: 80% approx

Minimum size: 4" x 6"

Maximum sheet size: 43" x 77"

Fire Rating: 20 to 180 minutes (3 hrs)

WireShield (WS)

UL labeled standard, 1/4" wired glass. Embedded 3/4" x 3/4" wire mesh. Annealed single glazing with safety film applied to one side. Install in fire listed and labeled vision lite frames. Use of glazing compound or glazing tape on both sides of glass is recommended to minimize breakage.

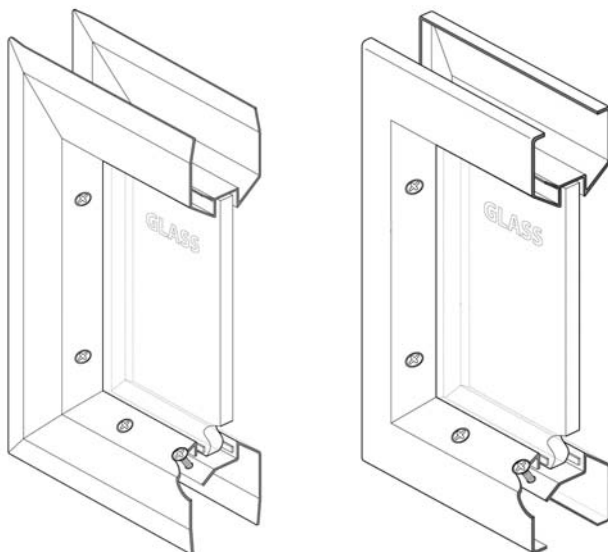
Thickness: 1/4" (6mm)

Light transmission: 86% approx

Minimum size: 4" x 4"

Maximum sheet size: 36" x 84"

Fire Rating: 20 to 90 minutes



Tempered Glass (TEMP)

Clear wire free glass recommended for non fire rated applications. Heat treated clear safety glass that breaks into small particles. Glass cannot be cut after manufacturing. Use of glazing compound or glazing tape on both sides of glass is recommended to minimize breakage.

Thickness: 1/4" (6mm)

Light transmission: 86% approx

Minimum size 2" x 2"

Maximum sheet size 88" x 118"

Fire Rating: Non-fire Rated