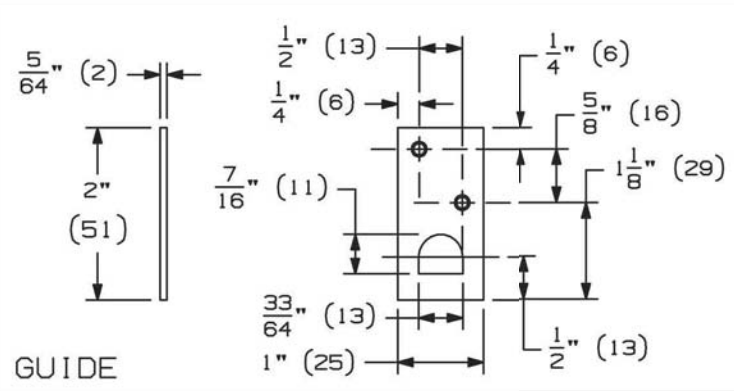
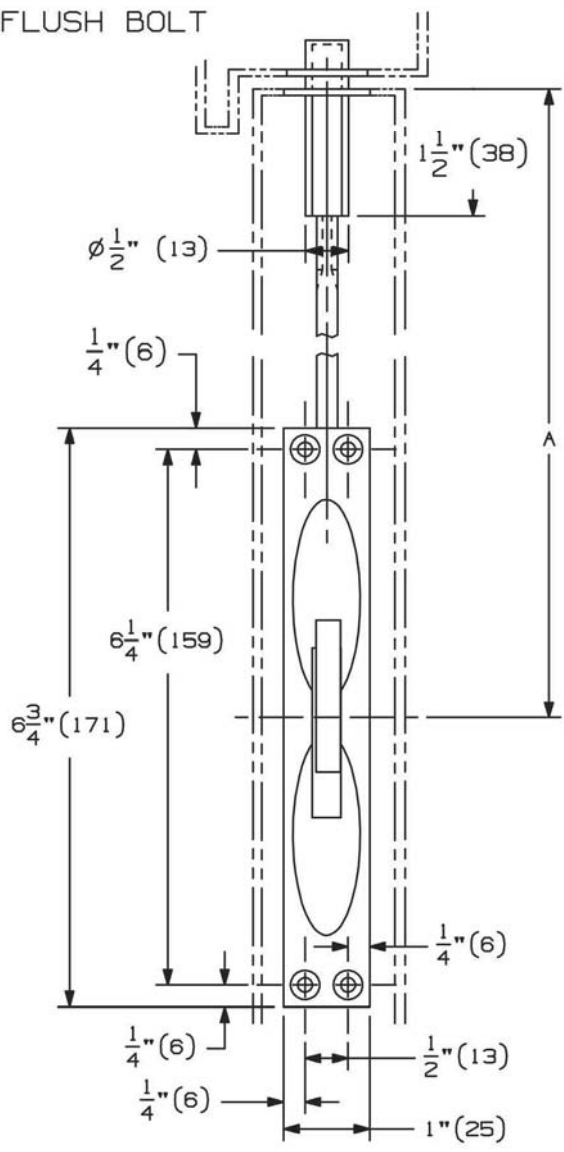


STRIKE



GUIDE

FLUSH BOLT

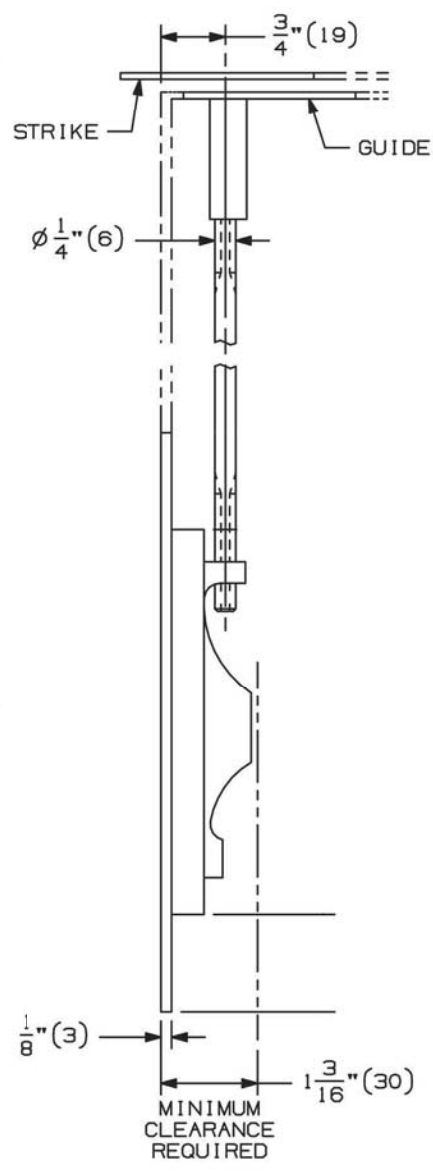


NOTES:

- A = 12" (305) IS STANDARD, OTHER SIZES ARE OPTIONAL. ONLY THE 6" (152), 9" (229), 12" (305) & 24" (610) ARE UL LISTED FOR FIRE DOORS.

| | | | | | | | |
|---|-----|-----|-----|-----|-----|-----|------|
| A | 6 | 9 | 18 | 24 | 30 | 36 | 48 |
| | 152 | 229 | 457 | 610 | 762 | 914 | 1219 |

- THE DOOR MUST HAVE AT LEAST 1/4" (6) UNDERCUT.



INSTALLATION INSTRUCTIONS:

- MORTISE INACTIVE DOOR
- HANG INACTIVE DOOR, WITH DOOR OPEN. MEASURE MINIMUM CLEARANCE FROM DOOR TO FINISHED FLOOR.
- REMOVE DOOR. INSTALL FLUSH BOLT. ADJUST TOP BOLT SO IT IS FLUSH WITH TOP OF DOOR. ADJUST BOTTOM BOLT TO PROJECT 1/8" (3) LESS THAN MINIMUM CLEARANCE.
- INSTALL GUIDE.
- INSTALL STRIKE.
- HANG DOOR.

FIELD ADJUSTMENTS:

- VERTICAL ROD ADJUSTMENT
- TOP BOLT - REMOVE GUIDE, TURN BOLT AS NECESSARY TO ADJUST.
 - BOTTOM BOLT - REMOVE DOOR FROM HINGES. REMOVE GUIDE. TURN BOLT AS NECESSARY TO ADJUST.

INSTALLATION INSTRUCTIONS FOR MF6341 PREVIOUSLY ULFB634

SOLID BRASS COMMERCIAL MANUAL FLUSH BOLT, UL LISTED

DIMENSIONS ARE IN INCHES AND (MILLIMETERS)

DRAWINGS ARE NOT TO SCALE

