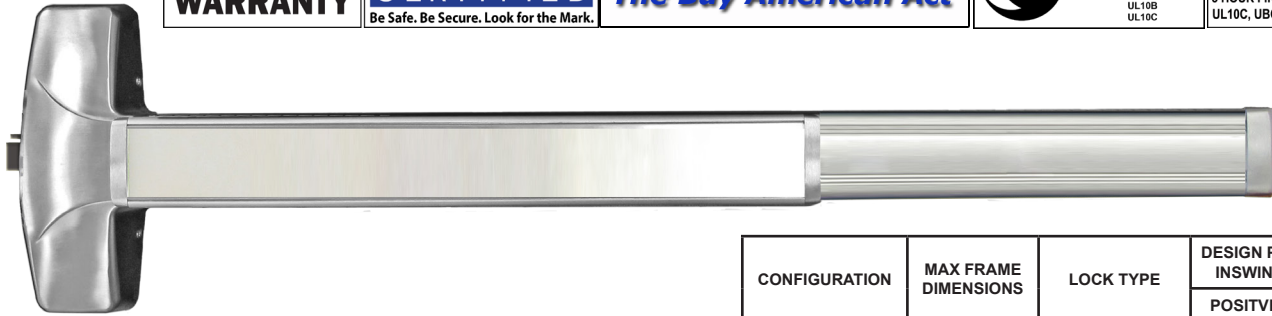


## 7700 & F7700 Rim Type Panic And Fire Exit Devices 7760 & F7760 Vertical Rod Panic And Fire Exit Devices ANSI A156.3, Grade 1



CONFIGURATION	MAX FRAME DIMENSIONS	LOCK TYPE	DESIGN PRESSURE (PSF) INSWING / OUTSWING	
			POSITIVE	NEGATIVE
SINGLE	40" X 88"	7700V SERIES 7700 SERIES	+70.0	-70.0
DOUBLE	76" x 88"	7700V SERIES	+70.0	-70.0

### Features & Construction

- ◆ **Retrofits Von Duprin 99 & 98 Series using 7700 Escutcheon Trim**
- ◆ For use in institutions, schools, universities, commercial buildings where heavy duty reliable operation is a requirement
- ◆ ANSI A156.3, Grade 1 heavy duty exit device in surface vertical rod and rim designs
- ◆ Rail assemblies are heavy duty extruded aluminum body with Stainless Steel push pad and end caps are made of brass, bronze or stainless steel. Rail travels in direction of the door swing
- ◆ Trims are thru-bolted for additional security
- ◆ Conforms & Meets ADA Regulations
- ◆ UL Listed for Panic and ULC10C, UBC 7-2-1997 codes
- ◆ UL Listed for Fire Exit Hardware. 3 hours
- ◆ (A) label rating on pairs of doors up to 8'0" x 8'0" swinging in same or opposite directions
- ◆ Uncompromising security and safety in single and double fire exit doors
- ◆ Chassis mounted unit construction. Rim and vertical rod devices are non-handed and easily reversible
- ◆ Available in many different functions. Lever and escutcheon trims are grade 1 construction with clutch on rose trims. Escutcheon trims are rigid and covers 161 cut out

### Suggested Architect's Specifications

- ◆ All exit devices shall be of touch bar design with smooth operation and be operative over 2/3 of the door's clear opening width
- ◆ All exit devices must be listed under "Panic Hardware" in the Accident Equipment List of Underwriters' Laboratories, Inc. Where labeled doors are used as exits, they must be equipped with labeled Fire Exit Hardware and UL10C, UBC 7-2-1997 codes
- ◆ All springs shall be of Stainless Steel throughout
- ◆ All exit devices shall be of chassis mounted unit construction.
- ◆ All exit devices shall be ANSI A156.3, Grade 1

# 7700 & F7700 Series



## GRADE 1 Rim Type Exit Device

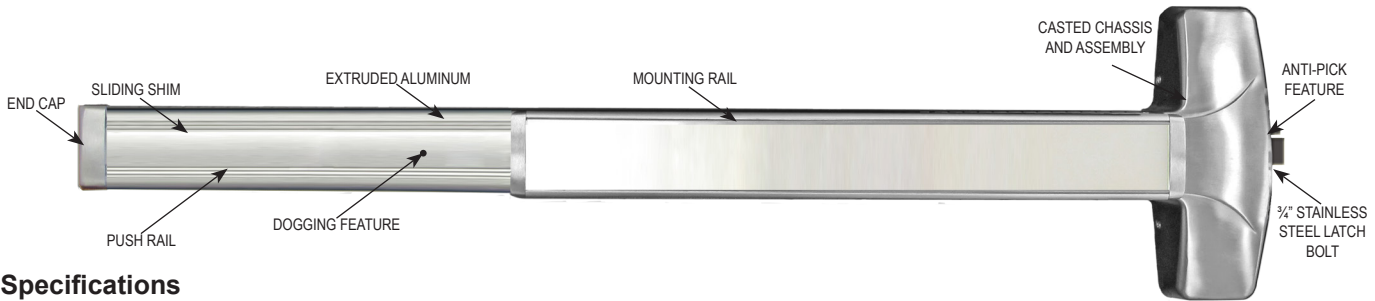
**LIFETIME WARRANTY**

**BHMA**  
CERTIFIED  
Be Safe. Be Secure. Look for the Mark.

**MEETS**  
*The Buy American Act*

HURRICANE APPROVED HARDWARE  
FLORIDA BUILDING CODE:  
**FL13922**  
ASTM E1885/E1996  
ASTM E830  
TAS 201, 202, 203  
UL10B  
UL10C

**UL** US  
3 HOUR FIRE RATED  
UL10C, UBC7-2-1997



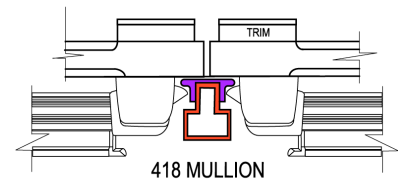
### Specifications

<b>For Doors.....</b>	1 3/4" thick standard optional 2 1/4" thick. 4 1/2" minimum stile width for single or double door application using standard 938 strike and pull lever, thumbpiece and escutcheon trims. 2 3/4" backset
<b>Chassis.....</b>	Non-ferrous Alloy (Panic Grade), Steel (Fire Grade)
<b>Cover.....</b>	Non-ferrous plated material. Covers stock hollow metal doors with 161 cut out
<b>Mounting.....</b>	Furnished with wood and machine screws. Available thru-bolts on request. <b>Thru-bolts are included and standard packaging on fire rated devices</b>
<b>End Cap.....</b>	Brass, Bronze or Stainless Steel construction
<b>Alarm.....</b>	Available. Prefix "NALRM" before MODEL #
<b>Hand.....</b>	Non-handed, center hub for 2 3/4" backset
<b>Latch Bolt.....</b>	Stainless Steel 3/4" throw with anti-pick feature
<b>Spring.....</b>	Stainless Steel throughout
<b>ANSI Standard.....</b>	A156.3, Grade 1
<b>Rail Assembly.....</b>	Heavy gauge extruded aluminum body with Stainless Steel push pad
<b>Strike.....</b>	938 packed standard (See strike page)
<b>Dogging Feature.....</b>	Allen-type key furnished standard on non-fire labeled devices
<b>Mullion.....</b>	Available
<b>UL and ULC Listed.....</b>	7700 Series for panic. F7700 Series for fire exit hardware for all types of 4' x 8' single doors and 8' x 8' double doors for up to 3 hour fire labeled installations. Conforms to standards UL10C and UBC 7-2-1997 codes
<b>Finish.....</b>	Architectural plated finishes
<b>Electronic Functions.....</b>	(ELR) Electrical Latch Retraction and RX & LX Signal Switch available

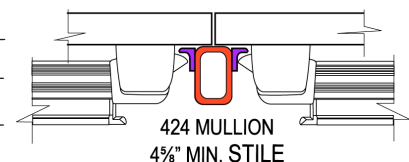
### 4 1/2" Minimum Stile Requirements

#### DOUBLE DOOR

4 1/2" MIN. STILE

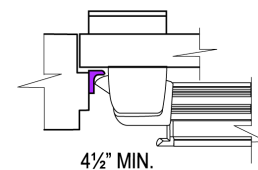


424 MULLION  
4 5/8" MIN. STILE



#### SINGLE DOOR

4 1/2" MIN.



### DIMENSIONS

Touchbar height to finished floor 41" (1041 mm) at center

#### Touchbar projection

Neutral 3 5/8" (92 mm)

Depressed 2 7/8" (73 mm)

Center case 8 1/16" x 2 3/4" x 2 1/2" (205 mm x 70 mm x 63 mm)

MODEL	ACTUAL LENGTH	MAX CUT DOWN	DOOR SIZE
7700EO36 and F7700EO36	32"	6"	30" to 36" door width
7720EO48 and F7720EO48	44"	10"	38" to 48" door width

# 7760V & F7760V Series

## GRADE 1 Vertical Rod Type Exit Device

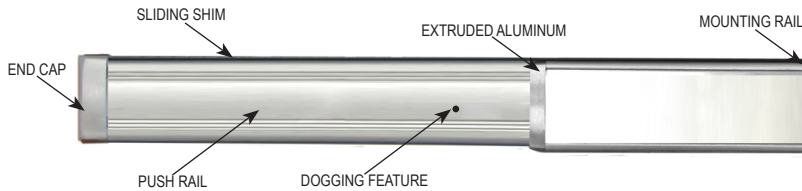


<b>LIFETIME WARRANTY</b>	<b>BHMA CERTIFIED</b> Be Safe. Be Secure. Look for the Mark.	<b>MEETS</b> <i>The Buy American Act</i>	<b>HURRICANE APPROVED HARDWARE</b> FLORIDA BUILDING CODE: <b>FL 13922</b> ASTM E 1886/E1996 ASTM E 530 TAS 201, 202, 203 UL 108 UL 10C	<b>UL US</b> 3 HOUR FIRE RATED UL 10C, UBC7-2-1997
--------------------------	---	---	---	--



### Specifications

<b>For Doors.....</b>	1 3/4" thick standard optional 2 1/4" thick. 3 3/4" minimum stile width required for single door application. 3 1/2" minimum stile width required for double door application. Lever, thumb piece and escutcheon trims available. 2 3/4" backset
<b>Top &amp; Bottom Chassis.....</b>	Non-ferrous Alloy (Panic Grade), Steel (Fire Grade)
<b>Cover.....</b>	Non-ferrous plated material. Covers stock hollow metal doors with 161 cut out.
<b>Mounting.....</b>	Furnished with wood and machine screws. <b>Thru-bolts are included and standard packaging on fire rated devices.</b>
<b>End Cap.....</b>	Brass, Bronze or Stainless Steel construction
<b>Alarm.....</b>	Available. Prefix "NALRM" before MODEL #
<b>Hand.....</b>	Handed. Easily field reversible. Specify at time of order LHR, RHR for convenience



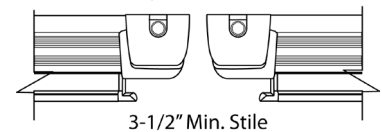
<b>Latch Bolt &amp; Spring.....</b>	Stainless Steel
<b>Spring.....</b>	Stainless Steel throughout
<b>ANSI Standard.....</b>	A156.3, Grade 1
<b>Rail Assembly.....</b>	Heavy gauge extruded aluminum body with Stainless Steel push pad
<b>Strike.....</b>	See strike page
<b>Dogging Feature.....</b>	Allen-type key furnished standard on non-fire labeled devices
<b>UL and ULC Listed.....</b>	7760 Series for panic. F7760 Series for fire exit hardware for all types of <b>8' x 10' double doors</b> for up to 3 hour fire labeled installations. Conforms to standards UL10C and UBC 7-2-1997 codes
<b>Finish.....</b>	Architectural plated finishes
<b>Electronic Functions.....</b>	(ELR) Electrical Latch Retraction and RX & LX Signal Switch available

### DIMENSIONS

Touch bar height to finished floor	41" (1041 mm) at center
Touch bar projection	
Neutral	3 5/8" (92 mm)
Depressed	2 7/8" (73 mm)
Center case	8 1/16" x 2 3/4" x 2 1/2" (205 mm x 68 mm x 62 mm)
Panic grade top & bottom latch case	3 15/16" x 2 1/8" x 1 3/8" (100 mm x 52 mm x 42 mm)
Fire grade top latch case	3 15/16" x 2 9/16" x 2 1/16" (100 mm x 68 mm x 53 mm)
Fire grade bottom latch case	3 15/16" x 2 1/8" x 1 3/8" (100 mm x 52 mm x 42 mm)
Top and bottom rod length for 36" x 84" doors	Top rod 37 1/2" (955 mm), bottom rod 35 5/8" (905 mm)
Top and bottom rod length for 48" x 96" doors	Top rod 49 5/8" (1260 mm), bottom rod 35 5/8" (905 mm)
Vertical Rods	1/2" (13 mm) Round tubing

### MINIMUM STILE REQUIREMENTS

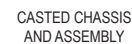
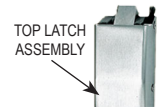
Double Door with Two Vertical Rod Type Exit Devices



MODEL	ACTUAL SIZE	MAXIMUM CUT DOWN	DOOR SIZE
7760V3684, F7760V3684, 7790V3696, F7790V3696, 7750V36120, F7750V36120	32"	6"	30" to 36" door width
7780V4896, F7780V4896, 7740V48120, F7740V48120	44"	10"	38" to 48" door width

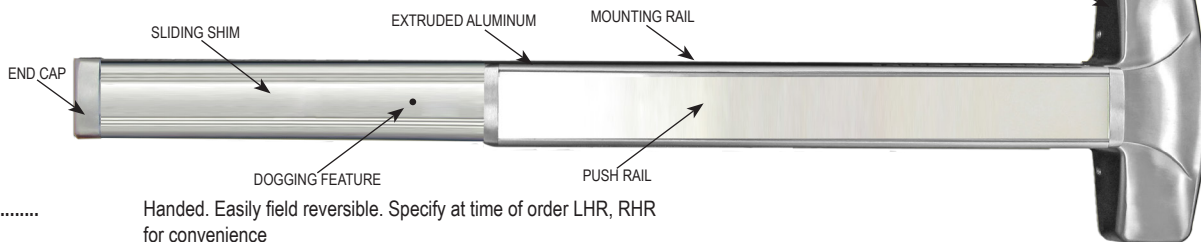
# LBR7760V & LBRF7760V Series

## GRADE 1 Vertical Rod Exit Device Less Bottom Rod (LBR)



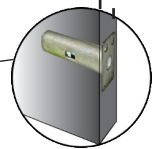
### Specifications

For Doors.....	1 3/4" thick standard optional 2 1/4" thick. 3 3/4" minimum stile width required for single door application. 3 1/2" minimum stile width required for double door application. Lever, thumb piece and escutcheon trims available. 2 3/4" backset
Top Chassis.....	Non-ferrous Alloy (Panic Grade), Steel (Fire Grade)
Cover.....	Non-ferrous plated material. Covers stock hollow metal doors with 161 cut out
Mounting.....	Furnished with wood and machine screws. <b>Thru-bolts are included and standard packaging on fire rated devices</b>
End Cap.....	Brass, Bronze or Stainless Steel construction
Alarm.....	Available. Prefix "NALRM" before MODEL #



Hand.....	Handed. Easily field reversible. Specify at time of order LHR, RHR for convenience
Latch Bolt & Spring.....	Stainless Steel
Spring.....	Stainless Steel throughout
ANSI Standard.....	A156.3, Grade 1
Rail Assembly.....	Heavy gauge extruded aluminum body with Stainless Steel push pad
Strike.....	See strike page
Dogging Feature.....	Allen-type key furnished standard on non-fire labeled devices
UL and ULC Listed.....	7760 Series for panic. F7760 Series for fire exit hardware for all types of 8' x 8' double doors for up to 3 hour fire labeled installations. Conforms to standards UL10C and UBC 7-2-1997 codes
Finish.....	Architectural plated finishes
Electronic Functions.....	(ELR) Electrical Latch Retraction and RX & LX Signal Switch available

AUXILLIARY FIRE LATCH ASSEMBLY INCLUDED



### DIMENSIONS

Touch bar height to finished floor	41" (1041 mm) at center
Touch bar projection	
Neutral	3 5/8" (92 mm)
Depressed	2 7/8" (73 mm)
Center case	8 1/16" x 2 3/4" x 2 1/2" (205 mm x 68 mm x 62 mm)
Panic grade top & bottom latch case	3 15/16" x 2 1/8" x 1 3/8" (100 mm x 52 mm x 42 mm)
Fire grade top latch case	3 15/16" x 2 9/16" x 2 1/8" (100 mm x 68 mm x 53 mm)
Fire grade bottom latch case	3 15/16" x 2 1/8" x 1 3/8" (100 mm x 52 mm x 42 mm)
Top rod length for 36" x 84" doors	Top rod 37 1/2" (955 mm)
Top rod length for 48" x 96" doors	Top rod 49 5/8" (1260 mm)
Vertical Rods	1/2" (13 mm) Round tubing

### MINIMUM STILE REQUIREMENTS

Double Door with Two Vertical Rod Type Exit Devices



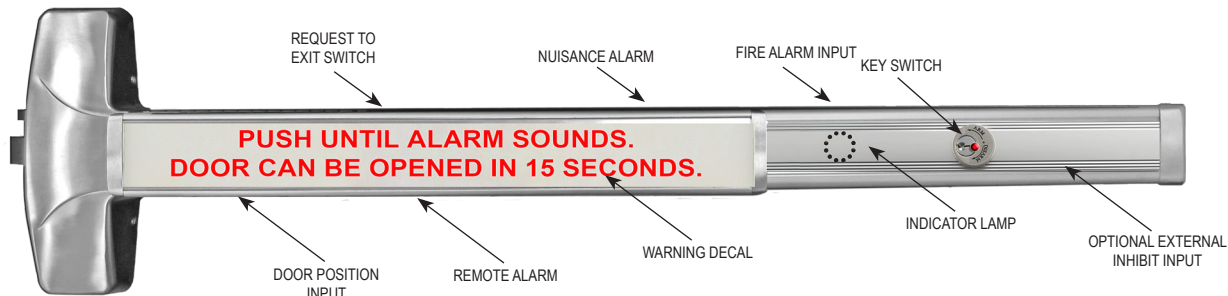
MODEL	ACTUAL SIZE	MAXIMUM CUT DOWN	DOOR SIZE
LBR7760V3684, LBRF7760V3684, LBR7790V3696, LBRF7790V3696, LBR7750V36120	32"	6"	30" to 36" door width
LBR7780V4896, LBRF7780V4896, LBR7740V48120	44"	10"	38" to 48" door width

# DE7700 Series

GRADE 1 Delayed Egress All in One Exit Device

ANSI BHMA A156.24 Delayed Egress Locking System Approved

<b>BHMA</b> <small>CERTIFIED</small> <small>Be Safe. Be Secure. Look for the Mark.</small>	<b>MEETS</b> <i>The Buy American Act</i>	 <small>3 HOUR FIRE RATED UL10C, UBC7-2-1997</small>	<b>5-YEAR</b> <b>WARRANTY</b>
--	---	---	----------------------------------



FEATURES		
EGRESS DELAY	BUILT-IN ANNUNCIATION	CODE COMPLIANCE
<ul style="list-style-type: none"> <li>All in One Device</li> <li>15 or 30 second exit delay (Factory set to 15 secs)</li> <li>1 or 2 second nuisance delay</li> <li>Alarm and Lock reset</li> <li>1 to 30 second momentary bypass</li> <li>Sustained bypass</li> </ul>	<ul style="list-style-type: none"> <li>Armed mode</li> <li>Nuisance mode</li> <li>Irreversible egress mode</li> <li>Release mode</li> <li><u>Optional External Inhibit Input</u></li> <li>Remote override</li> <li>Remote reset</li> </ul>	<ul style="list-style-type: none"> <li>IFC International Fire Code</li> <li>IBC International Building Code</li> <li>NFPA 101 Life Safety Code</li> <li>NFPA 1 Uniform Fire Code</li> <li>California Building Code</li> <li>Field selectable automatic or manual power up after emergency release or power loss</li> </ul>
CONTROL INPUTS	TRIGGER MODES	MONITORING OUTPUTS
<ul style="list-style-type: none"> <li>1 to 30 second request-to-exit and bypass input with anti-tailgate and jumper selectable door prop alarm</li> <li>Reset</li> </ul>	<ul style="list-style-type: none"> <li>Egress Alarm triggered by Push Bar</li> <li>Trigger input from external device field selectable (N/O or N/C)</li> </ul>	<ul style="list-style-type: none"> <li>Armed mode</li> <li>Nuisance mode</li> <li>Release status</li> </ul>

**MUST ORDER CR602RF or CR631RF POWER SUPPLY TO HONOR WARRANTY AND UL MARKING**

TECHNICAL SPECIFICATIONS	APPLICATION
<ul style="list-style-type: none"> <li>24VDC @ 430mA</li> <li>24VDC @ 250mA Slave</li> </ul> <p>Power Supply CR602RF 1 Amp / CR631RF 1.5 Amp</p> <div style="display: flex; justify-content: space-around;"> <div style="text-align: center;"> <p><b>CR631RF</b></p> </div> <div style="text-align: center;"> <p><b>CR602RF</b></p> </div> </div> <ul style="list-style-type: none"> <li>Field selectable 12 or 24V DC, regulated and filtered</li> <li>Auto resetting output circuit protection</li> <li>Isolated 13.5/27V DC battery charger</li> <li>Low battery disconnect</li> <li>Emergency release input</li> <li>Field selectable UBC &amp; California compliant manual power up</li> <li>Input, output and battery status LED's</li> <li>CR631RF - 16" x 14" x 6.5", CR602RF - 12" x 12" x 4" enclosure</li> <li>Choice of output and door control modules</li> <li>CR631RF - 1.5 Amp, CR602RF - 1.0 Amp</li> <li>Batteries not included</li> </ul>	<p>When unauthorized egress is initiated the device delays egress through the door for 15 seconds (or 30 seconds). Meanwhile, the person exiting must wait while personnel or security responds. The door unlocks after 15 seconds have elapsed permitting egress. When powered by a fire control supervised power supply, the lock will release immediately in an emergency.</p> <p>FOR USE WITH: (FIRE AND NON-FIRE)</p> <ul style="list-style-type: none"> <li>DE7700 Rim Panic Exit Device</li> <li>DEF7700 Rim Panic Exit Device</li> <li>DEMCVR7700 Concealed Vertical Rod (metal doors)</li> <li>DEWCVR7700 Concealed Vertical Rod (wood doors)</li> <li>DEFMVCVR7700 Concealed Vertical Rod (metal doors)</li> <li>DEFWCVR7700 Concealed Vertical Rod (wood doors)</li> <li>DE7700V Surface Vertical Rod Exit Device<sup>1</sup></li> <li>DEF7700V Surface Vertical Rod Exit Device<sup>1</sup></li> <li>DEMR7700 Mortise Exit Device</li> <li>DEFMR7700 Mortise Exit Device</li> </ul> <p><sup>1</sup>Recommends use of rod and latch guards and strike monitor for surface vertical rods</p>



# 7700 Series Delayed Egress Models

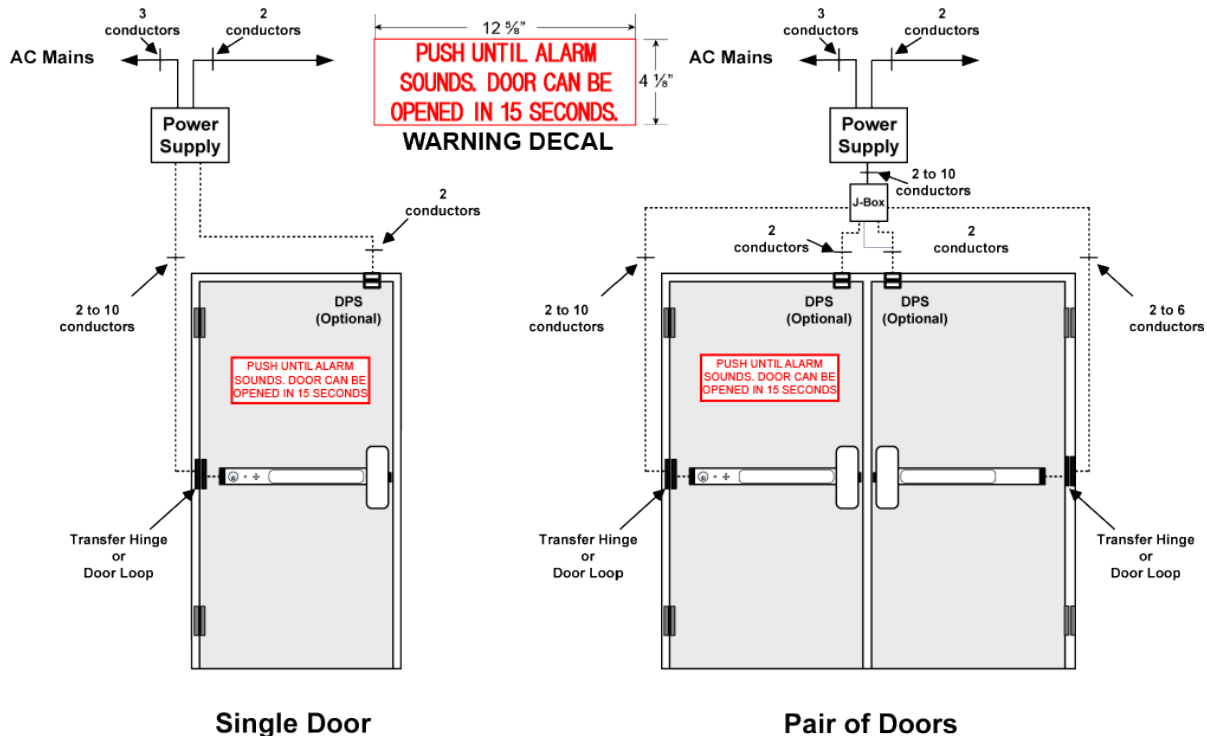
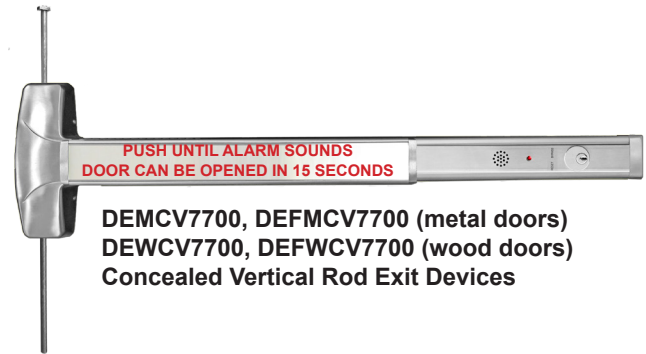
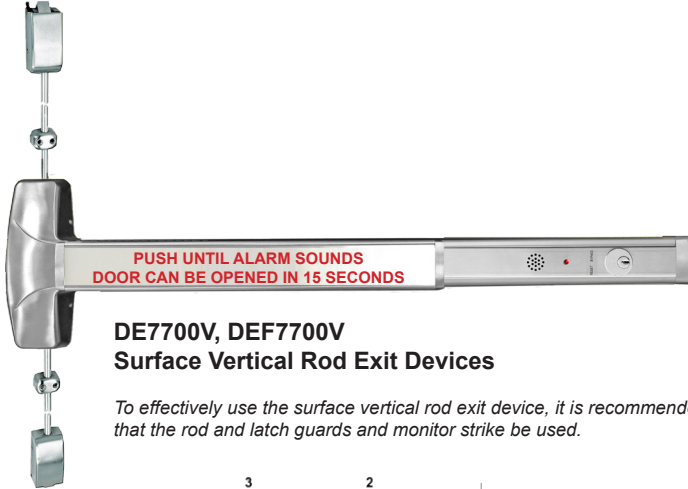
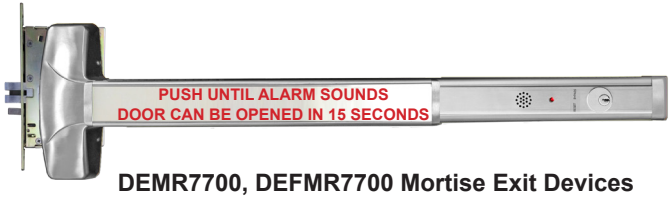


## GRADE 1 Delayed Egress All in One Exit Device

## ANSI BHMA A156.24 Delayed Egress Locking System Approved

For use in institutions, schools, universities, commercial buildings where heavy duty reliable operation is a requirement. 7700 Series Delayed Egress can also be used for fire exit hardware for all types of 4' x 8' single doors and 8' x 8' double doors for up to 3 hour fire labeled installations, it conforms to standards UL10C and UBC 7-2-1997 codes.

<b>BHMA</b> <b>CERTIFIED</b> Be Safe. Be Secure. Look for the Mark.	<b>MEETS</b> <i>The Buy American Act</i>	3 HOUR FIRE RATED UL10C, UBC7-2-1997	<b>5-YEAR</b> <b>WARRANTY</b>
---	---	---	----------------------------------



**MUST ORDER CR602RF OR CR631RF POWER SUPPLY TO HONOR WARRANTY AND UL MARKING**

# Alarm Exit Hardware



## Rim Type Exit Devices

NALRM770036	Alarm Rim Type 36" Door (Panic Grade)
NALRM772048	Alarm Rim Type 48" Door (Panic Grade)
FNALRM770036	Alarm Rim Type 36" Door (Fire Grade)
FNALRM772048	Alarm Rim Type 48" Door (Fire Grade)

## Vertical Rod Type Exit Devices

Prefix "NALRM" before PART #

## Features

- 1, 3, 5-minute and continuous alarm type settings available
- ON and OFF power switch
- Alarm sound frequency is 120 db
- Alarm unit has internal horn. When the push rail is depressed, the horn sounds to provide an audible means of signaling that the door has been opened and breached.
- The key switch to turn alarm off is a standard 1 1/4" cylinder with "C" keyway. The alarm operates on one standard 9-volt transistor battery. When battery is weak the horn will emit an intermittent signal.
- Alarmed units are supplied with a micro switch, which monitors the push rail and the latch bolt for foolproof security on rim devices.
- Alarm unit has a signal OC output that can be linked to external alarm control systems.
- Unit includes "EMERGENCY EXIT ONLY • ALARM WILL SOUND" decal for application on door or unit.

## Cylinder Dogging Kit

**TO ORDER:** Prefix "CD" before PART #. Available for all 7700 Series devices except fire exit hardware. To order **KIT ONLY:** use PART # 36CD7700 for 36" and 48CD7700 for 48" devices. Specify finish.



## Finishes (Refer to Price List for Stock Finishes)

Cal-Royal	Description	BHMA	US Finish	Material
10B	Oil Rubbed Bronze	613	US10B	Bronze
32D	Satin Stainless	630	US32D	Stainless Steel

- (IC) **INTERCHANGEABLE CORE:** Interchangeable Core locks will accept compatible 6 or 7-Pin cores with BEST, FALCON and ARROW
- (ICSC) **INTERCHANGEABLE CORE:** Indicates function available with **Schlage Full Size Format** Interchangeable Core. Corbin, Sargent and Yale format also available.

# Trim Selection



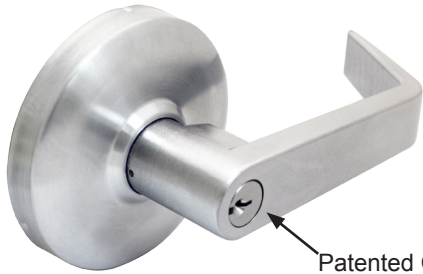
## CLUTCH CYLINDRICAL LEVER

Non-handed Grade 1 (Clutch Style)

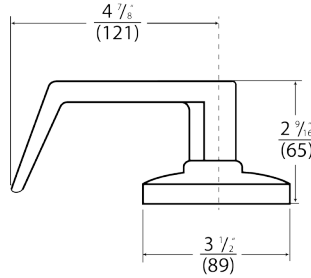
Cylindrical body hardened steel heavy duty tailpiece. For 1 3/4" and 2 1/4" doors. Prefix "THI" before Part # for 2 1/4" door thickness. Available for fire and non-fire rated rim and vertical rod exit devices.

Rose diameter 3 1/2", lever length 4 3/4". Fits and covers 161 cutout.

Finishes: Architectural plated finishes.



Patented Clutch Freewheeling



- ENT00L or
- ICENT00L or
- ICSCENT00L4
- SARICENT00L (Sargent)
- RUSICENT00L (Corbin / Russwin)
- YALICENT00L (Yale)
- 8000K

**ENTRANCE**  
Key locks and unlocks lever. Operates as CLASSROOM FUNCTION.  
ANSI Function – 08

Ball Knob Keylock

- STR05L or
- ICSTR05L or
- ICSCSTR05L4
- SARICSTR05L (Sargent)
- RUSICSTR05L (Corbin / Russwin)
- YALICSTR05L (Yale)

**STOREROOM**  
Key operates lever, otherwise always locked.  
ANSI Function – 04

PAS30L

**PASSAGE**  
Trim always operable and free.  
ANSI Function - 15

DUM40L

**DUMMY**  
Dummy trim. One sided  
ANSI Function – 10

When ordering "AT" and "SPA" designs, prefix design name before Part #. Example: ENT00L in "AT" is **ATENT00L**.

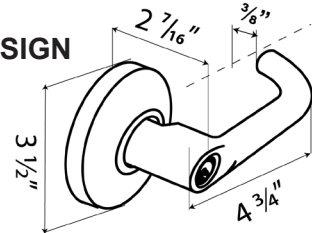
**KEYWAY:** 6-Pin solid brass "C" keyway standard. Optional: Schlage E, Schlage C-K, Russwin D1-2-3-4, Corbin 59/60, Sargent LA-LB-LC, Falcon/Weiser E, Arrow A, Yale 8, Yale GA and Kwikset. Can also accept Medeco, Assa, Kaba and **Cal-Royal HSK** High Security Cylinders.

- **(IC) INTERCHANGEABLE CORE:** Interchangeable Core locks will accept compatible 6 or 7-Pin cores with BEST, FALCON and ARROW
- **(ICSC) INTERCHANGEABLE CORE:** Indicates function available with
- **Schlage Full Size Format** Interchangeable Core. Corbin, Sargent and Yale format also available.

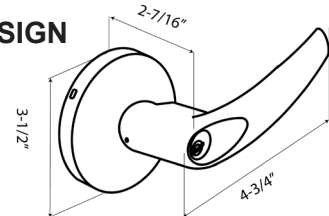
### Other Lever Trim Designs



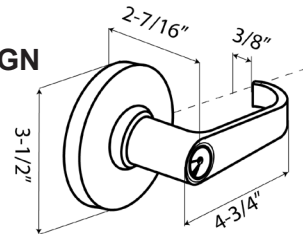
**TUB DESIGN**



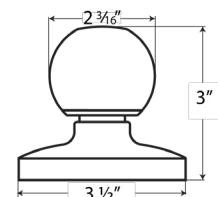
**AT DESIGN**



**SPA DESIGN**



**8000K**





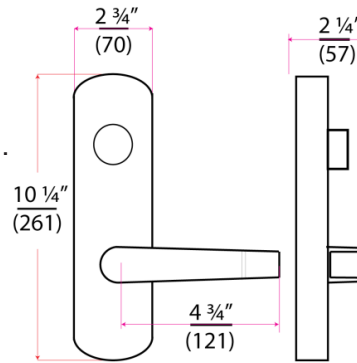
# Trim Selection

## RIGID LEVER ESCUTCHEON



### CONSTRUCTION

- Rigid, non-clutch mechanism
- Double heavy duty spring support to prevent sagging and enhance operation
- Grade 1, thru-bolted design. Non-handed design. Easily field reversible
- Hardened steel heavy duty tailpiece. Available for fire and non-fire rated rim and vertical rod exit devices
- Standard 6-Pin Schlage "C" Mortise Cylinder included



### DOOR THICKNESS

Standard 1 3/4". For 2 1/4" thick door use additional Part # TAIL3

### ESCUTCHEON DIMENSIONS

2 3/4" width X 10 1/4" length. Lever length: 4 3/4". Fits and covers 2 1/8" 161 cutout

#### ESC7700 or

- ICESC7700 or
- ICSCESC7700

#### ESC7705 or

- ICESC7705 or
- ICSCESC7705

#### ESC7730

#### ESC7740

#### ENTRANCE

Rigid Entrance, key locks or unlocks escutcheon trim ANSI FUNCTION (63) Operates as classroom function

#### STOREROOM

Rigid Storeroom, key unlocks lever, lever retracts latch bolt, otherwise always locked ANSI FUNCTION (04)

#### PASSAGE

Trim always operable and free ANSI Function (62)

#### DUMMY

Dummy Escutcheon trim ANSI FUNCTION (10)

**TO ORDER** other lever design insert "AT" or "RL" before "ESC":  
e.g. **ATESC7700** for ESC7700 with AT design or **RLESC7700** for ESC7700

**KEYWAY:** 6-Pin solid brass "C" keyway Mortise Cylinder standard. Optional: Schlage E, Schlage C-K, Russwin D1-2-3-4, Corbin 59/60, Sargent LA-LB-LC, Falcon/Weiser E, Arrow A, Yale 8, Yale GA and Kwikset. Can also accept Medeco, Assa, Kaba and *Cal-Royal HSK* High Security Cylinders.

**FOR ELECTRIFIED TRIM OPTIONS SEE PAGE 12**

- **(IC) INTERCHANGEABLE CORE:** Interchangeable Core locks will accept compatible 6 or 7-Pin cores with BEST, FALCON and ARROW
- **(ICSC) INTERCHANGEABLE CORE:** Indicates function available with Schlage Full Size Format Interchangeable Core. Corbin, Sargent and Yale format also available.

### Lever Trim Designs



**NESC**



**ATESC**



**RLESC**



**TUBESC**

# Trim Selection



## HEAVY DUTY STAINLESS STEEL CLUTCH LEVER ESCUTCHEON (High Frequency Abusive Situation such as Schools, Hospitals, Industrial / Institutional)

### CONSTRUCTION

- Clutch mechanism
- Double heavy duty spring support to prevent sagging and enhance operation
- Grade 1, thru-bolted design. Non-handed design. Easily field reversible
- All Stainless Steel heavy duty tailpiece.  
Available for fire and non-fire rated rim and vertical rod exit devices
- Standard 6-Pin Schlage "C" Mortise Cylinder included

### DOOR THICKNESS

Standard 1 3/4" to 2". For 2" or 2 1/2" thick door use additional Part # TAIL9

### ESCUTCHEON DIMENSIONS

2 5/8" width X 10 5/8" length. Lever length: 4 5/8".

Fits and covers 2 1/8" 161 cutout

<b>HDESC-00 or</b>	<b>ENTRANCE</b>
<b>ICHDESC-00</b>	Clutch Entrance, key locks or unlocks escutcheon trim
<b>ICSCHDESC-00</b>	ANSI FUNCTION (63) Operates as classroom function
<b>HDTSESC-00</b>	
<b>ICHDTSESC-00</b>	
<b>ICSCHDTSESC-00</b>	
<b>HDESC-05 or</b>	<b>STOREROOM</b>
<b>ICHDESC-05</b>	Clutch Storeroom, key unlocks lever, lever retracts
<b>ICSCHDESC-05</b>	latch bolt, otherwise always locked
<b>HDTSESC-05</b>	ANSI FUNCTION (04)
<b>ICHDTSESC-05</b>	
<b>ICSCHDTSESC-05</b>	
<b>HDESC-30</b>	<b>PASSAGE</b>
<b>HDTSESC-30</b>	Trim always operable and free
	ANSI Function (62)
<b>HDESC-40</b>	<b>DUMMY</b>
<b>HDTSESC-40</b>	Dummy Escutcheon trim ANSI FUNCTION (10)

**KEYWAY:** 6-Pin solid brass "C" keyway Mortise Cylinder standard. Optional: Schlage E, Schlage C-K, Russwin D1-2-3-4, Corbin 59/60, Sargent LA-LB-LC, Falcon/Weiser E, Arrow A, Yale 8, Yale GA and Kwikset. Can also accept Medeco, Assa, Kaba and *Cal-Royal HSK* High Security Cylinders.

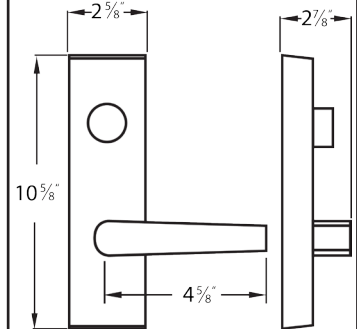
**FOR ELECTRIFIED TRIM OPTIONS SEE PAGE 12**

- **(IC) INTERCHANGEABLE CORE:** Interchangeable Core locks will accept compatible 6 or 7-Pin cores with BEST, FALCON and ARROW
- **(ICSC) INTERCHANGEABLE CORE:** Indicates function available with **Schlage Full Size Format** Interchangeable Core. Corbin, Sargent and Yale format also available.

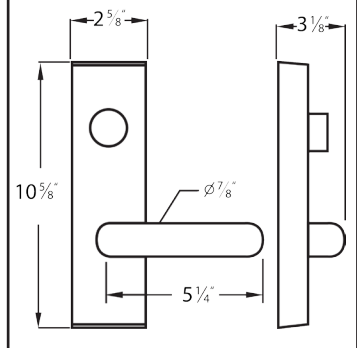
### Lever Trim Designs



**HDESC**



**HDTSESC**



# Trim Selection



## PULL DESIGN

- 7700 NL
- IC7700NL
- ICSC7700NL

### FOR RIM DEVICES ONLY

Outside by pull and key.  
Key retracts latch bolt.  
ANSI function – 03  
Covers 161 cutout

### KEYWAY

Standard 6-Pin solid brass “C”  
keyway Rim Cylinder included.

### FINISHES

Architectural plated finishes.



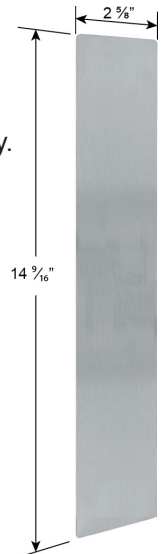
### 7700 DTP

Outside by pull only.  
Pull when dogged.  
ANSI function – 02  
Covers 161 cutout.



### 7700 EOP

Outside by plate only.  
ANSI function – 10  
Covers 161 cutout



- 77TP00 or
- IC77TP00
- ICSC77TP00

### ENTRANCE

Key locks or unlocks thumbpiece.  
(Operates as classroom function)  
ANSI Function – 63

- 77TP05 or
- IC77TP05
- ICSC77TP05

### STOREROOM

Key unlocks thumbpiece, thumbpiece retracts  
latch bolt, otherwise always locked.  
ANSI Function-04

### 77TP30

### PASSAGE

Trim always operable and free.  
ANSI Function – 62

### 77TP40

### DUMMY

Dummy trim. **Includes blank Mortise  
dummy cylinder.** One sided.  
ANSI function – 10

### KEYED



### DUMMY



**KEYWAY:** 6-Pin solid brass “C” keyway Mortise Cylinder standard. Optional: Schlage E, Schlage C-K, Russwin D1-2-3-4, Corbin 59/60, Sargent LA-LB-LC, Falcon/Weiser E, Arrow A, Yale 8, Yale GA and Kwikset. Can also accept Medeco, Assa, Kaba and **Cal-Royal HSK** High Security Cylinders.

### ● (IC) INTERCHANGEABLE CORE

Interchangeable Core locks will accept compatible 6 or 7-Pin cores with BEST, FALCON and ARROW.

- (ICSC) INTERCHANGEABLE CORE: Indicates function available with **Schlage Full Size Format** Interchangeable Core. Corbin, Sargent and Yale format also available.

### FINISHES

Architectural plated finishes.

# Electrified Lever Trim

Cal-Royal's electrified lever trim provides remote locking and unlocking capabilities using industry safety standards. The 24V DC solenoid can be energized from a distant controller, thus allowing access control of the opening.

The control of stairwells in high-rise buildings is a common application for this trim, where electric pullback of the exit device's latch bolt is cost prohibitive or not required. This is especially practical in applications where fire/life safety codes require a "fail-safe" condition which is not an option with electrified latch pullback devices. Because the current draw is quite low there is no need for a more expensive power supply to provide the surge current.

## Features

- Continuous duty solenoids used to insure trouble-free operation
- Internally mounted solenoid to ease installation (no special door prep required)
- No hassle 3-year warranty

## Options

- Available Fail Safe (Electrically Locked) or Fail Secure (Electrically Unlocked)
- Voltage options – 12V or 24V (AC/DC)
- Request to Enter Switch (REE)
- CRU2 – Current Reduction Unit to improve solenoid life in "continuously on" applications

## Specifications

Solenoid..... Continuous Duty 24VDC

Operating Voltage.... 12 or 24VAC/DC + OR – 10%  
(must specify 12 or 24 volts when ordering)

Amperage.....260mA@12V / 160mA@24V

Coil Resistance.....12V=49Ω / 24V=159Ω

## To order, Specify:

OPTIONS: FAIL SAFE (FS)  
FAIL SECURE (FSE)

ITEM#	DESCRIPTION
FS12	FS12 FAIL-SAFE OPTION 12V AC/DC
FS24	FS24 FAIL-SAFE OPTION 24V AC/DC
FSE12	FSE12 FAIL-SECURE OPTION 12V AC/DC
FSE24	FSE24 FAIL-SECURE OPTION 24V AC/DC

**TO ORDER** other design add "ESC77", "ATESC77", "RLESC77", "TUBESC77"  
e.g. FSE24**ATESC77** for ESC77 in AT design or FSE24**RLESC77** for ESC77 in RL design

**TO ORDER** heavy duty design add **HD** or **TS** to Item#  
e.g. FS12**HD** or FS12**TS**



# (ELR) Electric Latch Retraction

Our motor driven electrified latch pullback exit device allows for remote keyless access control in high occupancy / high traffic conditions where exit devices are required. Common applications include conditions such as hospitals, airports, schools, churches and they are commonly specified in applications that require automatic door openers. The device may be continuously energized allowing for a push / pull condition if desired.

**Features:**

- Available on 7700 Series, including rim, vertical rod, concealed vertical rod fire-rated devices
- MM3 Smart Module: On board diagnostics with audible feedback for adjustment and power issues
- “PTS” (Push to Set Technology): 5 second electronic adjustment for easy post installation adjustment
- Electric dogging rated for continuous duty - Auto retraction if dogged push pad is pulled from position
- Low current draw
- Up to 500’ wire run with (2) 18ga wire - Long wire runs provides installer with convenience of placing the locking device power supply in a centralized location; i.e. the same closet as the access panel
- 6’ cable with Quick Connect for MM3 module to easily connect to power supply lead
- 3-year “No Hassle” warranty

**FOR FIELD INSTALLATION  
USE FLR7700 KIT**

**Specifications:**

- Voltage – 22 to 28 VDC
- System protection – unit shutdown when voltage exceeds 28VDC
- Average In-rush Current – 1A; Average Hold Current -180mA
- PTS adjustment – approx. 1/4”
- Wire run: 500’ with 18ga wire; 700’ with 16ga wire



**To order, specify:**

- Prefix **ELR** before PART #

**MUST USE CRP POWER SUPPLIES  
TO HONOR WARRANTY (see page 15)**

## Signal Switch RX and LX

**RX** (request to exit) signal switch is used to signal the use of an opening from the push side. When the push pad is depressed, the switch is activated. These devices are equipped with an internal SPDT (single pole double throw) switch that monitors the touch bar.

**LX** (latch bolt monitoring) signal switch monitors both egress and access of an opening. When the latch bolt is retracted, the switch is activated. These devices are equipped with an internal SPDT (single pole double throw) switch that monitors the latch bolt position.

**LX** and **RX** switches can be combined.

**LX, RX** switches can be used in combination with ELR (electric latch retraction) option.

**Specifications**

**RX** or **LX**.....Switch rated 0.5 amps @ 24VAC/DC resistive  
 Low current **RX** or **LX**.Switch rated 0.5 amps @ 24VAC/DC resistive  
 For Factory Installed:

**To Order, Specify:**

- Prefix: - **RX7700**.....Request to Exit switch for field installation
- LX7700**.....Latch bolt Monitoring switch for field installation
- LXR7700**.....Latch bolt Monitoring/Request to Exit Combination



# Heavy Duty Digital Exit Trims

## MECHANICAL CRCODE101

### Features

- Heavy Duty
- Designed for 7700 and 9800 Series
- Grade 1 Panic Exit Device
- Single code (up to 8000 code combinations)
- Weather-resistant finish
- Code can be changed anytime without dismounting
- Full size, non-handed lever handle
- Easy Installation
- Reversible Handing

## ELECTRONIC CRCODE007

### Features

- Dual mode for code free entry either mechanically by key or electronically thru the keypad
- Designed for 7700 and 9800 Series
- Can store up to 90 different numeric user codes in 4, 5 or 6 digits
- Settings remain in memory when batteries are removed
- Audible alarm sounds after 3 incorrect attempts
- Connections available for remote release switch and automatic lock activation when linked to Fire alarm system
- Can be used as STOREROOM or CLASSROOM function
- Factory default set as STOREROOM function
- Fast and easy programming via master code

## CR5000 TRILOGY® KEYLESS EXIT TRIM

### Features

- Clutch mechanism insures long life and durability
- Fingertip and/or Windows programmable
- 2000 User Codes: Master, manager, supervisor and users
- Real Time Clock for up to 40,000 Event Time/Date-Stamped Audit Trail
- Up to 500 Lock/Unlock Schedules (with Time Zone Support)
- Rugged 12-Button Metal Keypad
- Non-Handed; Fully Field Reversible
- Adaptable to most major manufacturers of standard RIM and IC RIM Cylinders
- Battery operated; uses 5 AA batteries
- Optional Interchangeable Core available with Best, Falcon, Arrow Small Format and Schlage Full Size Format IC Cores

## MECHANICAL CRCODE 204

### Features

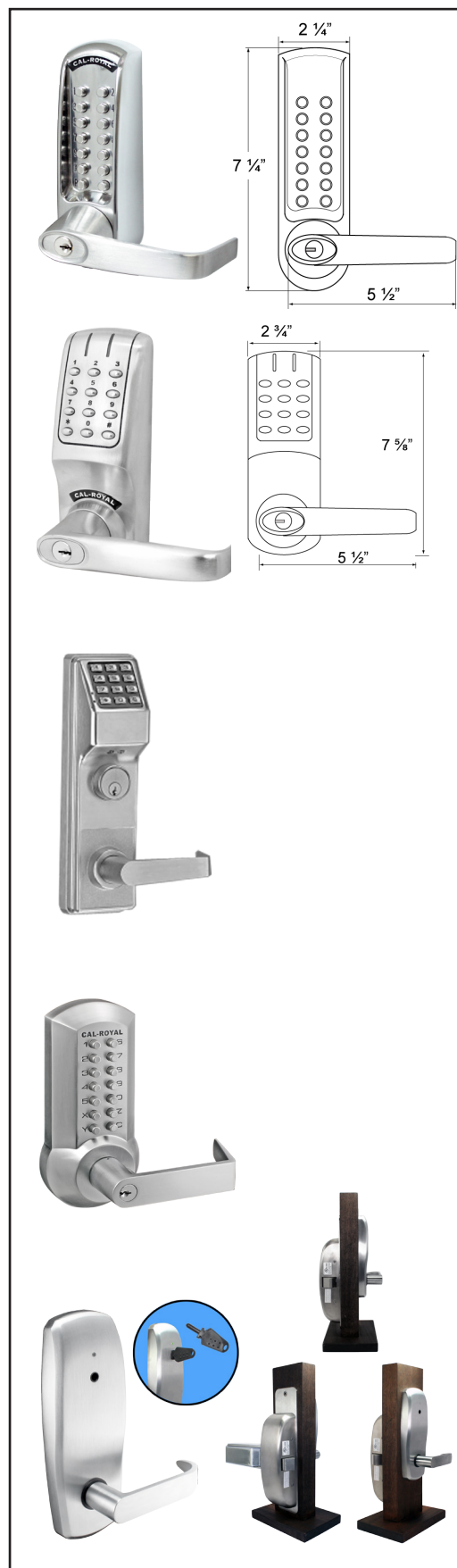
- Breakaway Lever Design
- Easy On-Door Code Change
- Weather Resistant
- Code-Free Option (Passage)
- Non-Handed
- 1 - 12 digit Length Code
- Thousands of Possible Code Combinations
- Single Code User
- Applications: Offices, Schools, Hospitals, Apartments, Hotels/Motels, Residential, Commercial and Public Buildings
- Door Thickness: 1 3/4" - 2"

**NEW ITEM**

## KABA® - Cal-Royal Combination

Cal-Royal's Exit hardware devices combined with Kaba InSync CP provide a variety of alternatives when addressing community access control. Recommended for applications such as controlling building entry openings, common area rooms and doors with exit devices. InSync CP are available as stand-alone battery operated door locks designed to work in conjunction with Cal-Royal's Exit Hardware Devices.

**KABA InSync CP is not sold through CAL-ROYAL.** For inquiries and information on InSync line of products please visit [www.kabamultihousing.com](http://www.kabamultihousing.com)



# POWER SUPPLIES FOR ELECTRIFIED EXIT DEVICES



The CRPS1N is a heavy duty, high quality, low cost solution for powering a single latch retracting exit device. The solid-state design insures years of trouble-free operation. The power supply delivers raw, unregulated DC current which is ideal for the extreme in-rush requirement of most motor driven electric latch retracting exit devices. The power supply comes housed in a sturdy, yet compact metal enclosure.

## CRPS1N



### Features:

- Power supply delivers the necessary high current in-rush for a single exit device
- Solid-state design eliminates problems associated with mechanical relays
- Single input/output
- No hassle 2-year warranty



### Specifications:

- Input voltage – 120 VAC
- Output voltage – 24 VDC unregulated @ 1A
- Temperature range – 0 to 120°F
- 1 Solid-State input/output (input triggered by dry contact)
- LEDs – RED = Power indicator
- GREEN = Channel on
- Enclosure dimensions: 10" x 10" x 4"

The CRPS2 Series power supplies are high quality, cost effective solution for powering two electric latch-retracting exit devices. These power supplies provide the necessary surge current that most latch-retracting exit devices require. The CRPS2 Series offers features found on power supplies costing much more; and the solid-state design and careful attention to detail make the CRPS2 Series ideal choice for the discerning user who requires a power supply that can offer years of trouble-free operation.

## CRPS2 CRPS2BB



### Features:

- Delivers the necessary in-rush current to power two latch pullback exit devices.
- Two independent inputs/outputs
- Solid-state design eliminates Mechanical problems associated with relays
- Thermal overload sensing reduces risk of failure due to overheating
- Fire alarm disconnect link
- Inputs triggered by dry contact
- Intelligent short circuit detection detects shorts much faster than fuses and isolates the short to the individual output
- Removable Euro-style terminal blocks allow for easy installation
- UL Pending at time of print
- No hassle 2-year warranty

### Additional Features (CRPS2BB Only):

- Efficient battery backup/charging circuitry with zero voltage drop at power loss
- Solid state reverse polarity protection for battery connections
- Audible alert when sensing AC power failure & low battery (batteries not included)
- Output Voltage – 24 VDC unregulated @ 2.3A
- Enclosure dimensions: 12.5" x 15" x 4"

### Specifications:

- Input Voltage – 120 VAC
  - Output Voltage – 24 VDC unregulated @ 2A\*\*
  - Temperature Range – 0° to 120°F
  - 1 Solid-State input/output (input triggered by dry contact)
  - LEDs – RED = Power indicator
  - GREEN = Channel on
  - Enclosure dimensions: 10" x 10" x 4" \*\*
- \*\*CRPS2 only**

The CRSW3 power supply is a low cost, regulated switching power supply. It is designed specifically to supply power to low current DC devices such as mortise locks, cylindrical locks and electric strikes. The CRSW3 supplies 2.4A @ 27VDC and provides (3) non-fused outputs. The CRSW3 comes housed in a 10" x 10" x 4" sturdy metal enclosure.



## CRSW3

### Features:

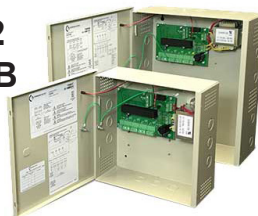
- Adjustable output voltage (22-27V under load)
- No hassle 2-year warranty

### Specifications:

- Input voltage – 110 or 240VAC
- Output voltage – 2.4A @ 27VDC
- (3) Non-fused outputs
- Enclosure dimensions : 10" x 10" x 4"

CRPS202/202B linear design makes it a perfect match for electric locks, motor driven exit devices, electric strikes, and mag locks.

## CRPS202 CRPS202B



### Features:

- Built to run up to 2 locks, exit trim and LP Motor Kits
- Interruption-free battery back-up
- Door mounted LED Power Indicator
- Over-voltage protection
- Regulated, independent battery charging
- Fire alarm link
- No hassle 2-year warranty

### Specifications:

- Input voltage – 120 VAC, 60 Hz
- Input Fuse: 2 Amp Fuse @ 250VAC
- Output voltage – 2A @ 24VDC
- Temperature range: 0 to 49° C; 32 to 120° F
- Maximum humidity: 85%

The CRPS5 power supply is a regulated, linear power supply rated at 5 Amps @ 24VDC. Its state-of-the-art, solid-state design offers a flexible and cost effective solution to powering and controlling low current DC locking devices. It is available in 4, 6, and 8 I/O models.

## CRPS5 (5 Amps, 1 I/O)

### OPTIONS:

- CRPS5-4 (1.25 Amps, 4 I/O)
- CRPS5-6 (0.83 Amps, 6 I/O)
- CRPS5-8 (0.625 Amps, 8 I/O)



### Features:

- Adjustable output voltage from 24-27VDC
- Independent, Battery backup charging circuit at 27.6V with Solid-state design and very low voltage loss
- No hassle 2-year warranty

### Specifications:

- Input voltage - 110 VAC
- Output voltage - 24VDC @ 5A continuous current
- Up to (8) Solid-state inputs (specify dry contact or voltage trigger)
- Up to (8) Solid-state outputs
- Thermal auto-resettable fuses



# MCVR7700 & FMCVR7700 Series



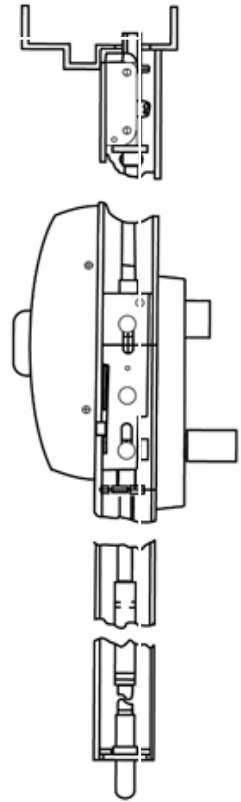
## Optional Less Bottom Rod (LBR)

## Grade 1 Concealed Vertical Rod Exit Device for Metal Doors

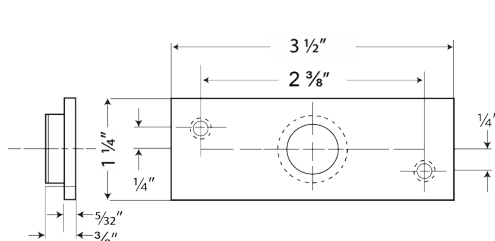


### Specifications

<b>LBR (Optional)</b> .....	No bottom strike. Free access for wheel chairs, stretchers and carts which eliminates tripping potential and disfiguration of floors due to dragging of bottom bolts.
<b>For Doors</b> .....	Metal. 1 3/4" (44.5 mm) minimum thickness 4 1/2" (114 mm) minimum stile width
<b>Top Chassis</b> .....	Non-ferrous Alloy (Panic Grade), Steel (Fire Grade)
<b>Chassis Cover</b> .....	Non-ferrous plated material
<b>Mounting</b> .....	Furnished standard with machine screws
<b>End Cap</b> .....	Brass, Bronze or Stainless Steel construction
<b>Hand</b> .....	Handed. Easily field reversible. Specify at time of order LHR, RHR for convenience
<b>ANSI Standard</b> .....	A156.3, Grade 1
<b>Strikes</b> .....	260 top and 265 bottom
<b>Top and Bottom Bolts</b> .....	Stainless Steel . Top and bottom bolt travel 7/16" (11 mm) Projection adjustable up to 1" (25 mm)
<b>Fire Exit Hardware</b> .....	FMCVR7700 Series for fire exit hardware for all types of <b>8' x 10' double doors</b> , LBR Series for fire exit hardware for all types of <b>8' x 8' double doors</b> for up to 3 hour fire labeled installations. Conforms to standards UL10C and UBC 7-2-1997 codes
<b>Rail Height</b> .....	Specify door opening and mounting height of center line of rail when ordering a Vertical Rod Exit Device 41" from floor
<b>Trim</b> .....	See Trim Designs section
<b>Electronic Functions</b> .....	(ELR) Electrical Latch Retraction and RX & LX Signal Switch available
<b>Alarm</b> .....	Prefix " <b>NALRM</b> " before PART #
<b>Dogging Feature</b> .....	Cylinder dogging available for non-rated applications

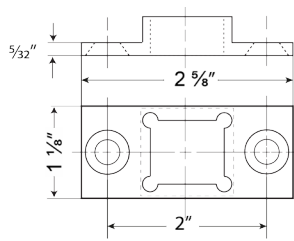


MODEL SIZE	ACTUAL LENGTH	MAX CUT DOWN	DOOR SIZE
M77CVR3684, FM77CVR3684, M77CVR3696, FM77CVR3696, M77CVR36120, FM77CVR36120	32"	6"	30" to 36" door width
M77CVR4896, FM77CVR4896, M77CVR48120, FM77CVR48120	44"	10"	38" to 48" door width



**260 TOP STRIKE**

- For applications metal frames
- Stainless Steel



**265 BOTTOM STRIKE**

- Furnished with expansion shields
- Mortised into floor
- Stainless Steel

# WCVR7700 & FWCVR7700 Series



## Optional Less Bottom Rod (LBR) GRADE 1 Concealed Vertical Rod Exit Device for Wood Doors



**LIFETIME WARRANTY**

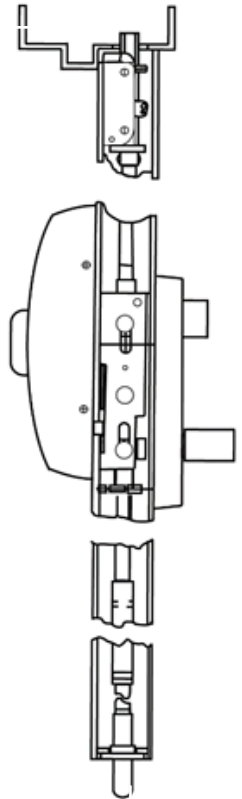
**BHMA™ CERTIFIED**  
Be Safe. Be Secure. Look for the Mark.

**MEETS**  
*The Buy American Act*

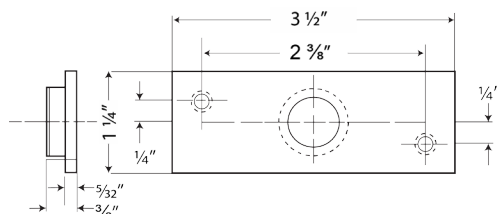
**UL® US**  
3 HOUR FIRE RATED  
UL10C, UBC7-2-1997

### Specifications

<b>LBR (Optional)</b> .....	No Bottom Strike. Free access for wheel chairs, stretchers and carts which eliminates tripping potential and disfiguration of floors due to dragging of bottom bolts.
<b>For Doors</b> .....	Wood. 1 3/4" (44.5 mm) minimum thickness 4 1/2" (114 mm) minimum stile width
<b>Top Chassis</b> .....	Non-ferrous Alloy (Panic Grade), Steel (Fire Grade)
<b>Chassis Cover</b> .....	Non-ferrous plated material
<b>Mounting</b> .....	Furnished standard with machine screws
<b>End Cap</b> .....	Brass, Bronze or Stainless Steel construction
<b>Hand</b> .....	Handed. Easily field reversible. Specify at time of order LHR, RHR for convenience
<b>ANSI Standard</b> .....	A156.3, Grade 1
<b>Strikes</b> .....	260 top and 265 bottom
<b>Top and Bottom Bolts</b> .....	Stainless Steel . Top and bottom bolt travel 7/16" (11 mm) Projection adjustable up to 1" (25 mm)
<b>Fire Exit Hardware</b> .....	FWCVR7700 Series for fire exit hardware for all types of 8' x 10' double doors, LBR Series for fire exit hardware for all types of 8' x 8' double doors for up to 3 hour fire labeled installations. Conforms to standards UL10C and UBC 7-2-1997 codes
<b>Rail Height</b> .....	Specify door opening and mounting height of center line of rail when ordering a Vertical Rod Exit Device 41" from floor
<b>Trim</b> .....	See Trim Designs section
<b>Electronic Functions</b> .....	(ELR) Electrical Latch Retraction and RX & LX Signal Switch available
<b>Alarm</b> .....	Prefix "NALRM" before PART #
<b>Dogging Feature</b> .....	Cylinder dogging available for non-rated applications

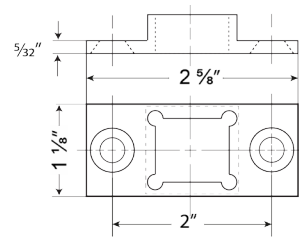


MODEL SIZE	ACTUAL LENGTH	MAX CUT DOWN	DOOR SIZE
W77CVR3684, FW77CVR3684, W77CVR3696, FW77CVR3696, W77CVR36120, FW77CVR36120	32"	6"	30" to 36" door width
W77CVR4896, FW77CVR4896, W77CVR48120, FW77CVR48120	44"	10"	38" to 48" door width



**260 TOP STRIKE**

- For applications metal frames
- Stainless Steel



**265 BOTTOM STRIKE**

- Furnished with expansion shields
- Mortised into floor
- Stainless Steel



# MCVR7700, FMCVR7700, WCVR7700 & FWCVR7700

## Concealed Vertical Rod Exit Devices For Wood and Metal Doors



# Trim Selection

## ESCUTCHEON LEVER DESIGN

### CONSTRUCTION

- Free-wheeling clutch mechanism
- Grade 1, thru-bolted design
- Non-handed design. Easily field reversible.

### FINISHES

Architectural plated finishes

### DOOR THICKNESS

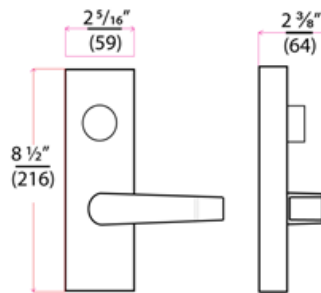
Standard 1 3/4"

### ESCUTCHEON DIMENSIONS

2 5/16" width X 8 1/2" length. Lever length: 4 3/4".  
Fits and covers 2 1/8" 161 cutout



CVRESC



### Lever Trim Designs



RLCVRESC



ATCVRESC



TUBCVRESC

#### CVRESC00 or

• ICCVRESC00 or

• ICSCCVRESC00

#### ENTRANCE

Clutch Entrance, key locks or unlocks escutcheon trim  
ANSI FUNCTION (63) Operates as classroom function

#### CVRESC05 or

• ICCVRESC05 or

• ICSCCVRESC05

#### STOREROOM

Clutch Storeroom, key unlocks lever, lever retracts  
latch bolt, otherwise always locked, ANSI FUNCTION (04)

#### PASSAGE

CVRESC30 Trim always operable and free, ANSI Function (62)

#### DUMMY

CVRESC40 Dummy Escutcheon trim, ANSI FUNCTION (10)

**KEYWAY:** 6-Pin solid brass "C" keyway Mortise Cylinder standard. Optional: Schlage E, Schlage C-K, Russwin D1-2-3-4, Corbin 59/60, Sargent LA-LB-LC, Falcon/Weiser E, Arrow A, Yale 8, Yale GA and Kwikset. Can also accept Medeco, Assa, Kaba and **Cal-Royal HSK** High Security Cylinders.

• **(IC) INTERCHANGEABLE CORE:** Interchangeable Core locks will accept compatible 6 or 7-Pin cores with BEST, FALCON and ARROW

• **(ICSC) INTERCHANGEABLE CORE:** Indicates function available with **Schlage Full Size Format** Interchangeable Core. Corbin, Sargent and Yale format also available.

**FOR ELECTRIFICATION OPTION:  
SPECIFY ITEM# UPON ORDERING  
FOR ENTRANCE, STOREROOM, AND  
PASSAGE ESCUTCHEON LEVER TRIMS**

ITEM#	DESCRIPTION
FS12CVR	FAIL-SAFE (FS) OPTION 12V AC/DC
FS24CVR	FAIL-SAFE (FS) OPTION 24V AC/DC
FSE12CVR	FAIL-SECURE (FSE) OPTION 12V AC/DC
FSE24CVR	FAIL-SECURE (FSE) OPTION 24V AC/DC

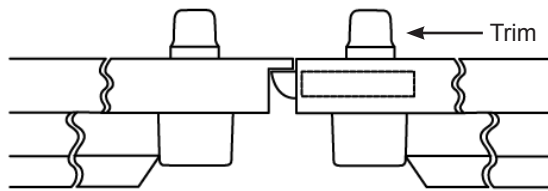


# MR7700 & FMR7700 Series

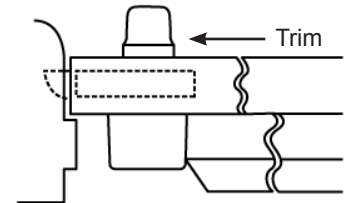


## GRADE 1 Mortise Lock Exit Device

<b>LIFETIME WARRANTY</b>	<b>BHMA™</b> CERTIFIED Be Safe. Be Secure. Look for the Mark.	<b>MEETS</b> <i>The Buy American Act</i>	<b>UL</b> @ US 3 HOUR FIRE RATED UL10C, UBC7-2-1997
--------------------------	---	---	---



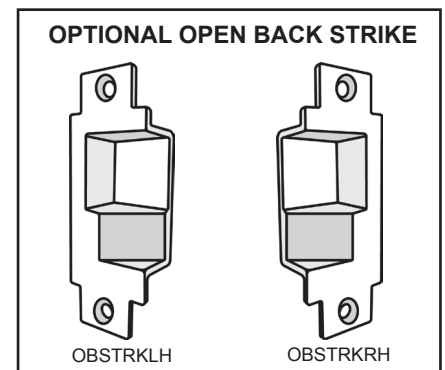
Pair of Doors



Single Doors

### Specifications

<b>For Doors.....</b>	Wood/Metal 1 3/4" (44.5 mm) minimum thickness 4 1/2" (114 mm) minimum stile width
<b>Chassis.....</b>	Non-ferrous Alloy
<b>Chassis Cover.....</b>	Non-ferrous plated material
<b>Mounting.....</b>	Furnished standard with wood and machine screws
<b>End Cap.....</b>	Brass, Bronze or Stainless Steel construction
<b>Handing.....</b>	Handed. Non-Reversible. Specify RHR or LHR for convenience
<b>ANSI Standard.....</b>	A156.3, Grade 1
<b>Strikes.....</b>	Standard ANSI strike
<b>Fire Exit Hardware.....</b>	FMR7700 Series for fire exit hardware for all types of 8' x 8' double doors for up to 3 hour fire labeled installations. Conforms to standards UL10C and UBC 7-2-1997 codes.
<b>Mortise Lock.....</b>	Grade (1) for 1 3/4" (44.5mm) thick doors. Handed (Non-Reversible). Specify RHR or LHR. Fits door prepared for ANSI Standard A115.1
<b>Trim.....</b>	See Trim Designs section
<b>Electronic Functions.....</b>	(ELR) Electrical Latch Retraction and RX & LX Signal Switch available
<b>Alarm.....</b>	Prefix "NALRM" before PART #
<b>Dogging Feature.....</b>	Cylinder dogging available for non-fire rated applications



MODEL SIZE	ACTUAL LENGTH	MAX CUT DOWN	DOOR SIZE
MR7700EO36, FMR7700EO36 MR7705EO36, FMR7705EO36	32"	6"	30" to 36" door width
MR7700EO48, FMR7700EO48 MR7705EO48, FMR7705EO48	44"	12"	36" to 48" door width

# MR7700 & FMR7700 Series

## GRADE 1 Mortise Lock Exit Device

### Trim Selection



#### ESCUTCHEON LEVER DESIGN

#### FINISHES

Architectural plated finishes

#### DOOR THICKNESS

Standard 1 3/4"

#### HANDING

Non-Handed Trim

#### ESCUTCHEON DIMENSIONS

2" width X 8 1/2" length. Lever length: 4 3/4".



Also available in TS Trim

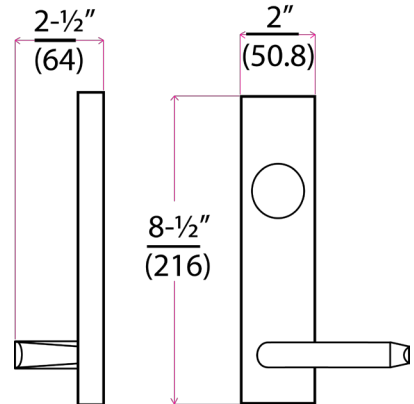
- MRESC-00 or MRESC00TS or
- ICMRESC-00 or
- ICSCMRESC-00
- ICMRESC-00TS

**ENTRANCE**  
Key locks or unlocks lever  
Operates as classroom function  
ANSI FUNCTION (63)

**IMPORTANT: MR7700 and FMR7700 Mortise Lock case comes standard with exit device. (TRIMS SOLD SEPARATELY)**

- MRESC-05 or MRESC05TS or
- ICMRESC-05 or
- ICSCMRESC-05 or
- ICMRESC-05TS

**STOREROOM**  
Key retracts latch bolt, otherwise always locked  
ANSI FUNCTION (04)  
\*MUST USE MR7705EO36/48 Mortise Rim Exit



- MRESC-30
- MRESC30TS

**PASSAGE**  
Trim always operable and free  
ANSI FUNCTION (62)  
\*MUST USE MR7705EO36/48 Mortise Rim Exit

**KEYWAY:** 6-Pin solid brass "C" keyway Mortise Cylinder standard. Optional: Schlage E, Schlage C-K, Russwin D1-2-3-4, Corbin 59/60, Sargent LA-LB-LC, Falcon/Weiser E, Arrow A, Yale 8, Yale GA and Kwikset. Can also accept Medeco, Assa, Kaba and **Cal-Royal HSK** High Security Cylinders.

●(IC) **INTERCHANGEABLE CORE:** Interchangeable Core locks will accept compatible 6 or 7-Pin cores with BEST, FALCON and ARROW

●(ICSC) **INTERCHANGEABLE CORE:** Indicates function available with Schlage Full Size Format Interchangeable Core. Corbin, Sargent and Yale format also available.

**MORTISE LOCK CASE ELECTRIFICATION OPTION:  
SPECIFY ITEM# UPON ORDERING**

(MORTISE LOCK CASE COMES STANDARD WITH EXIT DEVICE)

ITEM#	DESCRIPTION
FS12MR	FAIL-SAFE (FS) OPTION 12V AC/DC
FS24MR	FAIL-SAFE (FS) OPTION 24V AC/DC
FSE12MR	FAIL-SECURE (FSE) OPTION 12V AC/DC
FSE24MR	FAIL-SECURE (FSE) OPTION 24V AC/DC

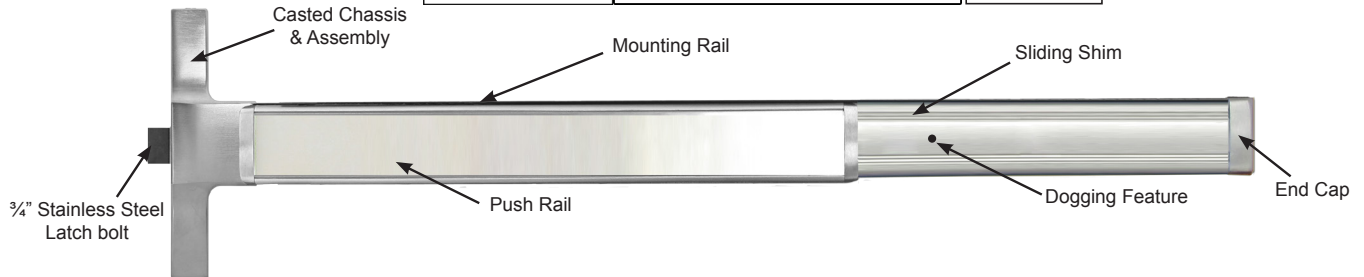
\*Must be used with MRESC00 Trim.

# GLS7700 Series

## GRADE 1 Rim Type Narrow Stile Exit Device

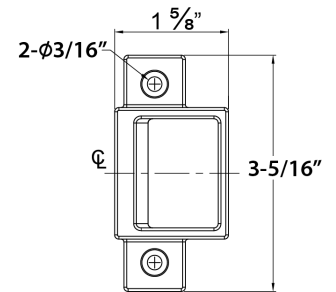


<b>LIFETIME WARRANTY</b>	<b>MEETS</b> <i>The Buy American Act</i>	
--------------------------	---	--

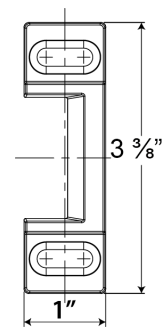


### Specifications

<b>For Doors</b> .....	Wood, Metal or Aluminum Glass doors with 1 3/4" minimum stile width, 1 3/4" thickness for single or double door application
<b>Chassis</b> .....	Non-ferrous Alloy (Panic Grade)
<b>Cover</b> .....	Non-ferrous plated material.
<b>Mounting</b> .....	Furnished with wood and machine screws. Thru-bolts available upon request.
<b>End Cap</b> .....	Brass, Bronze or Stainless Steel construction
<b>Alarm</b> .....	Available on 36" bar only. Prefix "NALRM" before PART #
<b>Hand</b> .....	Non-handed
<b>Latch Bolt</b> .....	Stainless Steel 3/4" throw
<b>Spring</b> .....	Stainless Steel throughout
<b>ANSI Standard</b> .....	A156.3, Grade 1
<b>Rail Assembly</b> .....	Heavy gauge extruded aluminum body with Stainless Steel push pad
<b>Strike</b> .....	246 packed standard. Optional 247 strike. (See strike page)
<b>Dogging Feature</b> .....	Allen-type key furnished standard
<b>Mullion</b> .....	Available
<b>UL and ULC Listed</b> .....	GLS7700 Series for Panic & Safety for all types of 4' x 8' single doors and 8' x 8' double doors
<b>Finish</b> .....	Architectural plated finishes
<b>Electronic Functions</b> .....	(ELR) Electrical Latch Retraction and RX & LX Signal Switch available



**246 STRIKE**



**247 STRIKE (OPTIONAL)**

### DIMENSIONS

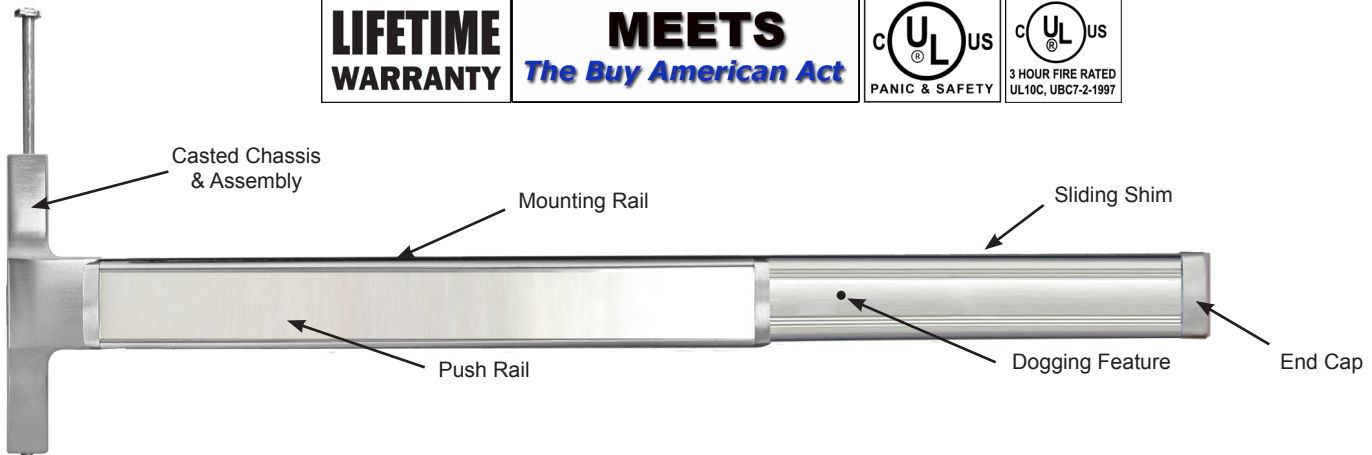
<b>Push Rail height to finished floor</b>	41" (1041 mm) at center		
<b>Push Rail projection</b>			
Neutral	3 5/8" (92 mm)		
Depressed	2 7/8" (73 mm)		
<b>Center case</b>	8 1/16" x 1 1/8" x 2 3/8" (205 mm x 29 mm x 60 mm)		
<b>MODEL</b>	<b>ACTUAL LENGTH</b>	<b>MAX CUT DOWN</b>	<b>DOOR SIZE</b>
GLS7700EO36	34 9/64"	10"	26" to 36" width
GLS7700EO48	45 29/32"	12"	36" to 48" width

# GLSCVR7700 & FGLSCVR7700 Series

GRADE 1 Concealed Vertical Type, Narrow Stile Exit Device  
Optional Less Bottom Rod (LBR)

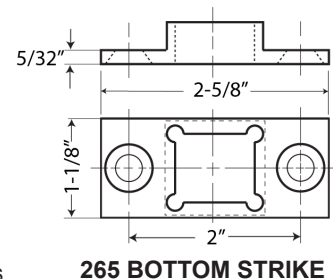
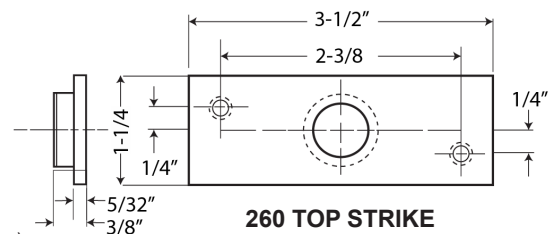


<b>LIFETIME WARRANTY</b>	<b>MEETS</b> <i>The Buy American Act</i>	<b>UL</b> US PANIC & SAFETY	<b>UL</b> US 3 HOUR FIRE RATED UL10C, UBC7-2-1997
--------------------------	---	--------------------------------	---



## Specifications

<b>For Doors.....</b>	Metal or Aluminum Glass doors with 1 3/4" minimum stile width, 1 3/4" thickness for single or double door application
<b>Top Chassis.....</b>	Non-ferrous Alloy (Panic Grade)
<b>Cover.....</b>	Non-ferrous plated material
<b>Mounting.....</b>	Furnished with wood and machine screws
<b>End Cap.....</b>	Brass, Bronze or Stainless Steel construction
<b>Hand.....</b>	Handed. Specify RHR or LHR
<b>Top and Bottom Bolts.....</b>	Stainless Steel. Top and bottom bolt travel 7/16" (11 mm) Stainless Steel. Adjustable to 1" (25 mm)
<b>Spring.....</b>	Stainless Steel throughout
<b>ANSI Standard.....</b>	A156.3, Grade 1
<b>Rail Assembly.....</b>	Heavy gauge extruded aluminum body with Stainless Steel push pad
<b>Strike.....</b>	260 Top and 265 Bottom strikes packed standard (See strike page)
<b>Dogging Feature.....</b>	Allen-type key furnished standard
<b>Mullion.....</b>	Available
<b>UL and ULC Listed.....</b>	GLSCVR7700 Series for Panic & Safety for all types of 4' x 8' single doors and 8' x 8' double doors for Panic & Safety. FGLSCVR7700 Series for all types of 6' x 7' pair of doors for up to 3 hour fire labelled installations. Conforms to standards UL10C and UBC 7-2-1997 codes.
<b>Finish.....</b>	Architectural plated finishes
<b>Electronic Functions.....</b>	(ELR) Electrical Latch Retraction and RX & LX Signal Switch available



## DIMENSIONS

<b>Push Rail height to finished floor</b>	41" (1041 mm) at center		
<b>Push Rail projection</b>			
Neutral	3 5/8" (92 mm)		
Depressed	2 7/8" (73 mm)		
<b>Center case</b>	8 1/16" x 1 1/8" x 2 3/8" (205 mm x 29 mm x 60 mm)		
<b>MODEL</b>	<b>ACTUAL LENGTH</b>	<b>MAX CUT DOWN</b>	<b>DOOR SIZE</b>
GLSCVR773684, FGLSCVR773684	34 9/64"	10"	26" to 36" width
GLSCVR774884	45 29/32"	12"	36" to 48" width

# Trim Selection

## ESCUTCHEON LEVER DESIGN

### CONSTRUCTION

- Free-wheeling clutch mechanism.
- Grade 1, thru-bolted design. Reversible design
- Hardened steel heavy duty tailpiece. Available for rim and concealed vertical rod exit devices

### DOOR THICKNESS

Standard 1 3/4"

### ESCUTCHEON DIMENSIONS

1 13/16" width X 8" length

Lever length: 5"



**IMPORTANT: GLS7700 and GLSCVR7700 Trims are interchangeable with GLS9800 and GLSCVR9800 Trims**

**ELECTRIFICATION NOT AVAILABLE FOR TRIM.**  
Electrical Latch Retraction (ELR), Request to Exit (RX) and Latchbolt Monitoring (LX) available for Exit Device only.

**GLSRIM9800**  
**GLSCVR9800**  
**Ⓢ ICGLSRIM9800**  
**Ⓢ ICSCGLSRIM9800**  
**Ⓢ ICGLSCVR9800**  
**Ⓢ ICSCGLSCVR9800**

**ENTRANCE**  
Clutch free-wheeling Entrance, key locks or unlocks escutcheon trim ANSI FUNCTION (63) Operates as classroom function  
CVR is used for Concealed Vertical Rod Exit Device  
RIM is used for Rim Type Exit Device

**GLSRIM9805**  
**GLSCVR9805**  
**Ⓢ ICGLSRIM9805**  
**Ⓢ ICSCGLSRIM9805**  
**Ⓢ ICGLSCVR9805**  
**Ⓢ ICSCGLSCVR9805**

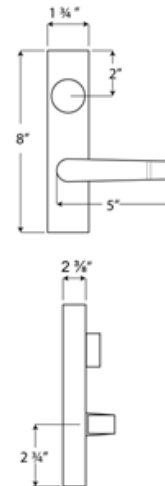
**STOREROOM**  
Clutch free-wheeling Storeroom, key unlocks lever, lever retracts latch bolt, otherwise always locked  
ANSI FUNCTION (04)  
CVR is used for Concealed Vertical Rod Exit Device  
RIM is used for Rim Type Exit Device

**GLSRIM9830**  
**GLSCVR9830**

**PASSAGE**  
Trim always operable and free  
ANSI FUNCTION (62)  
CVR is used for Concealed Vertical Rod Exit Device  
RIM is used for Rim Type Exit Device

**GLSRIM9840**  
**GLSCVR9840**

**DUMMY**  
Dummy Escutcheon trim ANSI FUNCTION (10)  
CVR is used for Concealed Vertical Rod Exit Device  
RIM is used for Rim Type Exit Device



**AVAILABLE UPON REQUEST**  
AT, RL, TUB Lever Design

**KEYWAY:** 6-Pin solid brass "C" keyway Rim Cylinder standard. Optional: Schlage E, Schlage C-K, Russwin D1-2-3-4, Corbin 59/60, Sargent LA-LB-LC, Falcon/Weiser E, Arrow A, Yale 8, Yale GA and Kwikset. Can also accept Medeco, Assa, Kaba and **Cal-Royal HSK** High Security Cylinders.

**Ⓢ (IC) INTERCHANGEABLE CORE:** Interchangeable Core locks will accept compatible 6 or 7-Pin cores with BEST, FALCON and ARROW

**Ⓢ (ICSC) INTERCHANGEABLE CORE:** Indicates function available with **Schlage Full Size Format** Interchangeable Core. Corbin, Sargent and Yale format also available.



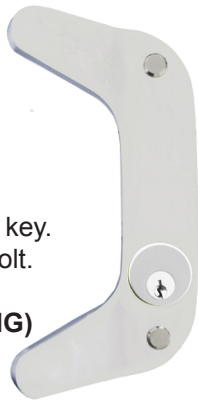
# Trim Selection

## PULL DESIGN - FOR GLS7700 RIM EXIT DEVICE ONLY



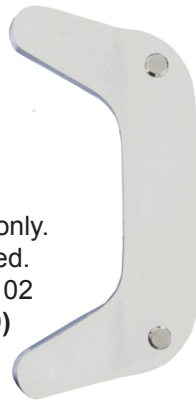
**98GLSNL**  
**⚙ IC98GLSNL**  
**⚙ ICSC98GLSNL**

Outside by pull and key.  
 Key retracts latch bolt.  
 ANSI function – 03  
**(SPECIFY HANDING)**



**98GLSUP**

Outside by pull only.  
 Pull when dogged.  
 ANSI function – 02  
**(NON-HANDED)**



**GLSRIMEOP**

Outside cover plate only.  
**ANSI function – 10**

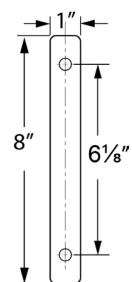
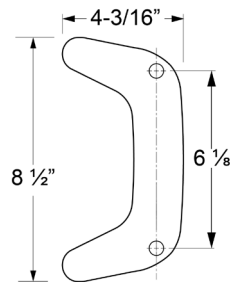
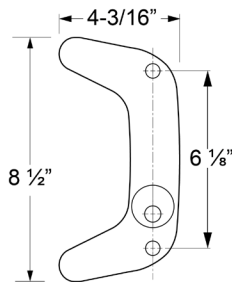


**KEYWAY**

Standard 6-Pin solid brass “C” keyway Rim Cylinder included.

**FINISHES**

Architectural plated finishes.



**IMPORTANT: GLS7700 and GLSCVR7700 Trims are interchangeable with GLS9800 and GLSCVR9800 Trims**



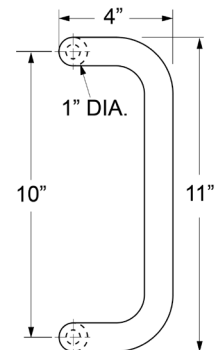
**98GLSCYL-1**



**⚙ IC98GLSCYL-1**  
**⚙ ICSC98GLSCYL-1**



**OFSTPUL-10**  
**(REVERSIBLE)**



**KEYWAY:** 6-Pin solid brass “C” keyway Rim Cylinder standard. Optional: Schlage E, Schlage C-K, Russwin D1-2-3-4, Corbin 59/60, Sargent LA-LB-LC, Falcon/Weiser E, Arrow A, Yale 8, Yale GA and Kwikset. Can also accept Medeco, Assa, Kaba and **Cal-Royal HSK** High Security Cylinders.

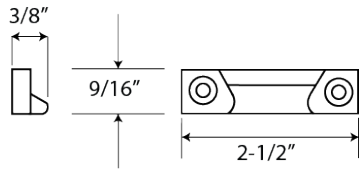
**⚙ (IC) INTERCHANGEABLE CORE:** Interchangeable Core locks will accept compatible 6 or 7-Pin cores with BEST, FALCON and ARROW

**⚙ (ICSC) INTERCHANGEABLE CORE:** Indicates function available with **Schlage Full Size Format** Interchangeable Core. Corbin, Sargent and Yale format also available.

# Strike & Accessories

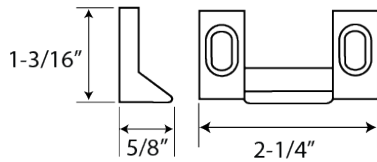


## Strikes for use with 7760 vertical rod exit device All strikes are black nylon coated



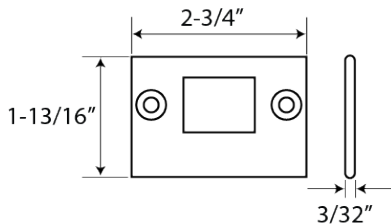
### 221

Standard for 7760. Applied to surface of floor or to a flat threshold. Standard packaging.



### 227

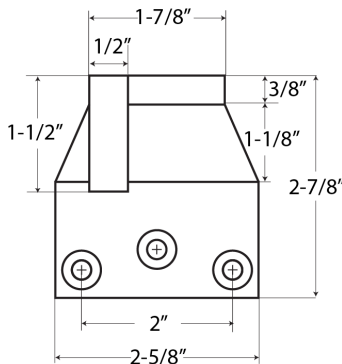
Applied to surface of stop. No mortise required. Standard packaging.



### 233

Bottom strike. Alternate bottom strike. Flush mounting stainless steel. Furnished with expansion shields. Requires mortise in the floor.

## Overlapping Strikes



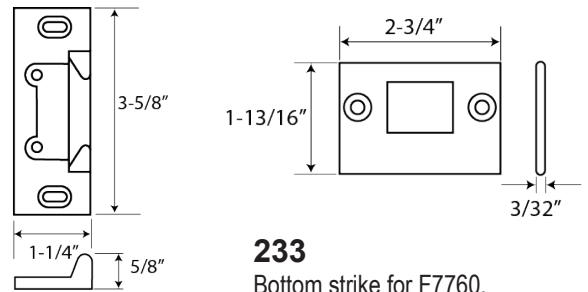
### 951

Surface applied. Used on inactive leaf for device on active leaf of pair of doors without mullion.

## Additional Rods

Vertical rod for 10 feet high doors available on non-fire rated vertical rod devices only. Use Part # VRRD-10.

## Strikes for use with 7760 vertical rod fire exit device



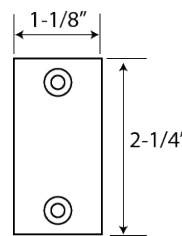
### 233

Bottom strike for F7760. Flush mounting stainless steel. Furnished with expansion shields. Requires mortise in the floor. Standard packaging.

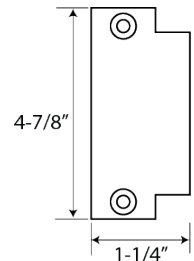
### 245

Surface applied for F7760. Standard packaging.

## Additional Accessories

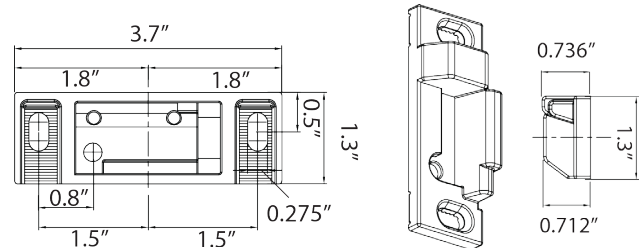


**LFF**  
Lock front filler



**SF**  
Strike filler

## Strikes for use with 7700 rim type exit device

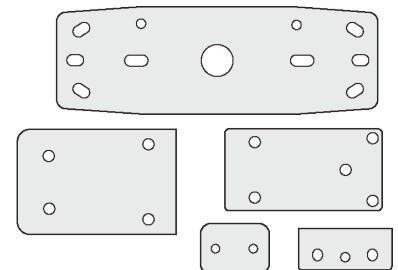


### 938

For 7700 surface applied. Standard packaging.

## GLASS BEAD SHIM KITS

- 901** – For rim type, 1/8" thick
- 906** – For vertical type, 1/8" thick
- 912** – For fire rated type, 1/8" thick



# Fire Exit Hardware Selector



FIRE EXIT HARDWARE RATING			UL DOOR RATING
APPLICATION	MODEL #	MAXIMUM DOOR OPENING	(A) 3 HOUR
<b>SINGLE DOORS</b> Rim type	F7700EO36 F7720EO48	4'0" X 8'0"	✓
<b>PAIRS OF DOORS</b> Two surface mounted standard vertical rod type or less bottom rod (LBR) application. Prefix <b>LBR</b> before Part #  a) Swinging in same direction b) Swinging in opposite direction (double egress )	F7760V3684 X F7760V3684	8'0" X 7'2"	✓
	F7790V3696 X F7790V3696 F7780V4896 X F7780V4896	8'0" X 8'0"	✓
<b>PAIRS OF DOORS</b> Two rim type with Mullion	F7700EO36 F7720EO48	8'0" X 8'0"	✓

All fire rated exit devices in all applications, are also labeled for (B) 1 ½ hour, (C) ¾ hour, (D) 1 hour, (E) ¾ hour.  
All fire exit hardware meet UL10C and UBC 7-2-1997 codes.

## HOW TO ORDER INFORMATION

### Exit device model number

#### Panic grade

7700 EO36 Rim type 36" door  
7720 EO48 Rim type 48" door  
7760 V3684 Vertical rod type 36" x 84"  
7790 V3696 Vertical rod type 36" x 96"  
7780 V4896 Vertical rod type 48" x 96"  
VRRD10 – Rod for 10' non-rated door  
7750 V36120 Vertical rod type 36" x 120"  
7740 V48120 Vertical rod type 48" x 120"

#### Fire grade

F7700 EO36 Rim type 36" door  
F7720 EO48 Rim type 48" door  
F7760 V3684 Vertical rod type 36" x 84"  
F7790 V3696 Vertical rod type 36" x 96"  
F7780 V4896 Vertical rod type 48" x 96"  
F7750 V36120 Vertical rod type 36" x 120"  
F7740 V48120 Vertical rod type 48" x 120"

- 1) Specify exit device model number according to size of door.
- 2) Specify trim selection. For Interchangeable Core prefix "IC" before Part #. See trim selection pages.
- 3) For vertical rod devices specify LHR (Left Hand Reverse ) or RHR ( Right Hand Reverse ) for convenience easily field reversible, otherwise shipped as LHR.
- 4) Specify finish:  
US10B, 32D. See Page 7
- 5) On thru-bolt applications, fire rated vertical rod devices are packed with thru-bolts as standard feature. Thru-bolts are also available for other devices. To order thru-bolts add "SBN" to trim pack.

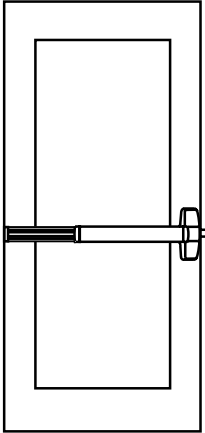
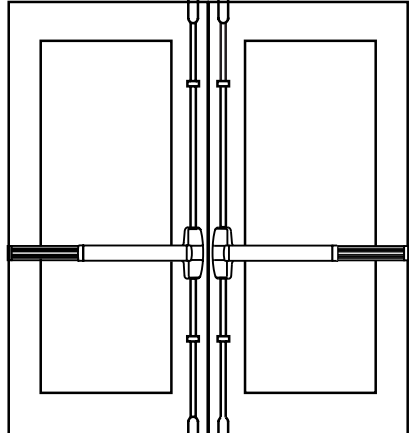
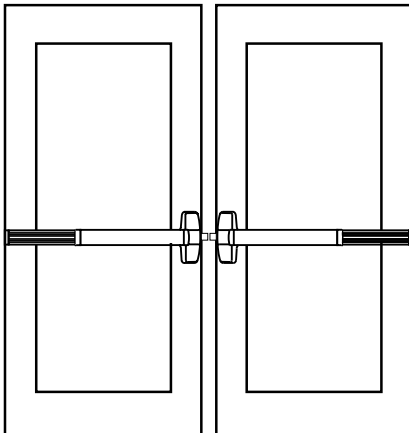
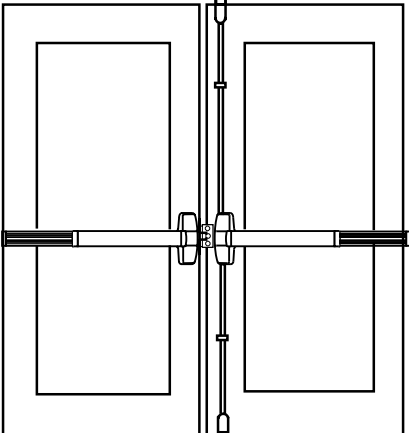
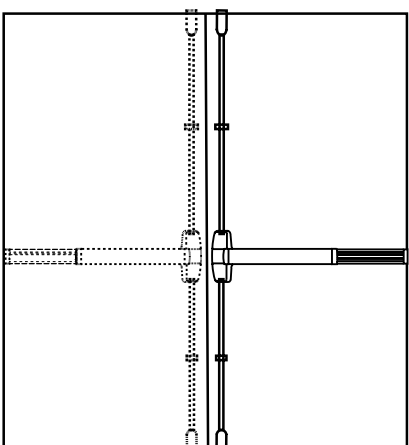
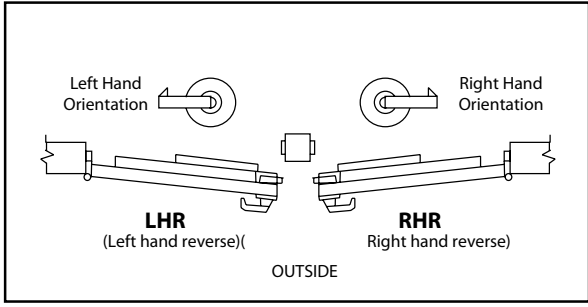
When ordering separately use following Part #

Cal-Royal Part # 357 — Thru-bolts for rim devices, 6 pcs / pack.  
Cal-Royal Part # 369 — Thru-bolts for vertical rod devices, 14 pcs / pack.  
Cal-Royal Part # 363 — Thru-bolts for rim devices, 6 pcs / pack for 2 ¼" thick doors.  
Cal-Royal Part # 375 — Thru-bolts for vertical rod devices, 14 pcs / pack for 2 ¼" thick doors.

**Ordering example:** 7700EO36 ALUM X SBN X ENT00L 26D  
F7780V4896 10B X ICSTR05L 10B

# 7700 Series Fire and Non-Fire Exit Devices ANSI A156.3 Grade 1 Selector Chart



<p style="text-align: center;"><b>SINGLE DOOR</b></p>  <p><b>Vertical rod type or Rim type</b>      Surface applied 2 point lock. Surface application</p>	<p style="text-align: center;"><b>PAIR OF DOORS WITHOUT MULLION</b></p>  <p><b>2 Vertical rod type</b>      Surface applied 2 point locking both doors. Each door active same direction. Do not use with overlapping astragal.</p>
<p style="text-align: center;"><b>PAIR OF DOORS WITH MULLION</b></p>  <p><b>2 Rim type with mullion</b>      Two independent active doors with full double door openings when required. Same direction.</p>	<p style="text-align: center;"><b>PAIR OF DOORS WITHOUT MULLION</b></p>  <p><b>1 Vertical rod and 1 Rim type</b>      Both devices are surface applied. A coordinator and overlapping strike is recommended.</p>
<p style="text-align: center;"><b>PAIR OF DOORS WITHOUT MULLION</b></p>  <p><b>2 Vertical rod type</b>      Double egress surface applied. 2 point locking both doors opposite directions.</p>	<p style="text-align: center;"><b>HANDING</b></p>  <p style="text-align: center;"> <b>LHR</b> (Left hand reverse)      <b>RHR</b> (Right hand reverse)          OUTSIDE     </p>

**CAL-ROYAL PRODUCTS, INC.**  
 6605 FLOTILLA ST., COMMERCE, CA 90040 U.S.A.  
 TEL: (323) 888-6601 FAX: (323) 888-6699  
 Website: [cal-royal.com](http://cal-royal.com) \* Email: [sales@cal-royal.com](mailto:sales@cal-royal.com)

# Exit Devices Comparison Chart

RIM EXIT DEVICE CONVERSIONS	RIM	VERTICAL ROD	RIM	VERTICAL ROD	CONCEALED VERTICAL ROD	MORTISE RIM	NARROW STILE RIM	NARROW STILE CVR
ARROW	S1200	S1100	S3800 / 1800	S3700	S3600	S3900	S4803	S4601
CAL-ROYAL	9800 / 7700	9860 / 7760	2200 / 4400	2260	MCVR9800 / WCVR9800 / MCVR7700 / WCVR7700	MR9800 / MR7700	GLS9800 / GLS7700	GLSCVR9800 / GLSCVR7700
CORBIN / RUSSWIN	ED8200	ED8400	ED5400 / ED6000	ED4750	ED5800	ED5600	ED4200	ED4800
DETEX	V4000	---	10	20	70	30	V40NS	60
DORMA	8300	8400	9300	9400	9100	9500	AD4300	AD4100
PRECISION	5100	5200	2100 / 100	9800 / 200	2800	2300	2400	2600
SARGENT	2828	2727	8800 / 9898	8700	MD8600 / WD8600	8900	AD8500	AD8410
VON DUPRIN	98 / 99	9827 / 9927	98	9827	9947EO	9975EO	33A	3348
YALE	2100	2110	7100 / 1500	7110 / 1510	7120	7130	7250	7220



Distributed by: