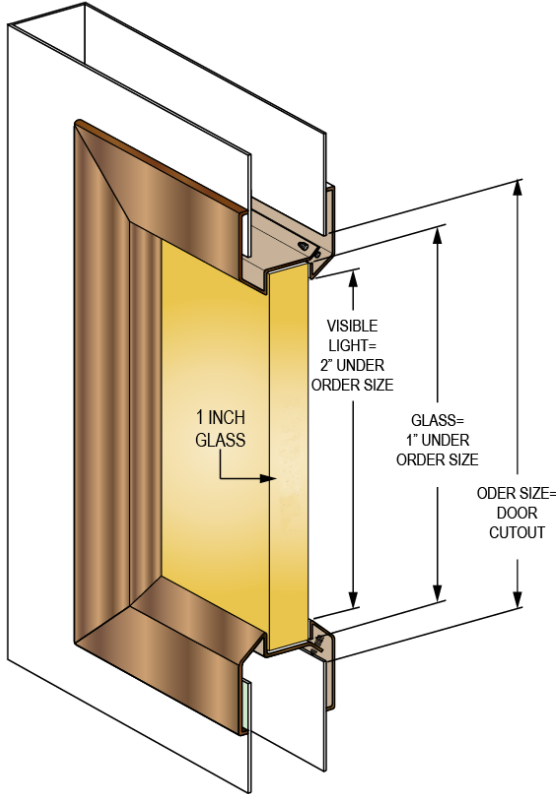


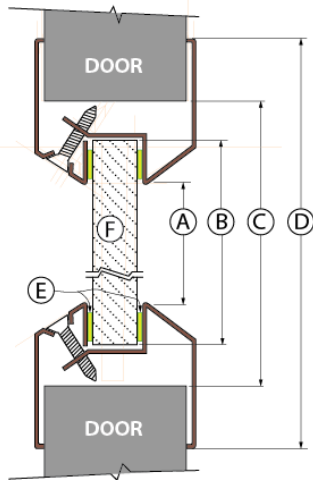
LITES...

10VL SERIES, VISION LITE STANDARD PROFILE FOR 1" THICK GLASS

**IN STOCK
FOR IMMEDIATE SHIPPING**



- ▶ 45-180 Minute Fire-Rated Steel Vision Lites for 1" Glass
- ▶ Standard Profile Vision Lite for Fire Rated Doors
- ▶ Frame has Single-Sided Fasteners
- ▶ 20 Gauge Cold Rolled Steel
- ▶ Designed for use with 1 3/4" Doors Only
- ▶ Baked on Powder Coat Finish
- ▶ Color: Standard Bronze
- ▶ Fasteners: # 8 x 7/8" Flathead Phillips Head SMS



- (A) VISIBLE LIGHT = 2" UNDER ORDER SIZE
- (B) GLASS = 1" UNDER ORDER SIZE
- (C) ORDER SIZE = DOOR CUTOUT
- (D) 1-3/8" OVER ORDER SIZE
- (E) GLAZING TAPE
- (F) GLASS 1" THICK

10VL, Beveled Vision Lite for 1" Thick Glass		
ITEM #	SIZE (DOOR CUTOUT) Width x Height	PCS / CTN
10VL627	6" x 27"	6
10VL722	7" x 22"	6
10VL832	8" x 32"	6
10VL1212	12" x 12"	10
10VL2424	24" x 24"	4
10VL2430	24" x 30"	4
10VL2432	24" x 32"	4
10VL2436	24" x 36"	2
10VL2456	24" x 56"	1
10VL2460	24" x 60"	1
10VL2464 *	24" x 64"	1

Custom Sizes available.
 Width: 5" to 36"
 Height: 4" to 72"

 For pricing & availability inquiries contact your Local Distributor or click [here](#) for the list of our Sales Representatives

GLASS NOT INCLUDED

***Shaded Items are Non-Fire Rated.**

See Lites & Louvers Intertek Certification for detailed information on Fire Ratings.
 Or visit: <http://www.cal-royal.com/pdf/litescertification.pdf>