

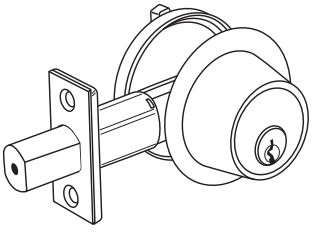

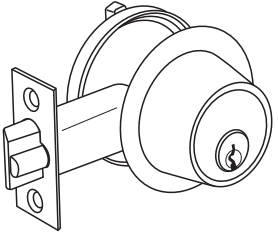
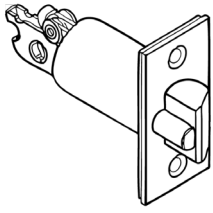
CB160 Series

STANDARD DUTY DEADBOLTS,
ANSI STANDARD - A156.36, GRADE 2

COMMERCIAL / RESIDENTIAL GR 2 DEADBOLTS / DEAD LATCHES

Grade 2 Specifications, Equivalent to Schlage B160 - Series Deadbolts

**LIFETIME
WARRANTY**

			
CB160	ADP160	GL160	GL238 (2 3/8") GL234 (2 3/4")

DESCRIPTION	ANSI	ITEM #	FINISH	PCS / MC
Standard Duty Single Cylinder Deadbolt	E0152	CB160	US3, 26D, 10, 10B, 26, 4, 5, 15	36
Standard Duty Double Cylinder Deadbolt	E0142	CB162		
Single Cylinder Gate Latch	E0152	GL160 (2 3/8" backset)		
Double Cylinder Gate Latch	E0142	GL162 (2 3/8" backset)		
Single Cylinder GateLatch	E0152	GL160 / 234 (2 3/4" backset)		
Double Cylinder Gate Latch	E0142	GL162234 (2 3/4" backset)		

► **PACKAGING INCLUDES**

- 2 5/8" Diameter Adapter Ring for 2 1/2" Door Preparations
- Standard "C" 6-pin cylinder
- Adjustable 2 3/4" and 2 3/8" backset
- For gate latches Fixed 2 3/4" and 2 3/8" latch bolt
- Latch: Backset latch size 1" x 2 1/4" faceplate, packed with latch front adapter to convert 1" face plate for 1 1/8" wide door preparations
- Strike: 1 1/8" x 2 3/4"

► **KEYWAYS**

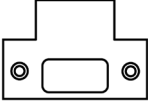
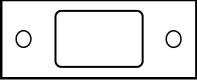

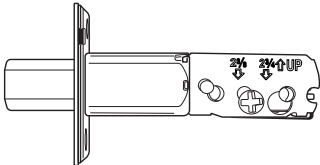
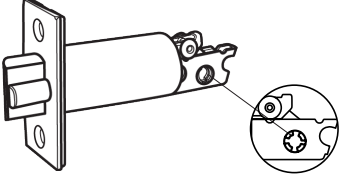
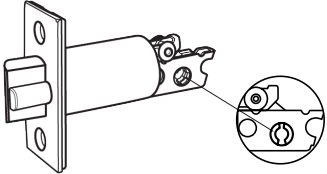


6-pin solid brass "C" keyway standard. Optional: Schlage E, Schlage C-K, Russwin D1-2-3-4, Corbin 59 / 60, Corbin-Russwin L4, Sargent LA-LB-LC, Falcon / Weiser E, Arrow A, Yale 8, Yale GA and Kwikset. Can also accept Medeco, Assa, Kaba and **Cal-Royal HSK** High Security Cylinders. See **page L131** for keying charges and Cylinder PART #.

► **KEYING CHARGES**

Refer to page L131.

► **ADDITIONAL PARTS & CHARGES FOR CB160 SERIES**

Backsets: 2 3/8"

ILLUSTRATION	ITEM #	DESCRIPTION	FINISH
	TS	T-Strike	US10, 10B, 15, 26, 26D, 3, 4
	T2STRK	Deadbolt Strike 1 1/8" X 2 3/4"	US10B, 15, 26D, 3
	SS114358	Deadbolt Security Strike 1 1/4" x 3 5/8", 1/4" Rad.	US10B, 15, 26D, 3, 5
	CB160ADJ	2 3/8"-2 3/4" Adjustable Latch bolt for CB160	US10B, 26D, 3
	GL238	2 3/8" backset gate latch and for double cylinder deadbolt	
	GL234	2 3/4" backset gate latch and for double cylinder deadbolt	
	SINGL238	2 3/8" backset gate latch and for single cylinder deadbolt	
	SINGL234	2 3/4" backset gate latch and for single cylinder deadbolt	
	ADP160	2 5/8" diameter, Adapter Ring for 2 1/8" door preparations	
	SMTT-160	2" diameter, Optional Small Thumbturn for 1 1/2" door preparations	US10B, 15, 26, 26D, 3