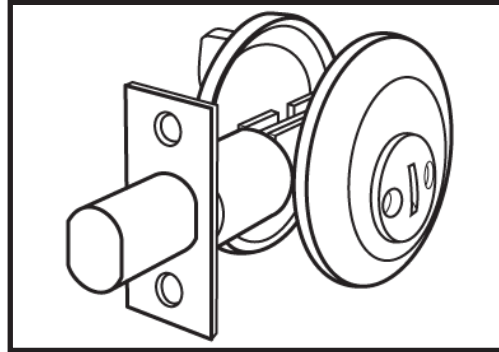


IND84 Indicator Deadbolts Series

COMMERCIAL / RESIDENTIAL INDICATOR DEADBOLTS, ANSI A156.36, GRADE 3

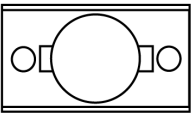

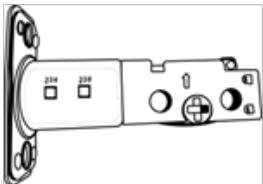


ITEM #	DESCRIPTION	FINISH	PCS/ MC
IND84	Indicator Deadbolt	US3, 4, 26D, 10B	36

► **PACKAGING INCLUDES**

- Adjustable 2 3/4" and 2 3/8" backset
- Latch: Backset latch size 1" x 2 1/4" faceplate. Latch front adapter is provided to convert 1" face plate for 1 1/8" wide door preparations. See below.
- Strike size: 1 1/8" x 2 3/4"

► **ADDITIONAL PARTS & CHARGES**

ILLUSTRATION	ITEM #	DESCRIPTION	FINISH
	LFA18	Latch front adapter to convert 1" face plate to 1 1/8" wide door preparations	CLEAR
	T2STRK	Deadbolt strike 1 1/8" X 2 3/4"	US3, 10B, 26D
	ED500ADJ	ED500 Adjustable Latch bolt, round corner 1" X 2 1/4"	