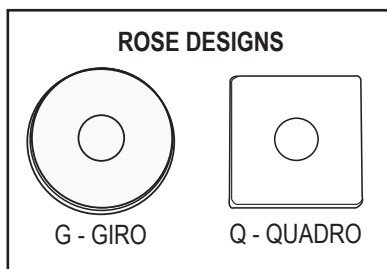


ITALIA Series

STAINLESS STEEL MORTISE LOCKS, ANSI STANDARD A156.13, GRADE 1

FUNCTIONS	ANSI	FINISHES	PCS / MC
◀ Single cylinder without deadbolt			
NM8050 - Office / Entrance	F04	US32D, 32, 19	6
NM8070 - Classroom	F05		
NM8080 - Storeroom	F07		
◀ Single cylinder with deadbolt			
NM8453 - Entrance	F20	US32D, 32, 19	6
NM8456 - Corridor	F13		
NM8495 - Keyed Privacy with Indicator ^{US32}	----		
NM8465 - Closet / Storeroom with Deadbolt	----		
NM8473 - Dormitory / Bedroom	F21		
◀ Double cylinder without deadbolt			
NM8082 - Asylum / Institution	F30	US32D, 32, 19	6
◀ Double cylinder with deadbolt			
NM8466 - Storeroom	F14	US32D, 32, 19	6
◀ Other Functions			
NM8440 - Privacy with Deadbolt	F19	US32D, 32, 19	6
NM8445 - Privacy with Deadbolt, Coin Turn & Indicator	F19B		
NM8010 - Passage	F01		

•• All keyed lock functions are available with **Best, Falcon and Arrow, Schlage, Corbin / Russwin, Sargent, and Yale Large Format Interchangeable Cores (See page L17 for additional charges).** For IC Core see pages L121 – L122. For Keying charges see page L131.



ORDERING FOR NM SERIES MORTISE LOCK

The Lever and Knob designs can also be used for our NM Series Mortise Locks. To order, refer to functions in the NM Series page and choose a function, indicate handing, lever / knob design, rose design (G or Q) and finish: **NMnnnnHH-ddd-r US32x**
e.g. :

To order NM8080 function LH in SIENA lever design with round rose in US32D finish use:

NM8080LH-SIE-G US32D

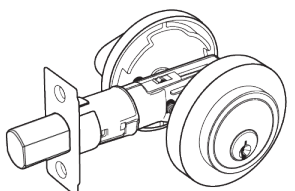
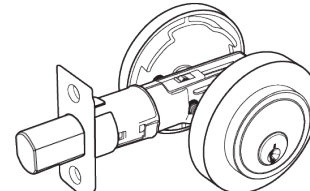
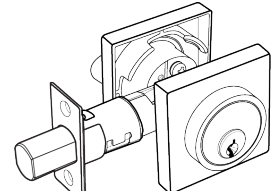
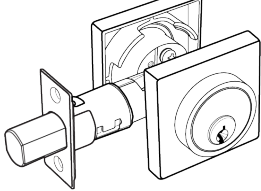
ITALIA Series

STAINLESS STEEL DEADBOLTS WITH GRADE 1 LATCH

ANSI STANDARD A156.36, GRADE 3

- ▶ KEYWAY standard 5-PIN SCHLAGE "C"
 - Latch Bolt: Grade 1, 4-way Drive-In, Brass, Satin Nickel bolt
 - Latch Backset: Adjustable 2 3/8 (60) and 2 3/4 (70)
 - Handing: Non-Handed
 - Latch Faceplate: 1" x 2 1/4" (25 x 57)
 - Deadbolt Strike: 1 1/8" x 2 3/4" (29 x 70) square corner (standard)
 - Security Strike: 1 1/8" x 2 3/4" x 3/32" (29 x 70 x 2) (standard)
 - Keying service available

▶ DEADBOLT DESIGNS

 <p>RND-504 / RND-508 SINGLE CYLINDER</p>	 <p>RND-404 DOUBLE CYLINDER</p>	 <p>SQR-504 / SQR-508 SINGLE CYLINDER</p>	 <p>SQR-404 DOUBLE CYLINDER</p>
ROUND		SQUARE	

DEADBOLT ----- ITALIA SERIES

FUNCTIONS	ANSI	ITEM #	FINISH	PCS / MC
Single Cylinder Round Deadbolt for 1 3/4" Door Thickness	E0153	RND-504	US32D, 32, 1	18
Single Cylinder Round Deadbolt for 1 3/8" Door Thickness	E0153	RND-508		
Single Cylinder Square Deadbolt for 1 3/4" Door Thickness	E0153	SQR-504		
Single Cylinder Square Deadbolt for 1 3/8" Door Thickness	E0153	SQR-508		
Double Cylinder Round Deadbolt for 1 3/4" Door Thickness	E0143	RND-404		
Double Cylinder Square Deadbolt for 1 3/4" Door Thickness	E0143	SQR-404		

▶ For Keying charges see page L131.