

400 SERIES

ANSI A156.4 Grade 2, Optional Full Cover, Sized Door Closer
UL Listed Conforms to standards UL10C and UBC7-2-1997
5 Year Warranty



5-YEAR WARRANTY

- Standard Duty Commercial Hydraulic Door Closer Precision Engineering for New Construction
- Meets and Exceeds ANSI Standard A156.4 Grade 2
- Sized Door Closer, Sizes 2, 3 and 4
- for All Standard Applications
- Optional Full Cover
- Optional Back-Check
- Heavy Duty Rack and Pinion

FEATURES

- Sized Hydraulic Door Closers. **420-P** Size 2, **430-P** Size 3, **SM430-P** Size 3, and **440-P** Size 4
- Dual Valve, Closing and Latching Speed Controlled by Two Separate Regulating Valves
- Universal Application, Non-Handed, Designed for All Standard Installations
- Reinforced Type Adjustable Tube Arm
- Rack and Pinion Operated Contained in a High Tensile Precision Cast Aluminum Housing for the Highest Quality
- The Streamlined Design Permits Installation on Most Commercial and Residential Applications without Adaptors

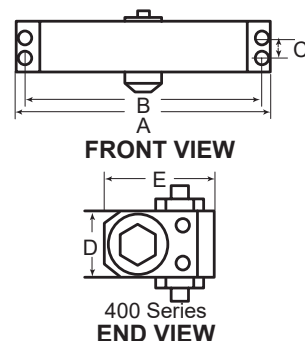
RECOMMENDED CLOSER SIZES FOR INTERIOR & EXTERIOR

REGULAR CLOSERS				CLOSERS WITH PARALLEL ARM ADAPTER				
MODEL NO.	DOOR WEIGHT (POUNDS) ALL MODELS	MODEL NO.	TYPE OF DOOR	MAXIMUM SIZE OF DOOR			MAXIMUM SIZE OF DOOR	
REGULAR		HOLD OPEN ACCESSORIES		INTERIOR	EXTERIOR INSWINGING	INTERIOR OUTSWINGING	INTERIOR	EXTERIOR INSWINGING
420P	55-100	301/302	Heavy screen doors or medium weight interior door of wood or metal	3'0"	---	---	2'6"	---
430P	88-143	301/302	Light exterior doors and interior doors of wood or metal	3'6"	2'6"	3'0"	3'0"	2'6"
440P/ SM430-P	120-187	301/302	Exterior doors and heavy interior doors of wood or metal	4'0"	3'0"	3'6"	3'6"	3'0"

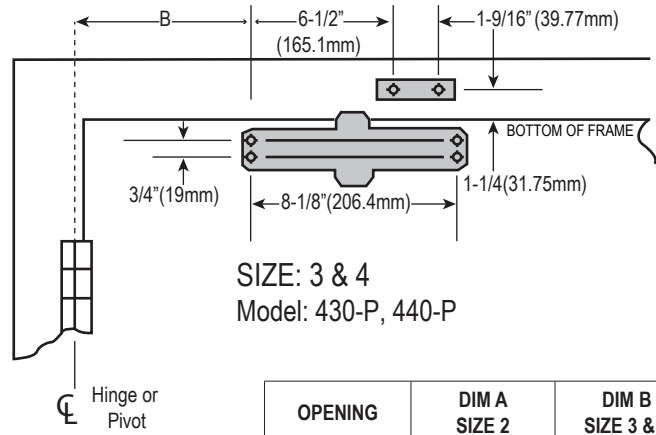
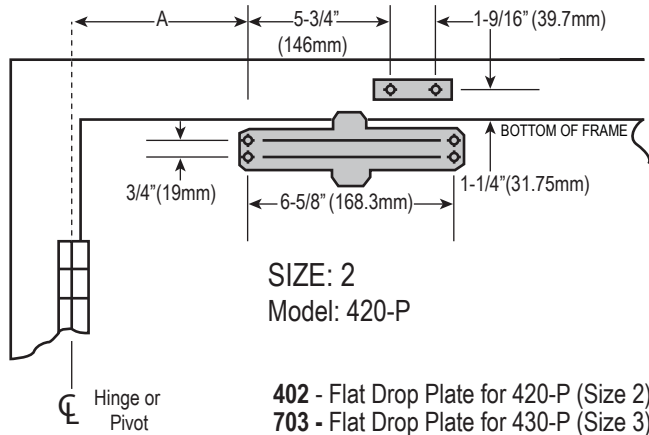
NOTE: Doors of unusual height or weight, or doors subject to severe wind or draft conditions, or abusive usage, require the next larger model closer than the schedule.

SPECIFICATIONS

DESCRIPTION	420-P	SM 430-P	430-P	440-P
	SIZE 2	SIZE 3	SIZE 3	SIZE 4
A. Length of Closer Body	7 1/4"	7 1/8"	8 3/4"	8 3/4"
B. Horizontal Mounting Holes	6 5/8"	6 1/2"	8 3/16"	8 3/16"
C. Vertical Mounting Holes	3/4"	3/4"	3/4"	3/4"
D. Height of Closer Body	1 3/4"	1 3/4"	1 3/4"	1 3/4"
E. Projection from Door	2 5/8"	2 15/32"	2 7/8"	2 7/8"

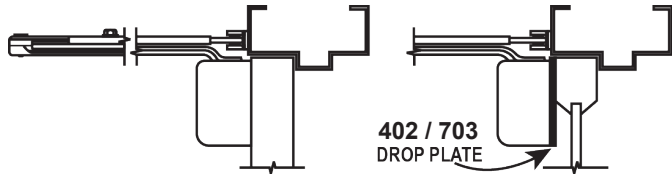


400 SERIES : REGULAR ARM INSTALLATION (PULL SIDE)

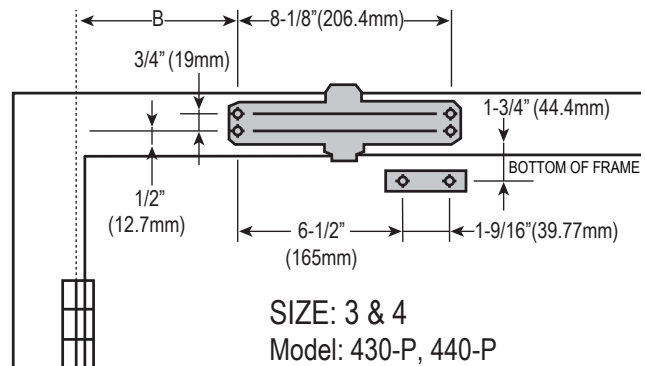
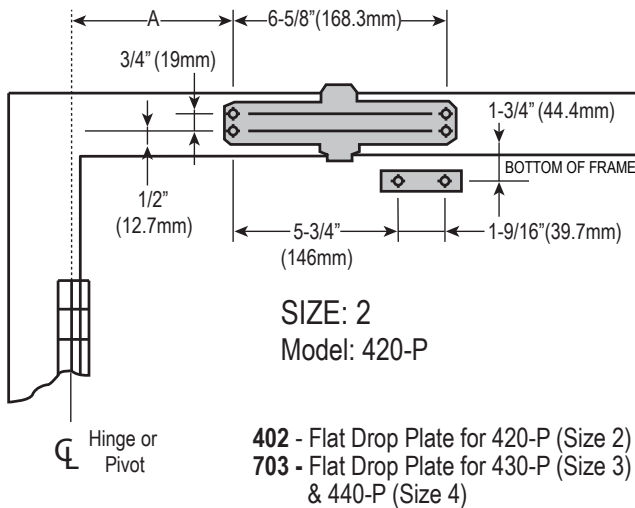


OPENING	DIM A SIZE 2	DIM B SIZE 3 & 4
120° - 180°	3-3/4" (95.25 mm)	4-3/4" (120.1 mm)
OVER 180°	2-9/16" (65 mm)	3-1/8" (79.4 mm)

- RIGHT HAND DOOR SHOWN
- LEFT HAND DOOR OPPOSITE
- DIMENSIONS ARE IN INCHES
- DRAWING NOT TO SCALE

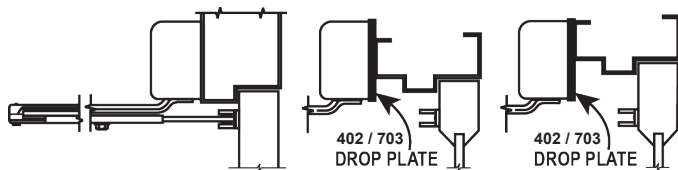


400 SERIES : TOP JAMB INSTALLATION (PUSH SIDE)

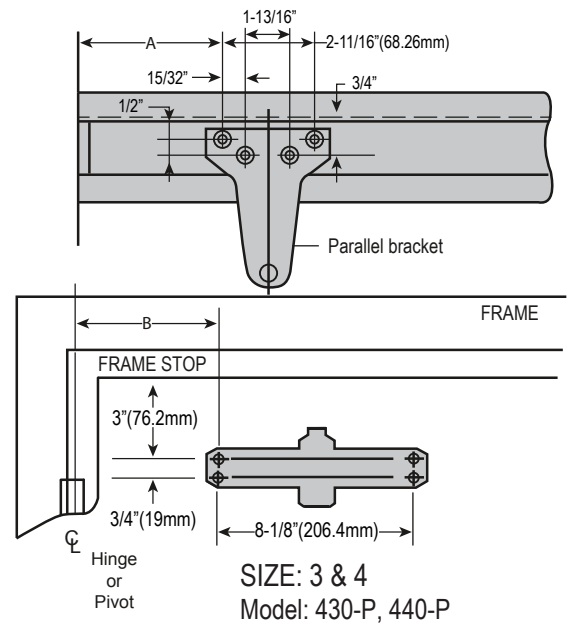
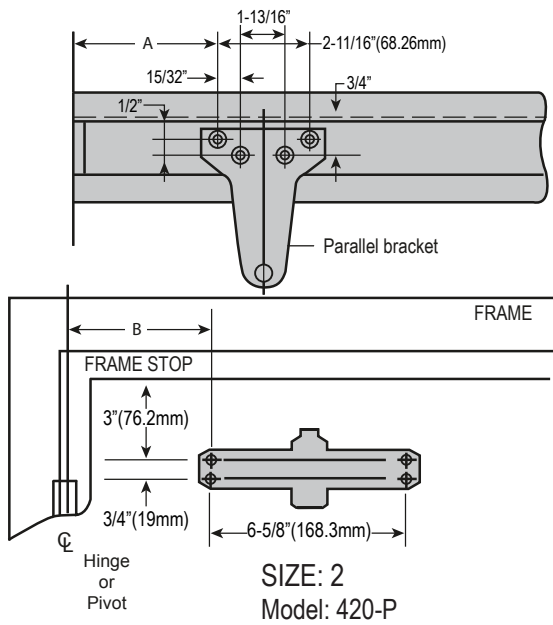


OPENING	DIM A SIZE 2	DIM B SIZE 3 & 4
120° - 180°	3-3/4" (95.25 mm)	3-1/8" (79.4 mm)
OVER 180°	2-9/16" (65 mm)	4-3/4" (120.1 mm)

- LEFT HAND DOOR SHOWN
- RIGHT HAND DOOR OPPOSITE
- DIMENSIONS ARE IN INCHES
- DRAWING NOT TO SCALE

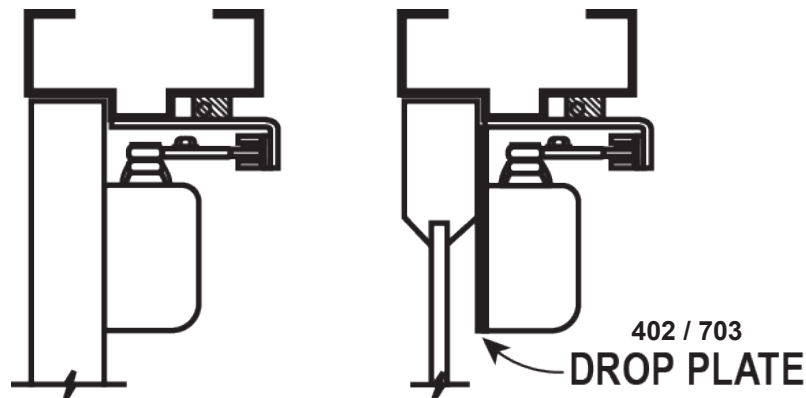


400 SERIES : PARALLEL ARM INSTALLATION (PUSH SIDE)



- LEFT HAND DOOR SHOWN
- RIGHT HAND DOOR OPPOSITE
- DIMENSIONS ARE IN INCHES
- DRAWING NOT TO SCALE

OPENING	DIM A SIZE 2	DIM B SIZE 2	DIM A SIZE 3 & 4	DIM B SIZE 3 & 4
120° - 180°	5-7/8" (149.2 mm)	4-11/16" (119 mm)	7-7/8" (200 mm)	6-11/16" (169.8 mm)
OVER 180°	4-11/16" (119 mm)	3-1/2" (88.9 mm)	6-11/16" (169.8 mm)	5-1/2" (139.7 mm)



402 - Flat Drop Plate for 420-P (size 2)

703 - Flat Drop Plate for 430-P (size 3) and 440-P (size 4)