

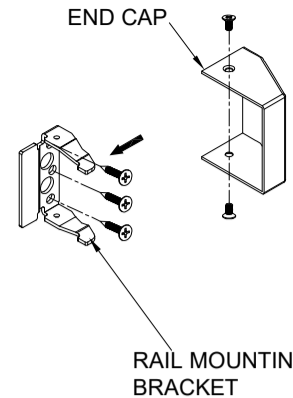
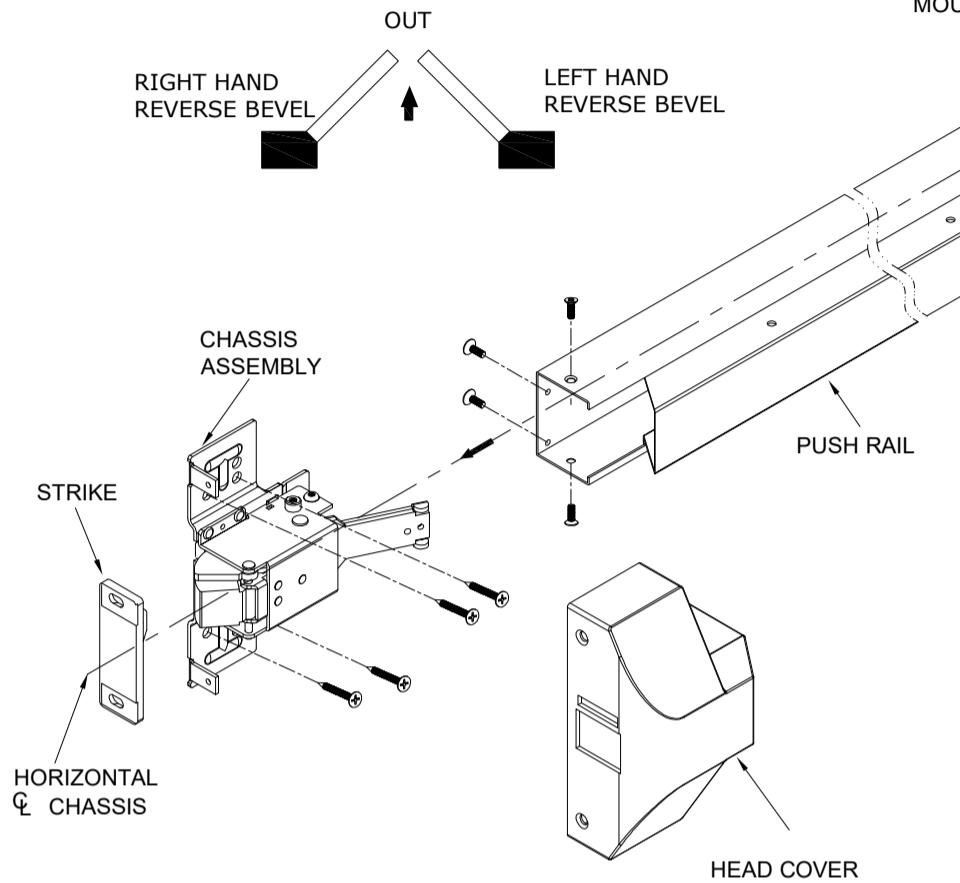


5000E0 RIM PANIC EXIT DEVICE

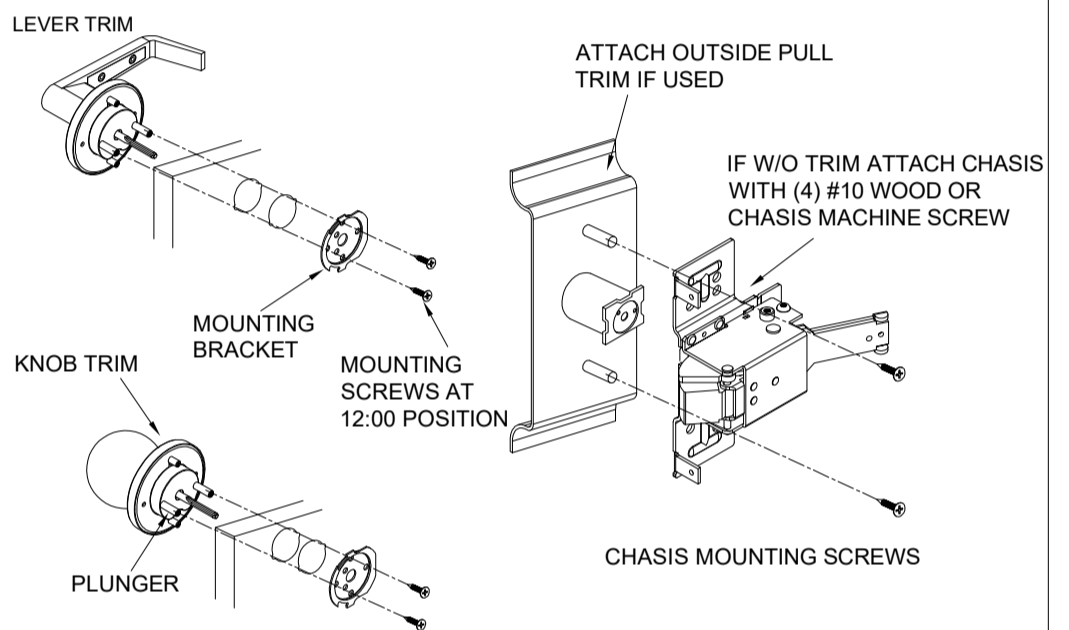
INSTALLATION INSTRUCTIONS

BEFORE INSTALLING DEVICE, PLEASE CHECK:

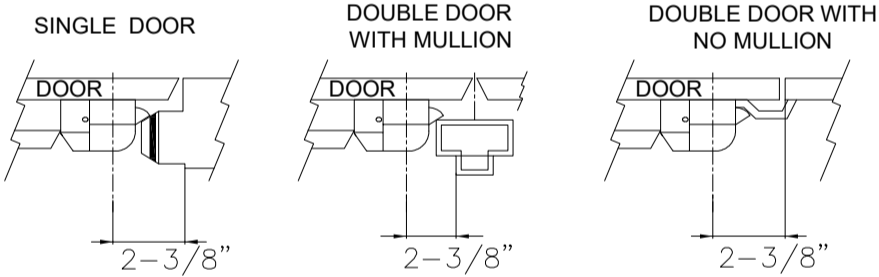
1. IF DOOR FITTED AND HUNG.
2. SIZE OF EXIT DEVICE FUNCTION AND DESIGN...
 - 2.1. 36" DOORS, CAN BE CUT TO FIT DOORS DOWN TO 30" WIDE.
 - 2.2. 48" DOORS, CAN BE CUT TO FIT DOORS DOWN TO 36" WIDE.
 - 2.3. HAND OF DEVICE AGAINST APPLICATION.



2.3. INSTALL LEVER, OR KNOB, OR PULL TRIM



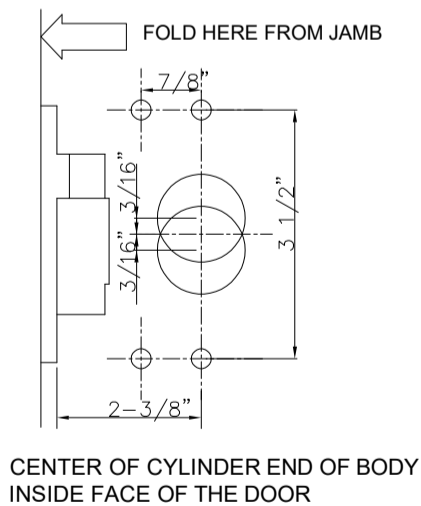
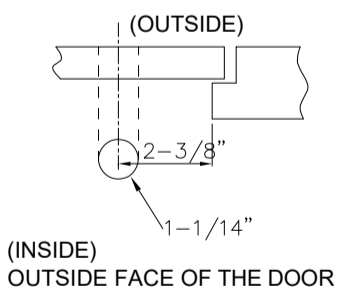
1. TYPE OF INSTALLATION



2. APPLY HARDWARE

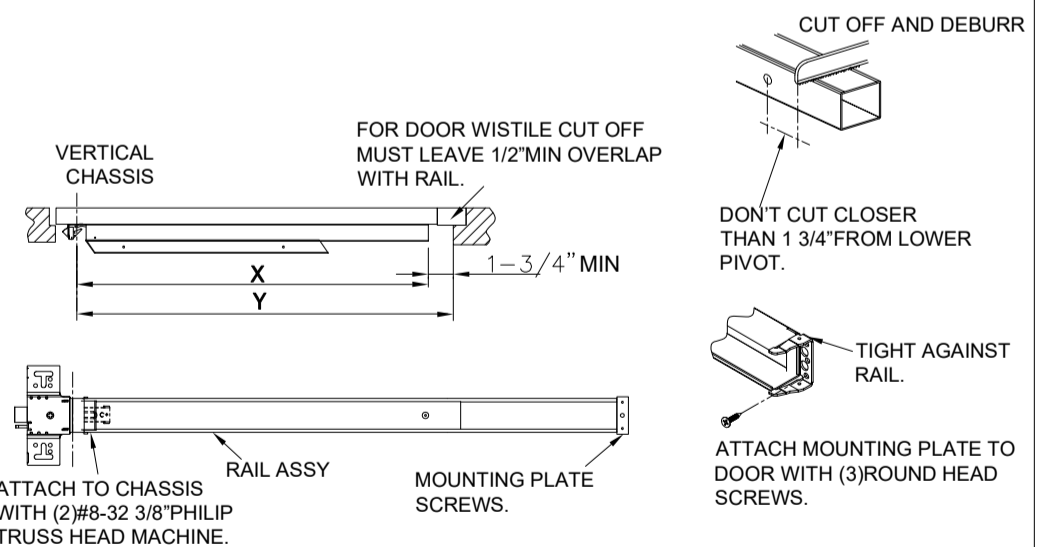
2.1. DRILL HOLES

MARK DOOR FACE AND DRILL HOLES IN ACCORDANCE WITH THE DIAMETERS SUGGESTED. SEE ATTACHED TEMPLATE.



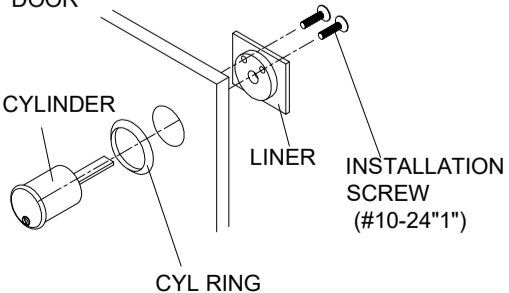
3. APPLY RAIL ASSEMBLY

1. CHECK THE SIZE OF DEVICE, IF CUTTING LENGTH IS REQUIRED.
2. DETERMINE CUT OFF LENGTH "X" BY SUBTRACTING 1 3/4" FROM "Y". MARK CUT OFF POINT ON MOUNTING RAIL.
3. DEPRESS ARM INTO RAIL OPENING AND SLIDE RAIL ONTO CHASSIS. LEVER RAIL AND FASTEN CHASSIS AND MOUNTING PLATE.

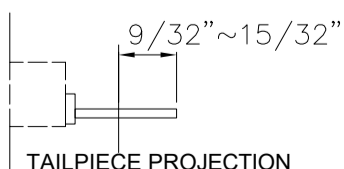


2.2. INSTALL CYLINDER

OUTSIDE FACE OF THE DOOR



1. INSERT THE CYLINDER THROUGH CYL RING THE HOLE ON THE DOOR
2. KEEP THE TAILPIECE HORIZONTAL.
3. MOUNT LINER ON INSIDE OF DOOR AND TAILPIECE PROJECTION OVER INSIDE OF DOOR IS SUGGESTED IN THE RANGE 9/32"~15/32". IF NECESSARY, USE A PLIER TO BEND AND CUT TO DESIRED LENGTH.



4. APPLY COVER AND STRIKES

