

700 SERIES

ANSI A156.4 Grade 1, Optional Slim Cover, Sized Door Closer
UL Listed, Conforms to Standards UL10C and UBC7-2-1997
Lifetime Warranty



- Meets and Exceeds ANSI Standard A156.4 Grade 1
- Universal Hole Pattern Offering Versatility and Precision Engineering for New and Retrofit Market
- Choice of Regular, Parallel, or Hold-Open Arms for All Standard Applications
- Sized Door Closer. Sizes 2, 3, 4 and 5
- Hydraulic Door Closer with Optional Back-Check
- Optional Slim Plastic Cover

FEATURES

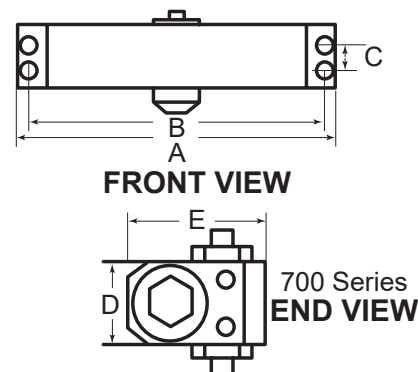
- Hydraulic Door Closer with Dual Valve, Closing and Latching Speed Controlled by Two Separate Regulating Valves
- Universal Application, Non-Handed, Designed for All Standard Installations
- Reinforced Type Adjustable Tube Arm
- Rack and Pinion Operation Contained in a High Tensile Precision Cast Aluminum Housing for the Highest Quality
- High Quality Hydraulic Fluid for High Lubricity and Constant Lubrication
- The Streamlined Design Permits Installation on Most Commercial and Residential Applications without Adaptors
- Sized Door Closer. **720** Size 2, **730** Size 3, **740** Size 4 and **750** Size 5

RECOMMENDED CLOSER SIZES FOR INTERIOR & EXTERIOR

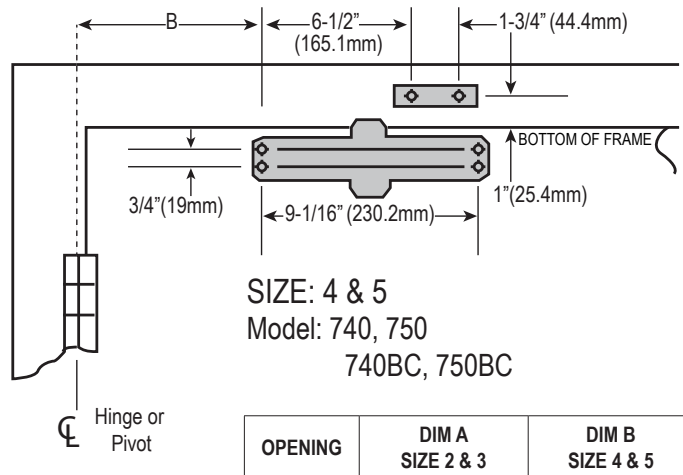
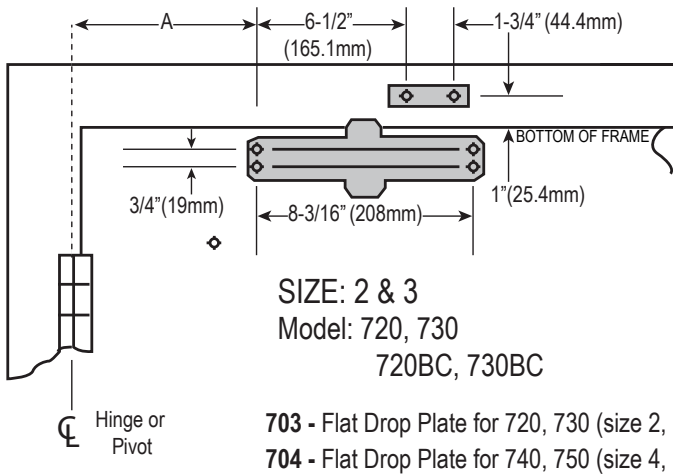
REGULAR CLOSERS				CLOSERS WITH PARALLEL ARM ADAPTER				
MODEL NO.	DOOR WEIGHT (POUNDS) ALL MODELS	MODEL NO. HOLD OPEN ACCESSORIES	TYPE OF DOOR	MAXIMUM SIZE OF DOOR			MAXIMUM SIZE OF DOOR	
				INTERIOR	EXTERIOR INSWINGING	INTERIOR OUTSWINGING	INTERIOR	EXTERIOR INSWINGING
720	55-100	901/902	Heavy screen doors or medium weight interior door of wood or metal	3'0"	----	----	2'6"	----
730	88-143	901/902	Light exterior doors and interior doors of wood or metal	3'6"	2'6"	3'0"	3'0"	2'6"
740	120-187	901/902	Exterior doors and heavy interior doors of wood or metal	4'0"	3'0"	3'6"	3'6"	3'0"
750	176-265	901/902	Heavy exterior doors and heavy interior doors	4'6"	3'6"	4'0"	4'0"	3'6"

NOTE: Doors of unusual height or weight, or doors subject to severe wind or draft conditions, or abusive usage, require the next larger model closer than the schedule.

SPECIFICATIONS				
DESCRIPTION	SIZE 2	SIZE 3	SIZE 4	SIZE 5
A. Length of Closer Body	8 7/8"	8 7/8"	9 3/4"	9 3/4"
B. Horizontal Mounting Holes	8 3/16"	8 3/16"	9 1/16"	9 1/16"
C. Vertical Mounting Holes	3/4"	3/4"	3/4"	3/4"
D. Height of Closer Body	1 3/4"	1 3/4"	1 3/4"	1 3/4"
E. Projection from Door	2 7/8"	2 7/8"	2 7/8"	2 7/8"

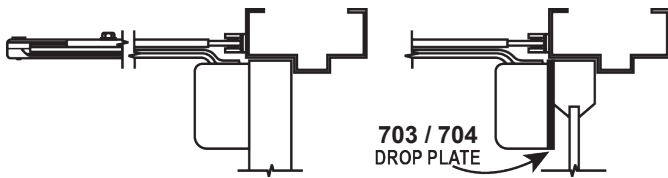


700 SERIES: REGULAR ARM INSTALLATION (PULL SIDE)

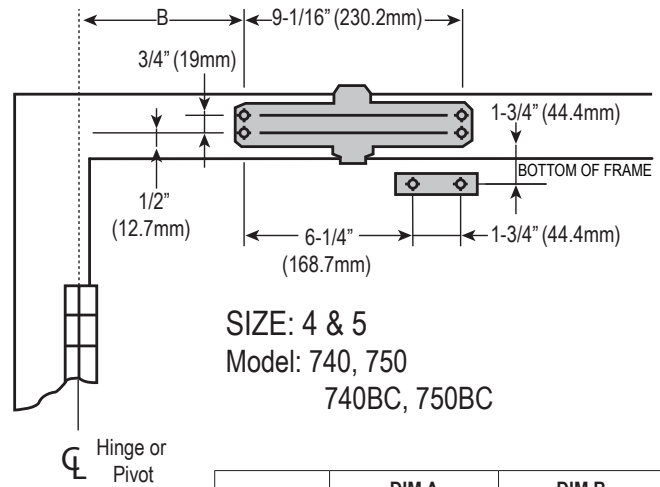
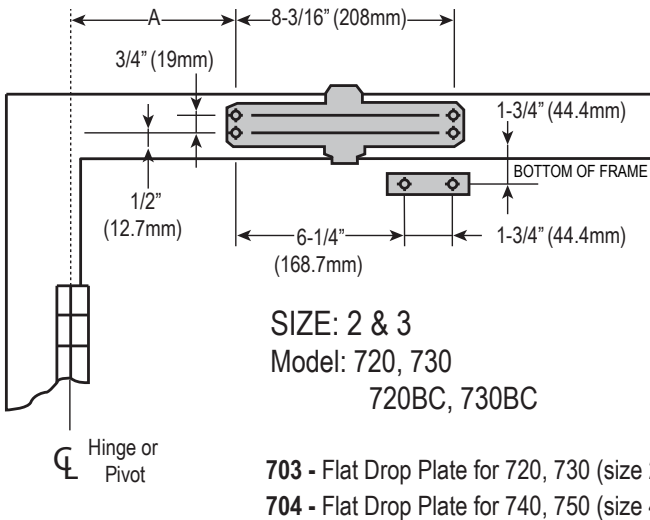


OPENING	DIM A SIZE 2 & 3	DIM B SIZE 4 & 5
120° - 180°	6-1/2" (165.1 mm)	6-1/2" (165.1 mm)
OVER 180°	4" (101.6 mm)	4" (101.6 mm)

- RIGHT HAND DOOR SHOWN
- RIGHT HAND DOOR OPPOSITE
- DIMENSIONS ARE IN INCHES
- DRAWING NOT TO SCALE

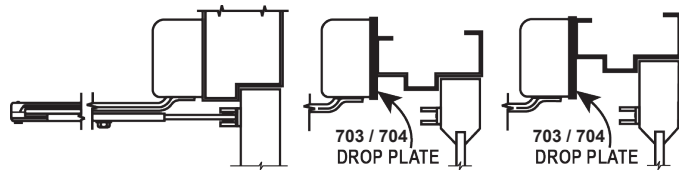


TOP JAMB INSTALLATION (PUSH SIDE)

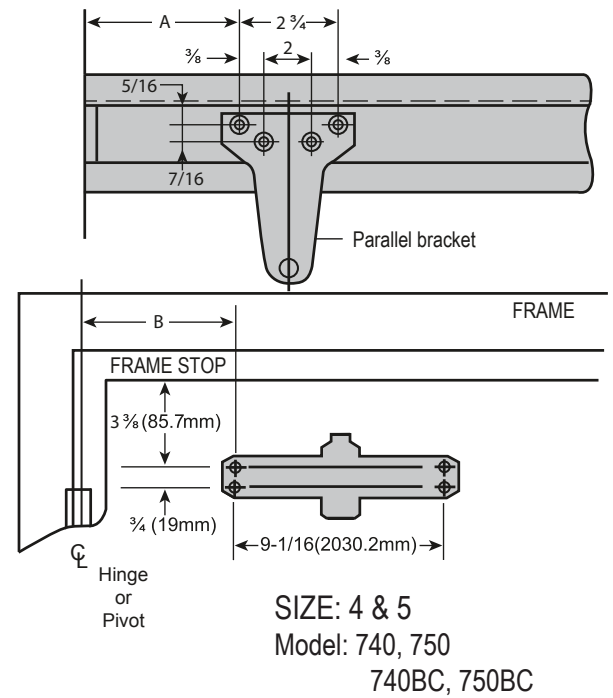
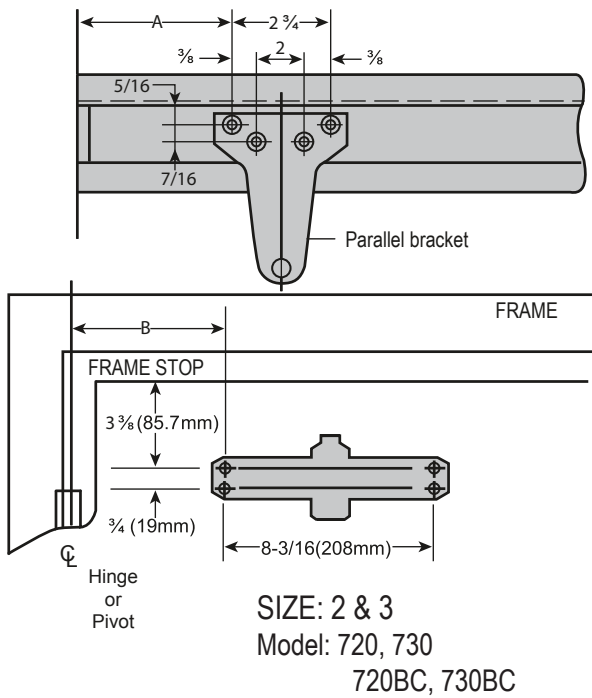


OPENING	DIM A SIZE 2 & 3	DIM B SIZE 4 & 5
120° - 180°	6-1/2" (165.1 mm)	6-1/2" (165.1 mm)
OVER 180°	4" (101.6 mm)	4" (101.6 mm)

- LEFT HAND DOOR SHOWN
- RIGHT HAND DOOR OPPOSITE
- DIMENSIONS ARE IN INCHES
- DRAWING NOT TO SCALE

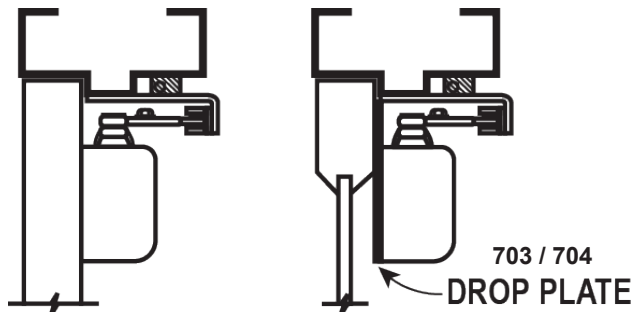


700 SERIES : PARALLEL ARM INSTALLATION (PUSH SIDE)



- LEFT HAND DOOR SHOWN
- RIGHT HAND DOOR OPPOSITE
- DIMENSIONS ARE IN INCHES
- DRAWING NOT TO SCALE

OPENING	DIM A SIZE 2 & 3	DIM B SIZE 2 & 3	DIM A SIZE 4 & 5	DIM B SIZE 4 & 5
120° - 180°	8-5/8" (219 mm)	7-13/16" (198.4 mm)	8-5/8" (219 mm)	6-15/16" (176.2 mm)
OVER 180°	6-9/16" (166.7 mm)	5-5/8" (142.9 mm)	6-9/16" (166.7 mm)	5-3/16" (131.8 mm)



703 - Flat Drop Plate for 720, 730 (size 2, 3)

704 - Flat Drop Plate for 740, 750 (size 4, 5)