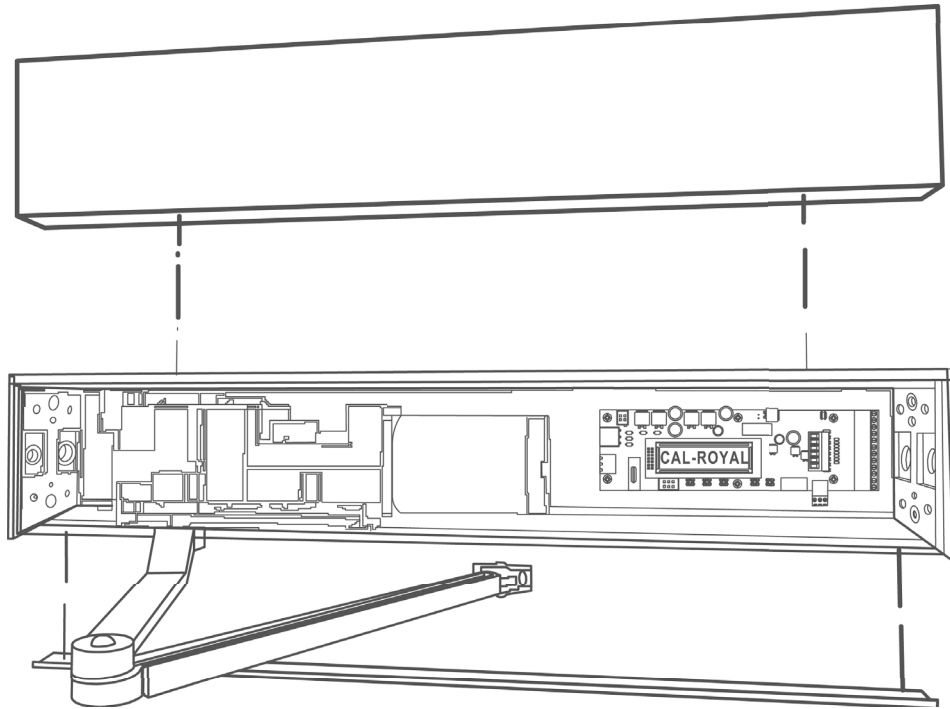


**CAL-ROYAL PRODUCTS Inc.**  
**AUTOMATIC LOW ENERGY SWING DOOR OPERATOR**

---

**Operations & Installation Manual**



**These original installation instructions detailed within are solely for professional installers and not intended to be handed over to the end user.**

Ver. October 31, 2020

CAL-ROYAL PRODUCTS Inc.  
6605 Flotilla Street, City of Commerce, CA 90040 USA  
Tel.# (323) 888-6601, FAX# (323) 888-6699  
WEB SITE: CAL-ROYAL.COM  
Email: sales@cal-royal.com




**WARNING**



Failure to observe the information in this manual may result in personal injury or damage to equipment. To reduce the risk of injury to persons - use this operator with single or double pedestrian swinging doors only. Save these instructions for future reference.

**AVOIDANCE OF ELECTRIC SHOCK, INJURY, FIRE OR MALFUNCTIONS**

	Please read these instructions carefully before installing the door operator. We are not responsible for any loss or damage if these precautions are not followed. These instructions should be followed to avoid the possibility injury and damage due to wrong installation or adjustment.
	During maintenance and installation, the power to the control unit should be OFF.
	Please use the correct power supply – Power Acceptance 90V~250V DC - 50 / 60 Hz
	Make sure that the operator is grounded or connected to earth! The coating of the operator is made of an electrically conductive metallic material, which will easily induce electrical conduction! Make sure the ground or earth wire is connected!
	The operator housing is not completely sealed, therefore it should be noted that excessive moisture or a corrosive atmosphere could destroy the electronic components contained within.
	Do not remove screws and bolts from the structure of the Control Unit or Motor Gear Box. Do not intend to open, repair or alter any part of the operator unit. Failure to comply results in loss of warranty.
	Installation and maintenance of this product can be performed by Trained and authorized personnel only.
	Before switching ON the power supply, make sure that no objects obstruct the travel of the automatic Doors.
	NATIONAL WIRING REGULATIONS AND STANDARDS MUST BE CONFORMED TO.
	Follow all indicated instructions as improper installation could cause severe damage.
	Correct equipment must be used in order to reach overhead area for installation and service.
	KEEP FINGERS & CLOTHING CLEAR OF ALL MOVING PARTS
	Please keep these instructions.
WARRANTY	24 MONTHS FROM SHIPMENT - WARRANTY VOID IF REPAIR IS ATTEMPTED TO MOTOR GEAR OR CONTROL ASSEMBLY

**TABLE OF CONTENTS**

#	SECTION
1.0	PRODUCT SUMMARY
2.0	TECHNICAL SPECIFICATIONS
3.0	RECEIVING INSPECTION
4.0	PRE-INSTALLATION INFORMATION
5.0	OPERATOR INSTALLATION
6.0	PUSH & PULL ARM(S) INSTALLATION
7.0	DOOR LEARNING CYCLE + START UP
8.0	ELECTRONICS CONTROLLER PROGRAMING
9.0	WIRING CONNECTIONS
10.0	CHANGE HANDING OF OPERATOR
11.0	SAFETY SIGNAGE + DECALS
12.0	TROUBLE SHOOTING
13.0	DAILY SAFETY CHECK LIST
14.0	ADDITIONAL INFO

# 8600 Series Installation Instruction

---

## SECTION - 1.0

8600 is a universal non-handed, electro-mechanical swing door operator, which provides powered door opening upon activation. Designed to facilitate barrier free access into and within buildings, through swing doors.

When properly installed and programmed this product complies with ANSI/BHMA A156.19 Standard for Power Assist and Low Energy Power Operated Swinging Doors.

8600 features enable the continuous automation of pedestrian doors, whilst offering Low Energy barrier free access. Designed to achieve the highest degree of safety whilst offering a long service life.

**It is the responsibility of the installer and/or installation company to certify that the final completed Operator is installed in accordance with local building codes, applicable laws and ANSI 156.19 standards governing this product.**

Opening - When an open signal is received by the control unit, the door is opened at the factory set or pre-adjust opening speed. Before the door is fully open, it will begin its back check, slowing automatically to low speed. The motor stops when the selected full open angle has been reached. The open position is held by the motor.

In case the door encounters an obstruction during the opening cycle, once the maximum current limit is reached for at least 2 seconds, the door opening is then canceled.

Closing - When the activation time has elapsed, the operator will close the door automatically, using spring force and motor power. The door will slow to latch speed before it reaches the full closed position. The door is kept closed by spring power.

Power Failure - During power failure the operator acts as a manual door closer with controlled closing speed.

The 8600 can be surface or concealed mounted on either side of the door header for left, right, pull or push applications. It is suitable for either single or double door opening, being either hinged or center hung mounted.



# 8600 Series Installation Instruction



## Section # 2.0 - Technical Specification

1.0	Model	8600
2.0	Application	Low Energy Swing Door Operator
3.0	Power Supply	90V ~ 250V AC, 50/60Hz
4.0	Consumption	100W Max
5.0	Motor	1/4 Hp, Low revolution 24VDC, 3A MAX
6.0	Rated Operation	Continuous opening and closing cycles
7.0	Reduction Gear	Enclosed Reduction Gear system
8.0	Control System	Microprocessor Digital Control
9.0	Operating Environment	Ambient temperature -18 deg ~ +50 deg. (no condensation or icing) Ambient humidity 30% to 85%RH (no hazardous materials must be present in the atmosphere)
10.0	Operation During Power Failure	Low manual resistance when opened by hand. Door closing by spring.
11.0	Operator Net Weight	17kg Approx./ 38lbs
12.0	Operator Dimensions	5 1/2" (H)(140 mm) x 4 1/2" (D) (115mm)
13.0	Door Weight (max)	700 lbs (318kg) per leaf
14.0	Door Width Limits	29" up to 60" (Consult factory for Special Sizes)
15.0	Operator Width	29" - 102"
16.0	Installation Types	Push, Pull, Overhead Concealed, Center spindle
17.0	Adjustable Opening Angle	80° - 180°
18.0	Auxiliary Power supply	1.2 Amps @ 24vdc for accessories
19.0	Closing Force	Adjustable Pressure by Spring Tension and optional motor close
20.0	Product Standards	UL 325 Listed by ETL #5012330 ANSI 156.19 Compliant

# 8600 Series Installation Instruction



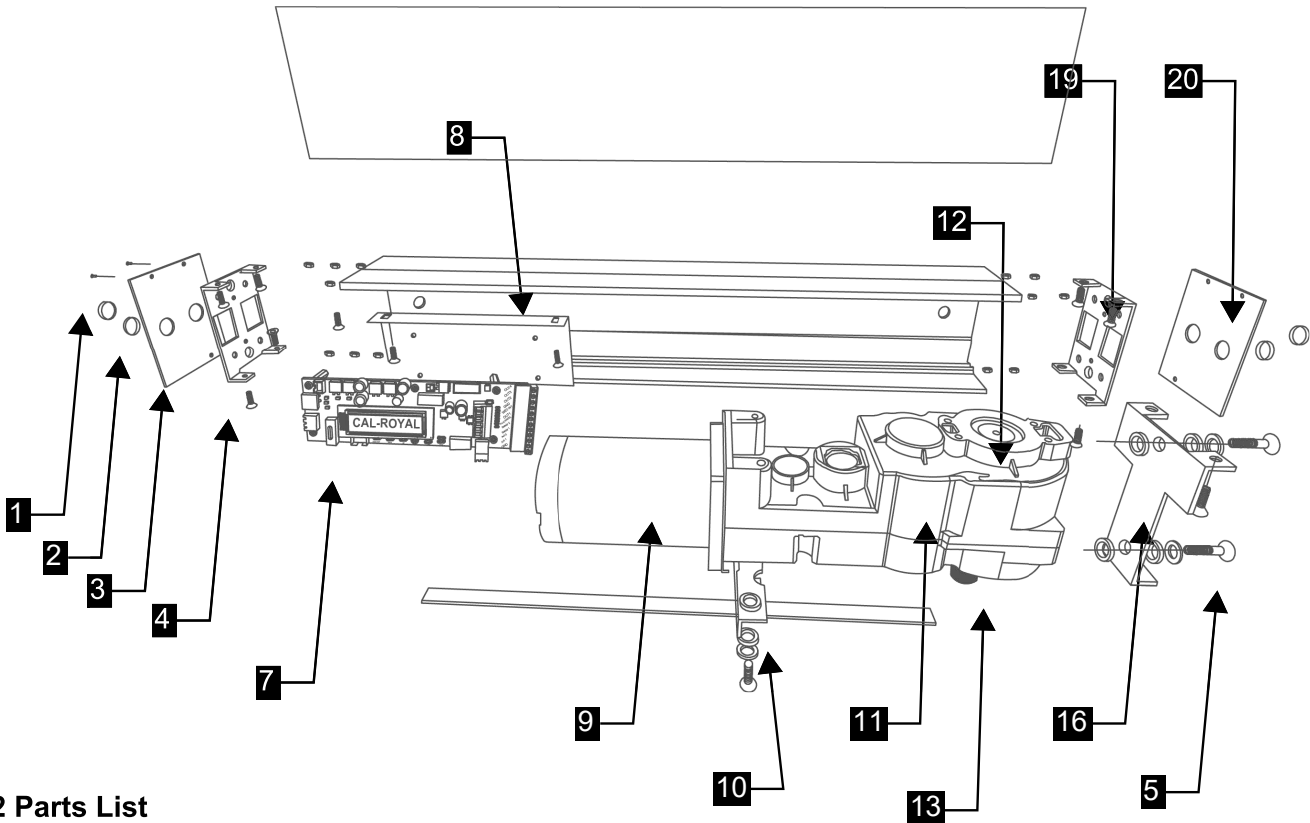
## Section # 3.0 - Receiving Inspection

On receiving the package, please verify that the order was shipped complete and correct. Including model number, header width, door handing, arm and color.

- ☒ If any of the below items are not correct, do not attempt to install the unit until all conditions are correct.
- ☒ Report any incorrect items immediately.

NO CLAIMS FOR SHORTAGE WILL BE ACCEPTED UNLESS REPORTED WITHIN 24 HOURS OF RECEIPT OF SHIPMENT. THE FOLLOWING ITMES SHOULD BE SUPPLIED:

### 3.1 Exploded View



### 3.2 Parts List

No.	Description	Part No.
1	Screw end cover	SEC-8600
2	Blank end cover	BEC-8600
3	End cover plate Left	ECPL-8600
4	End cover bracket Left	ECBL-8600
5	Fixing Bolt	FB-8600
7	Control Unit 8600	CU-8600
8	8600 Housing	MH-8600
9	Motor	M-8600
10	Motor gear box mount bracket	MGBMB-8600
11	Gear Box	GB-8600
12	Spindle	S-8600
13	Mechanical door stop	MDS-8600
16	Motor gear box end support bracket	MEB-8600
19	End cover plate Right	REP-8600
20	End cover bracket Right	ECBR-8600

## Section # 4.0 - Pre-Installation Information

### 4.1 Safety Precautions

- Only trained technicians are authorized to carry out these operations.
- Ensure all power is OFF to the unit, before performing any work or maintenance.
- Do not climb or put weight on any door or header parts.
- Do not let children play with the operator or the electrical board.
- Keep remote controls away from children.

To avoid bodily injury, material damage and malfunction of the product, the instructions contained in this manual must be strictly observed during installation, adjustment, repair and service.

Training is needed to carry out these tasks safely.

### 4.2 Compliance Codes and Standards

It is the responsibility of the final installer and/or installation company, to certify that the final completed operator is installed in accordance with ANSI/BHMA A156.19 Standard for Power Assist and Low Energy Power Operated Swing Doors, local building codes and applicable laws.

Be sure to complete the site inspection and acceptance test before taking the door into operation.



### **CAUTION**



- A wiring must conform to standard wiring practice in accordance with national and local wiring codes.
- Door must swing freely through the entire opening and closing cycle before beginning of installation.
- Incorrectly installed or improperly adjusted door operators can cause property damage or personal injury.
- A dimensions are given in inches (millimeters), unless otherwise note.
- Before installation, verify door frame is properly reinforced and is well anchored in the wall.
- Concealed electrical conduit and concealed switch or sensor wires should be pulled to the frame before proceeding.

### 4.3 Electrical

The 115±5VAC supply lines are connected into the Green Connector block located to the left hand side of the control unit. Words clearly indicate its correct wiring. The ground wire is also connected into the Green Connector block.

The control board settings have been pre-set prior to shipment. It will be necessary for the door operator to be functional while adjustments and settings are made. Please follow these instruction for a successful installation.

A black push actuator button indicated by 'TEST/LEARN' is mounted to the lower left corner of the Visual display to ease in the adjustment process.

Once the unit is powered up, and before the arm is installed. Push the 'TEST/LEARN' button in order to check the spline drive shaft rotates in the correct direction.

Keep all wires away from moving parts and sharp edges that may cut into the outer casing of the wires.

Installation of any extra wiring for controls or accessories into the header unit shall be secured and away from any moving parts.

If the motor is not plugged into the circuit board, there is no resistance against the spring when manually opening the door. **The door or arm will close very quickly if opened.**

If an electrical access hole is added or knocked-out of the end plates, code approved electrical transfers must be used. Hole cannot be knocked out and unfilled.

## 8600 Series Installation Instruction

---

### 4.4 Required Tools for Installation

- Allen Wrench Set
- Power Drill and Drill Bits
- Level
- Tape Measure
- Wire Stripper
- Screwdrivers: Flat, Philip, 5/16" Hex.Nut
- Additional Fasteners Depending Surface
- Shims
- Hand Saw/ Power Saw

### 4.5 Suggested Fasteners for Frame

- #14 x 2-3/4" (70mm) long sheet metal screws for wood.

### 4.6 Suggested Fasteners for Door

- #12, #14, Wood screws, Sheet Metal screws, Self-tapping screws of varying lengths depending on applications.
- Typically, doors are hung on 4 1/2" butt hinges or 3/4" (19mm) offset pivots.

**The fastener components listed above are merely suggestions. A technician should use their best discretion to determine what components they'll need to complete the job.**

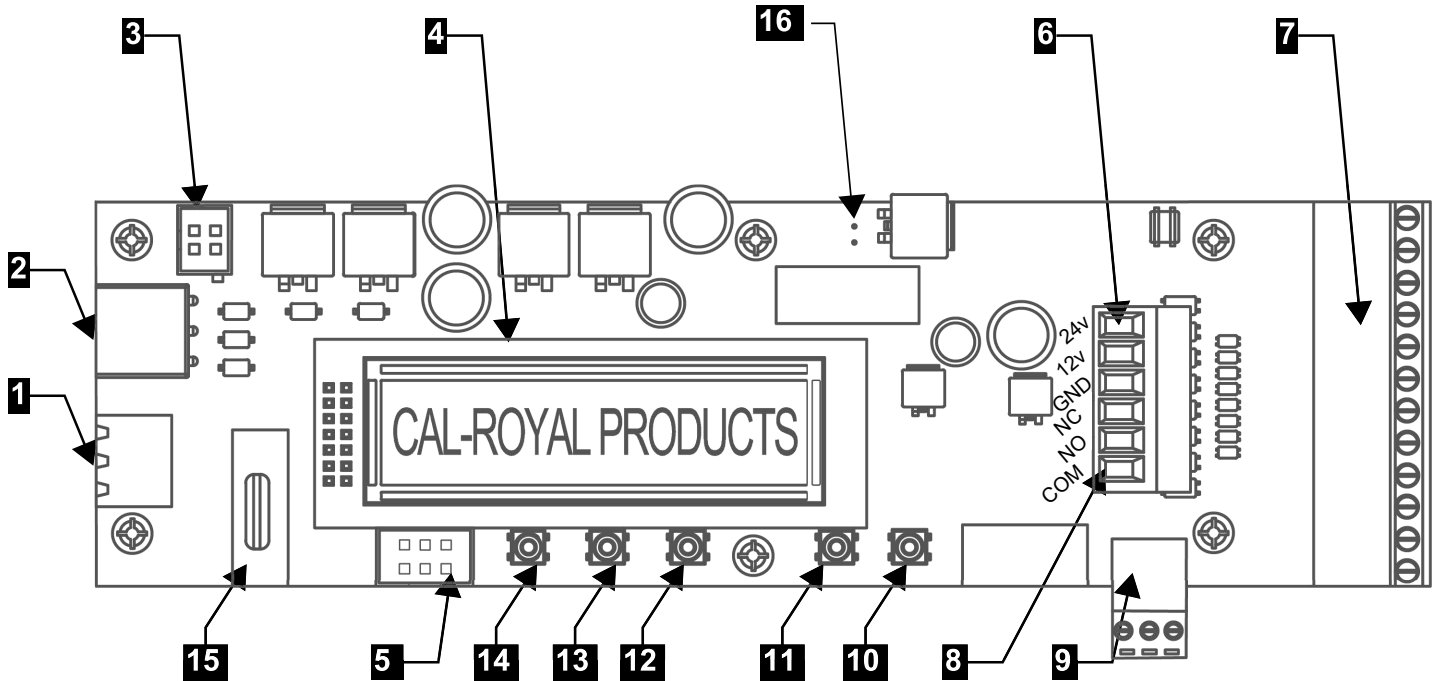
# 8600 Series Installation Instruction



## Section # 5.0 - Operator Installation

The following information gives a complete guidance to the correct installation on 8600 Swing door operator.

### 5.1 Control Unit 8600



No.	Description		
1	Power Input (90-250VAC 50/60hz)	9	3 Position Switch Input connector
2	Motor Connector Plug in	10	Enter Button
3	Motor Encoder Connector Plug in	11	Down Button
4	LED Display Screen	12	Up Button
5	Sync / Comm Connector Plug in (Double Operator)	13	Menu Button
6	24VDC / 12V DC Power Output Connector	14	Test / Learn Button
7	Activation / Safety Accessories Connector	15	Fuse - Replaceable
8	E-Lock Signal Connector	16	Battery Back-up Connection

# 8600 Series Installation Instruction

## 5.3 Operator Handing and Orientation

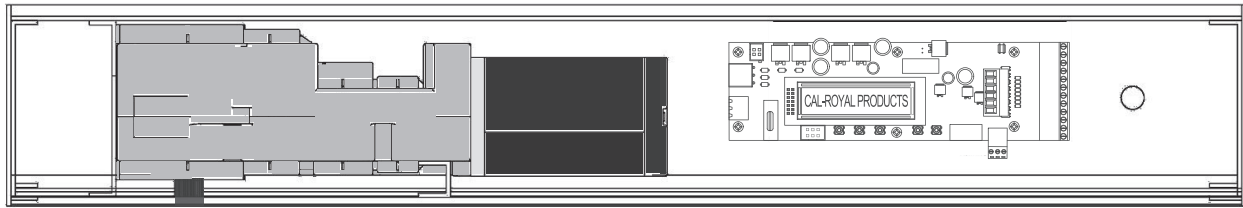
Verify that the operator is the correct orientation. Left Push, Right Push, Left Pull or Right Pull.

### Note:

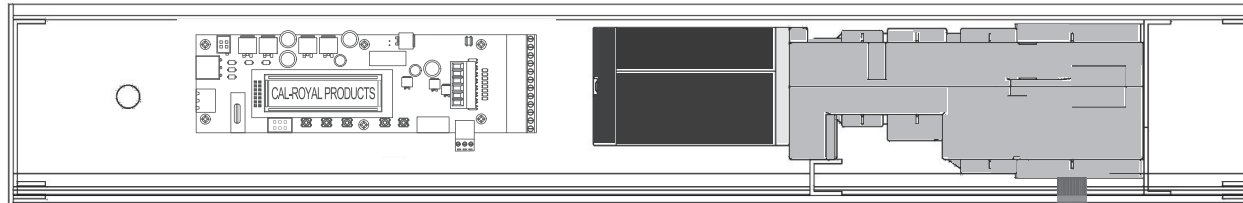
- If the operator label is facing 'Down' to the floor, the handing is Left Hand Push/Pull.
- If the operator label is facing 'up' to the ceiling, the handing is Right Hand Push/Pull.

## 5.4 PUSH Arm

LEFT Hand PUSH

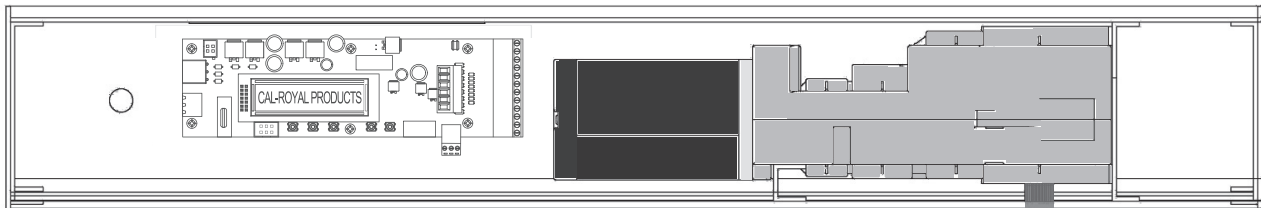


RIGHT Hand PUSH

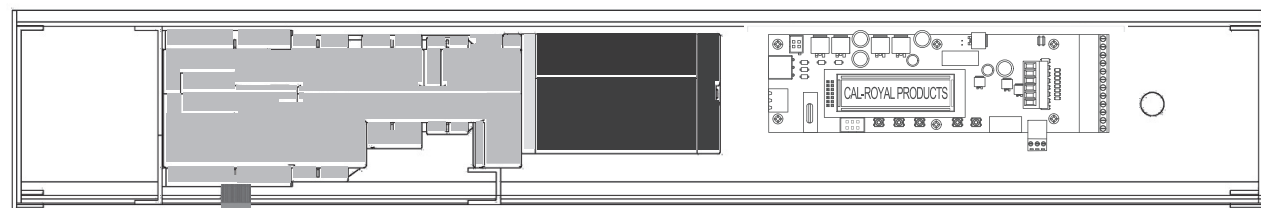


## 5.5 PULL Arm

LEFT Hand PULL



RIGHT Hand PULL

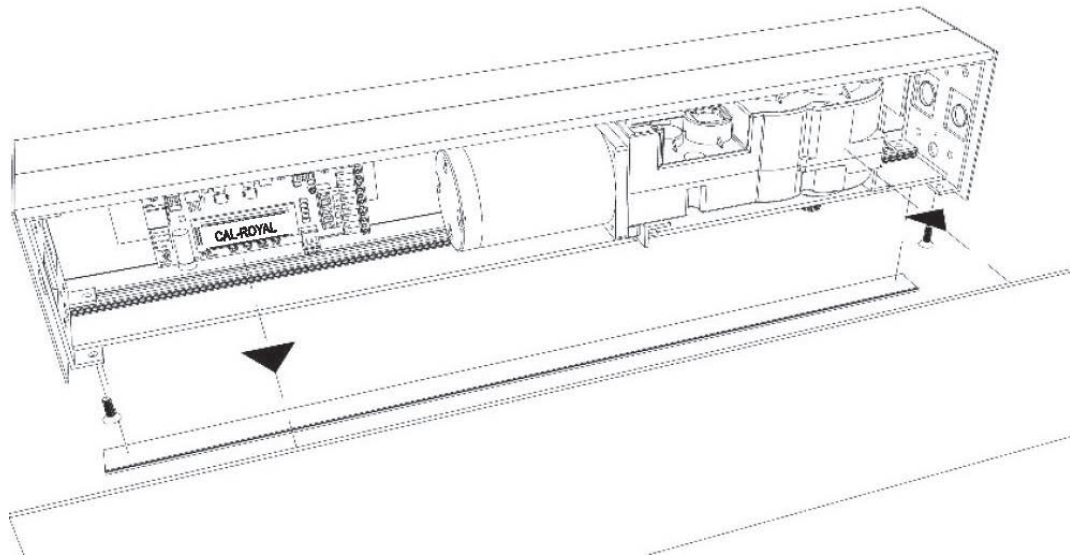


# 8600 Series Installation Instruction

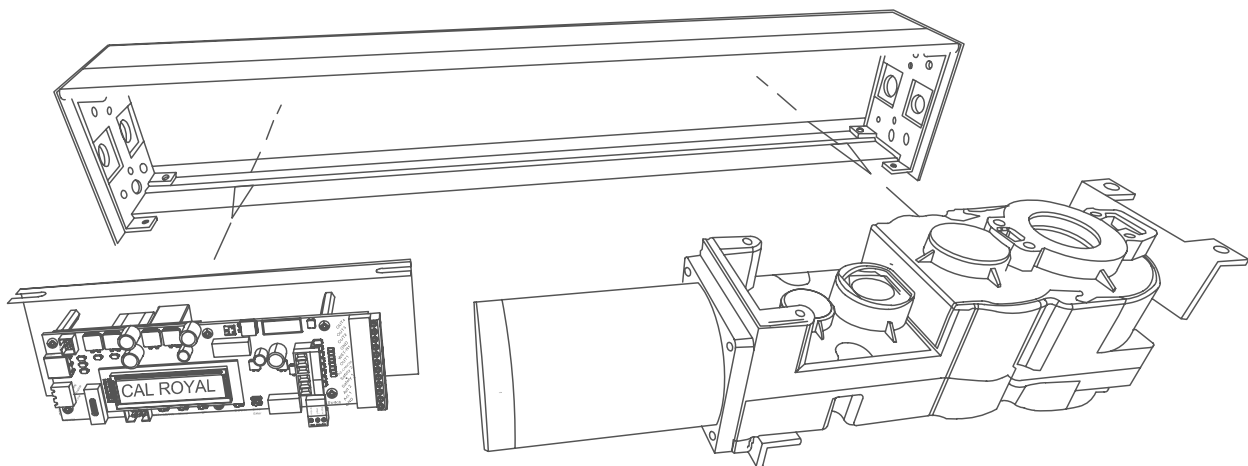


## 5.5 Operator Installation

**Step 1.** Remove the cover from the assembly by gently pulling the cover down with minimal effort. Carefully set the cover in a location where it will not be damaged.



**Step 2.** Remove the motor/gearbox and control board from the back plate make through holes on the back plate for mounting header where appropriate.  
Note: Can be installed without removal of motor/gear box and control board if preferred.



# 8600 Series Installation Instruction

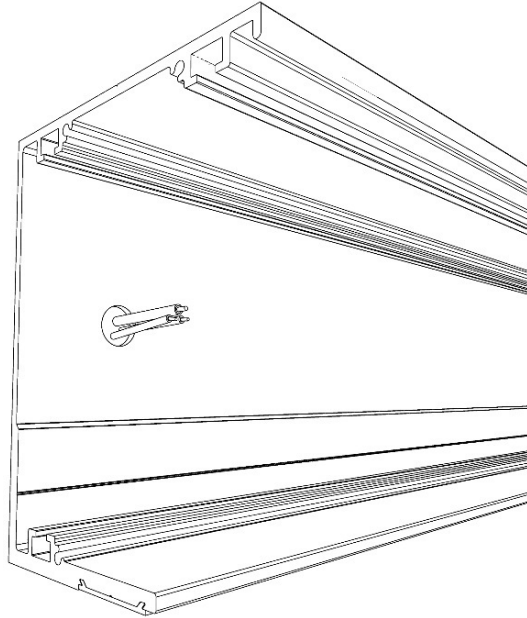


## Step 3. Power Supply

Make sure all power is turned OFF before handling the supply wires. This should be done by a certified electrician and within the guidelines of the enforced local electrical codes.

Drill holes for the high voltage wires in backing plate.

Pull the power supply into the header at the same time as the header assembly is positioned.

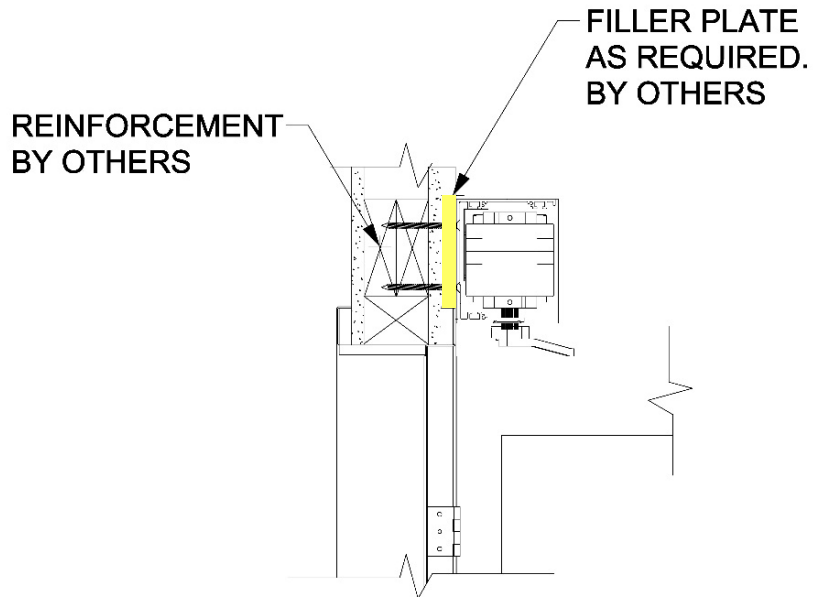


## Step 4. Fixing Operator in Place

Be sure there is proper support in the wall to secure the header at the vertical jambs and behind the header at intervals between the vertical jambs.

A solid spacer material or filler may be required to compensate for any gap between the back of base rail and wall.

Ensure, before fixing base rail to the door frame, that access holes for power supply cables are in line, if required.



Secure the header box to the top of the door frame with the appropriate fasteners.

Holes can be made anywhere in header to secure. All holes MUST be drilled into substantial support (studs, blocks, framing, etc.).



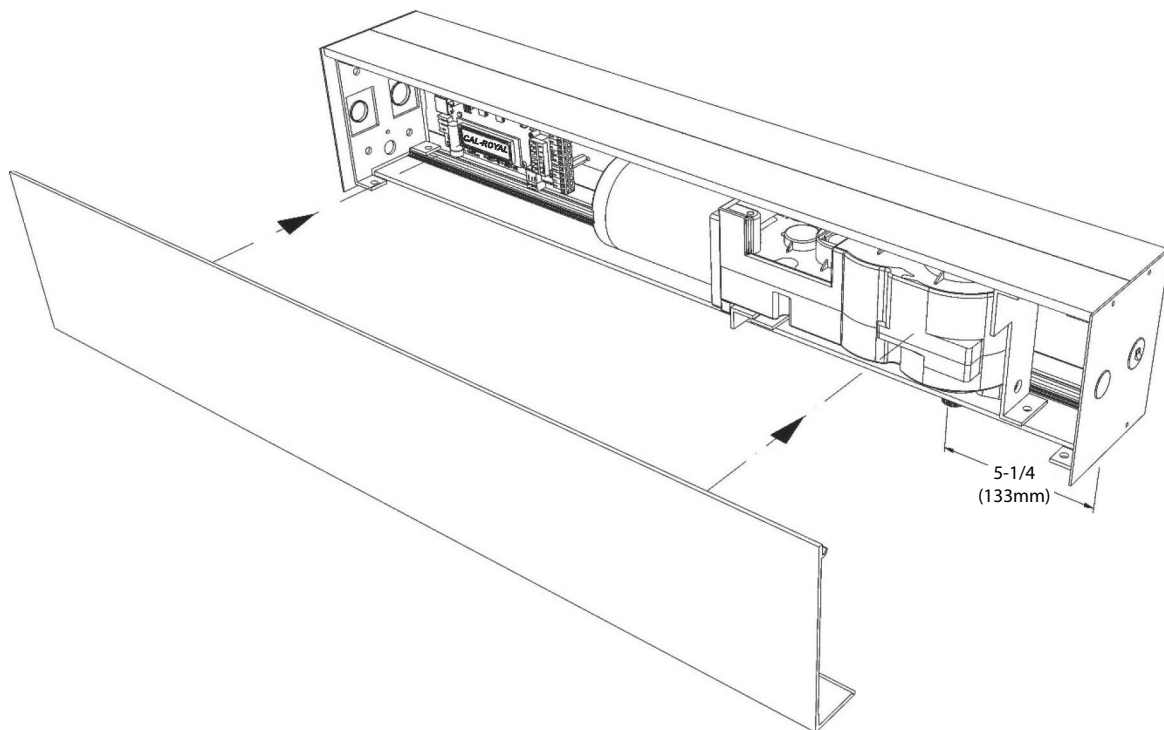
# 8600 Series Installation Instruction



**Step 5.** Once the header back plate is in place, install the motor/gearbox and control board to the header back plate. Slide the nuts (supplied with the operator) to hold the motor/gear box and control board along the 2 parallel tracks on the back plate.

Fasten the bolt to hold the motor/gear box and control board in place.

The motor/gearbox needs to be installed so that the center of the spindle is 5 1/4" ( 133mm) from the end plate.



# 8600 Series Installation Instruction



## Section # 6.0 - Push and Pull Arms Installation

Following these simple steps will allow the door to be set up quickly and correctly. Refer to installation drawings below.

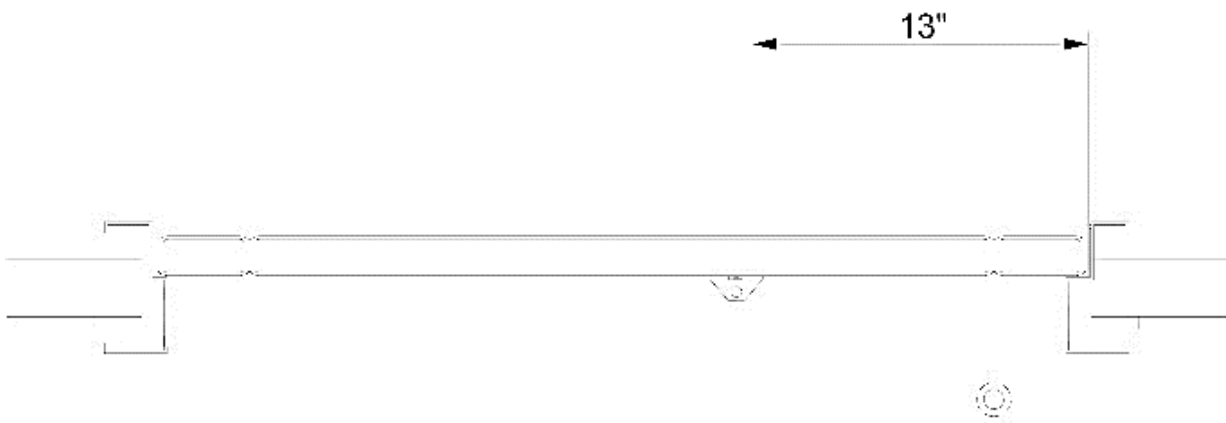
### 6.1 PUSH/ LINK Arm 0"-14" Reveals

Notes: Base rail to be mounted flush with the bottom of the door frame.

A solid spacer material or filler may be required to compensate for any gap between the back of base rail and wall. Ensure, before fixing base rail to the door frame, that access holes for power supply cables are in line, if required

**Step 1.** Without arm fitted, set 3-position switch to Hold Open (II). The drive shaft with turn fully until hitting the in-built fixed doorstop, so charging the spring.

**Step 2.** With door in closed position, Install door shoe and rod to the door according to the installation drawing below at 13" to the first hole.



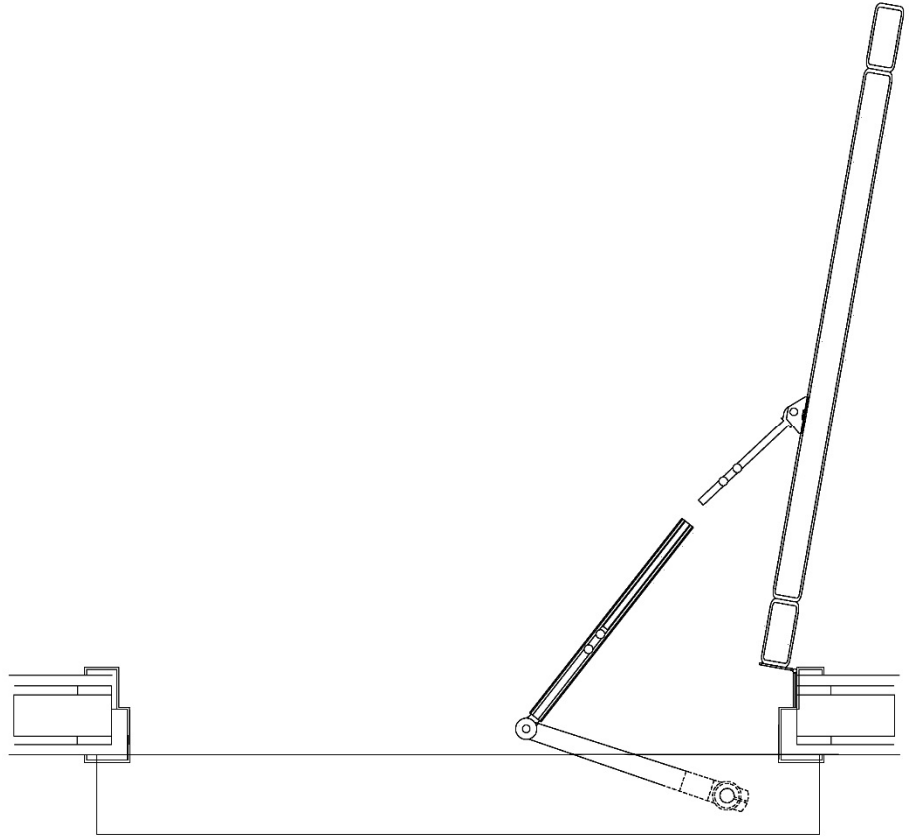
# 8600 Series Installation Instruction



**Step 3.** Manually open the door to the full open position (Approx. 100deg open position).

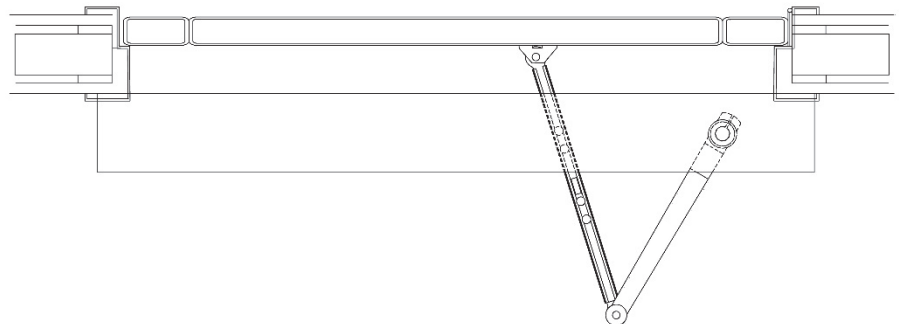
Line up Rod with Push Arm, sliding Rod into Push Arm and tighten bolts.

Fit PUSH arm to the drive shaft at the full open position, close door and tighten arm.



**Step 4.** Set 3-position switch to manual (0) and allow door to close under spring pressure.

Test and adjust arm at full closed position as necessary so door closes fully with frame.



**Step 5.** Press Test/Learn button to begin the learning cycle. See Learning Door Cycle.

# 8600 Series Installation Instruction



## 6.2 PULL / SLIDE TRACK STANDARD ANGLE ARM 0" - 4" REVEALS

Notes: Operator to be mounted so that base of drive shaft is clear above the door top. See Installation Drawings.

A solid spacer material or filler may be required to compensate for any gap between the back of base rail and wall. Ensure, before fixing base rail to the door frame, that access holes for power supply cables are in line, if required

**Step 1.** Without PULL arm fitted, set 3-position switch to Hold Open (II). The drive shaft with turn fully until hitting the in-built fixed doorstop, so charging the spring.

**Step. 2** Manually open the door to full Step 2. Manually open the door to full open (Approx. 100deg open position).

Fit PULL arm to the drive shaft at the full open position so t he roller touches t he door.

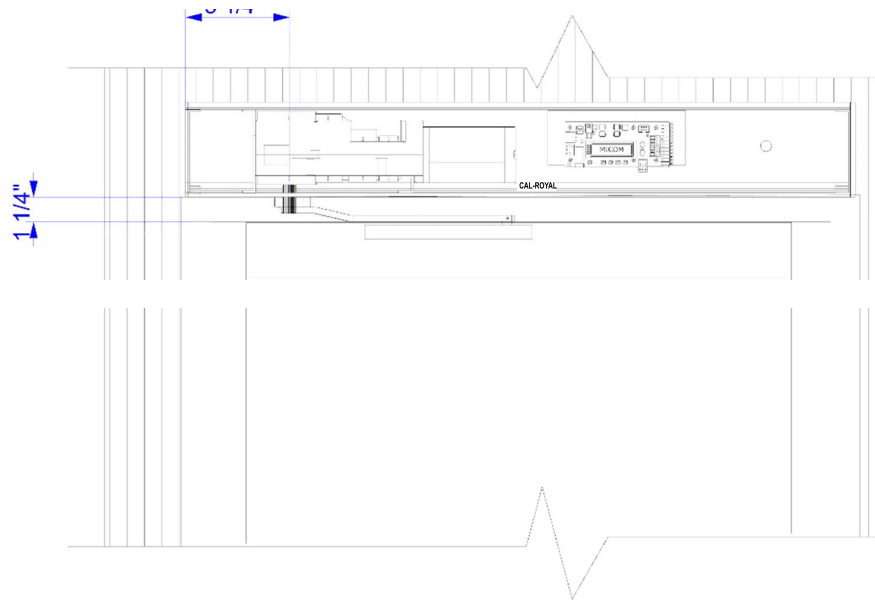
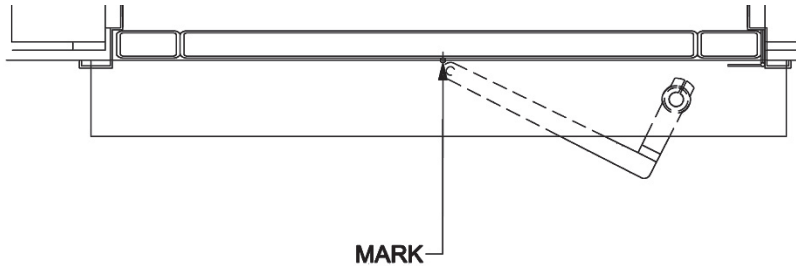
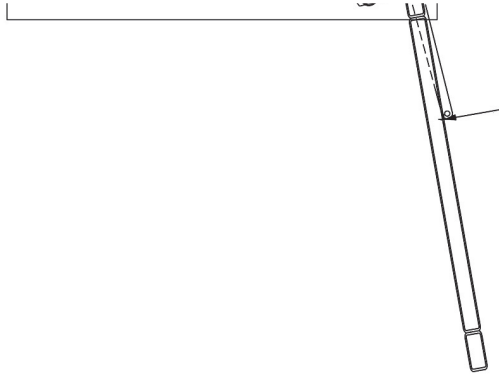
Mark the open position where roller touches the door.

**Step 3.** Set 3-position switch to manual (0) and allow the door to close under spring power.

Mark the closed position where the roller touches the door.

**Step 4.** Position slide track horizontally within 1st and 2nd mark, then fix it to the door.

Slide the roller along the channel, followed by fitting end caps.



**Step 5.** Turn 3-position switch to automatic (I). Press Test/Learn button to begin the learning cycle. See Learning Door Cycle.

# 8600 Series Installation Instruction

---



**THIS PAGE LEFT INTENTIONALY BLANK**

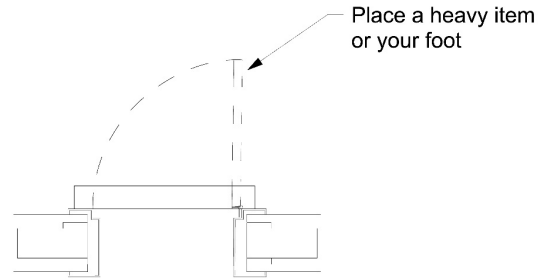
# 8600 Series Installation Instruction

## Section # 7.0 - Learning Cycle + Start up

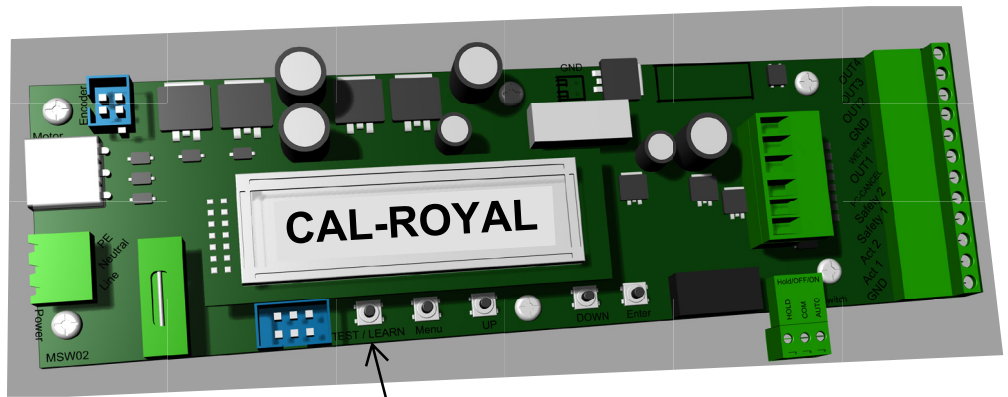
“TEST/LEARN” button is currently used for two functions.

- a. **TEST** - If the ‘TEST/LEARN’ button is pressed for less than 3 seconds and released, an activation will be generated.
- b. **LEARN** - If the button is pressed for at least 4 seconds and released, a door re-learn is selected.  
Re-learn is confirmed by pushing the “ENTER” button.  
Re-learn can be cancelled by pushing the “TEST” or “MENU” or “UP” or “DOWN” button.

**Step1.** Place a heavy item or your foot at the desired full open position at approx. 90deg open position.



**Step 2 .** Press Test/Learn button for 3 seconds and release to begin the learning cycle.



**Step3.** Incorporating a unique electronic stop, the door will learn the full open position during a one-time open/close cycle.

The door will open until it touches the object at the desired full open position.

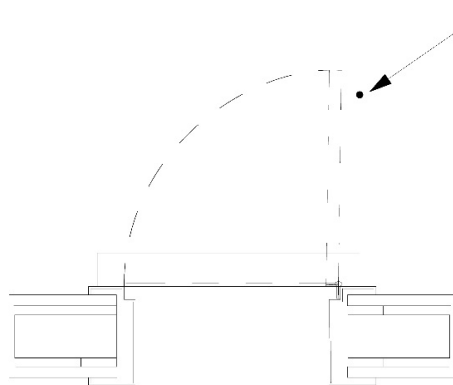
Back-check and latching position are automatically calculated and do not need setting (unless adjustment is required).

On the next activation, the door will open, slow at back check, then stop at the learnt open position.

The door will not hit the in-built fixed doorstop.

PRESS TEST / LEARN BUTTON

Door Stop



**Note: The built-in mechanical doorstop should only act as a limiting device should the door be pushed past it's pre-set electronically selected open position**

## Section # 8.0 - Electronics Controller Programming

- ∞ Programming is quick and simple via the visual LED display
- ∞ Each FUNCTION is clearly shown on the display in text, words and symbols
- ∞ The VALUE or APPLICATION can easily be adjusted using the buttons on the face of the controller
- ∞ Changed menu values will automatically be saved during the next opening cycle

## **SPECIAL WARNING**

### **All Menu Values and Settings must comply with ANSI/BHMA A156.19 Standard for Power Assist and Low Energy Power Operated Swing Doors**

- 8.1. Opening Speed (05-12 for Low Energy) **or** (05-20 for Full Automatic)
  - ∞ This setting is the door "Opening" speed from the fully closed position to the back-check position
  - ∞ Use the "UP" and "DOWN" buttons to select the desired door opening speed
  - ∞ Activate the door to check the speed is correctly adjusted
- 8.2. Back-check Speed (01-05)
  - ∞ This setting is speed when the door reaches the back-check position to the full door opening
  - ∞ Use the "UP" and "DOWN" buttons to select the desired door back-check speed
  - ∞ Activate the door to check the speed is correctly adjusted
- 8.3. Safety Speed (Hold/Crawl)
  - ∞ This setting is door speed when "Safety 2" is active during the opening cycle
  - ∞ Use the "UP" and "DOWN" buttons to select either Hold or Crawl speed
- 8.4. Closing Speed (01-15)
  - ∞ This setting is the door "Closing" speed from the fully opened position to the Latch area
  - ∞ Use the "UP" and "DOWN" buttons to select the desired door "Closing" speed
  - ∞ Activate the door to check the speed is correctly adjusted
- 8.5. Latch Speed (01-05)
  - ∞ This setting is the door "Closing" speed in the Latch area until fully Closed
  - ∞ Use the "UP" and "DOWN" buttons to select the desired door "Latching" speed
  - ∞ Activate the door to check the speed is correctly adjusted
- 8.6. Current Limit (01-20)
  - ∞ In case the door encounters an obstruction during the Opening cycle, once the maximum Current limit is reached for at least 2 seconds, the door Opening is then canceled
  - ∞ Use the "UP" and "DOWN" buttons to select the desired "Current" limit strength
  - ∞ Activate the door to Open. During the Opening cycle, physically apply pressure to stall the door for at least 2 seconds
  - ∞ Check the force needed to reach the limit at which the door Opening is canceled
  - ∞ Increase or Decrease this setting to achieve the correct strength needed
  - ∞ **Note: Setting of 10 is sufficient for most all applications**
- 8.7. Activation Time (01-60 seconds)
  - ∞ This setting is the duration of the door Open cycle in seconds
  - ∞ The timer starts when the door starts to activate
  - ∞ Use the "UP" and "DOWN" buttons to select the desired "Opening" time

## 8600 Series Installation Instruction

---

- 8.8. Hold On Manual Open (No or 01-05 seconds)
- ∞ This setting is the length of time the door will be physically held Open, when the door is “Manually” pushed or pulled open by a pedestrian
  - ∞ The door must be opened at least 60% of the door swing, for this feature to activate
  - ∞ Use the “UP” and “DOWN” buttons to Enable or Disable this feature and set the timer value to keep open
  - ∞ **Caution: do not set timer for more than 1.0 seconds unless requested by the end user**
- 8.9. Electronic Door Stop (Yes/No)
- ∞ This feature is always Enabled even if you select Disabled
- 8.10. Electric Lock (Yes/No)
- ∞ This setting is to Enable or Disable the electric Lock/Strike through the Control unit
  - ∞ Select No when there is not an electric Lock
  - ∞ Use the “UP” and “DOWN” buttons to set the proper Electric Lock
- 8.11. Electric Lock Delay (0.2-2.0 seconds)
- ∞ This setting is the length of time in seconds for the Delay between activating the Electric Lock and the Start of the Opening cycle
  - ∞ Use the “UP” and “DOWN” buttons to Disable or Enable the electronic Delay/Output
  - ∞ **Note: Setting of 0.2 seconds is sufficient for most applications**
- 8.12. Latch Position (2%-30%)
- ∞ This setting will adjust the door Latch position during the Closing cycle
  - ∞ Use the “UP” and “DOWN” buttons to set the starting point for the Latch position
  - ∞ Activate the door. During the Closing cycle, check the Latch starting position where the door begins to slow down
  - ∞ Check this setting is correctly adjusted
  - ∞ If stack pressure is preventing the door from Fully Closing set at 30% and activate the Power Close feature
- 8.13. Backcheck Position (70%-98%)
- ∞ This setting is to adjust the door Back-check position of the Opening cycle
  - ∞ Use the “UP” and “DOWN” buttons to set the starting point for the Back-check position
  - ∞ Activate the door. During the Opening cycle, check the position where the Back-check begins and the door starts to slow down
  - ∞ Check this setting is correctly adjusted
  - ∞ In windy conditions set to 70%
- 8.14. Push & Go (Yes/No)
- ∞ This setting is to Enable or Disable the Push & Go feature, also known as Manual Activation, when the door is Manually pushed or pulled open by hand
  - ∞ **Caution: do not activate this feature without training and specifically requested by the end user**
  - ∞ Use the “UP” and “DOWN” buttons to Disable or Enable this feature
- 8.15. Push & Go Active Time (01-30 seconds)
- ∞ This setting is to adjust the duration of the door Open cycle in seconds from when the door is Manually pushed Open to when the Push & Go feature is enabled
  - ∞ Use the “UP” and “DOWN” buttons to select the desired Opening time



# 8600 Series Installation Instruction



- 8.16. Power Close (Yes/No)
- ∞ **WARNING: You should always install a Presence Safety sensor when Enabling this feature**
  - ∞ This setting is to Enable or Disable the Power Close Assist feature
  - ∞ When Power Close in “ON”, should the door reach the Latch position and can not fully Close after 3 seconds, the motor will assist the spring in order to fully Close the door
    - ∞ This feature is used when the pressures on the door prevents the door from fully Closing
  - ∞ Use the “UP” and “DOWN” buttons to Enable or Disable this feature
- 8.17. Power Close Force (01-05)
- ∞ This setting will allow you to increase or decrease the amount of Closing Force needed to fully Close the door at the Latch position
    - ∞ This feature is used to counter act Stack or Wind pressures
  - ∞ **IMPORTANT: When using the Power Close Force feature, we strongly recommend to wire a Presence Safety sensor into the input “PC Cancel” on the control board terminal that Cancels out this feature when a pedestrian presence is detected. PC = Power Close**
  - ∞ Use the “UP” and “DOWN” buttons to select the desired Closing Force. Use the **lowest** Force setting needed to ensure positive Latching in these conditions.
  - ∞ Check this setting is correctly adjusted
- 8.18. Door Seal (Yes/No) **Not An Active Function**
- 8.19. Special Function Normal (Access/Access→Activate)
- ∞ This setting is used for Access Control options, including Electric Strikes/Locking devices
  - ∞ This requires a Wet Input connection to open. A Wet Input will activate the Strike/Lock and open the door simultaneously
  - ∞ Use the “UP” and “DOWN” buttons to select from Normal, Access or Access→Activate
    - ∞ Normal = default setting
    - ∞ Access = Only the Strike/Lock will release and the exterior “ACT2” button turns on, so the pedestrian will need to perform a “Knowing Act” for the door to Open
    - ∞ Access→Activate = Door and Strike/Lock activated simultaneously with a validated credentialed
- 8.20. In1 Wet Input (Normally Opened / Normally Closed)
- ∞ This feature is used with the “Special Function” feature above for external Access Control options that are either Normally Open or Normally Closed (NO/NC) using the WET-IN1 input terminal on the board
    - ∞ Typical Access Control devices are: Key Pads, Card Readers, Proximity Cards, etc.
    - ∞ Use the “UP” and “Down” buttons to select the NO/NC circuit required by the Access Control device
    - ∞ Normally Open = Access Control device will send 12/24vdc power to the control unit
    - ∞ Normally Closed = Access Control device takes the 12/24vdc power away from the control unit
- 8.21. This Door Overlaps (Yes/No)
- ∞ This is used for a Double door operator application when there is a door overlap
  - ∞ This setting will Enable or Disable the Double swing door Co-ordinate feature
  - ∞ Use the “UP” and “DOWN” buttons to Enable or Disable this feature
- 8.22. Factory Reset (Yes/No)
- ∞ This setting will Restore the control unit to its original Factory settings, all current settings will be lost
  - ∞ To reset the control to the original settings, push the “UP” button, then push “ENTER” button to confirm
  - ∞ You will need to reprogram all features and settings of the control unit

## 8600 Series Installation Instruction

---

- 8.23. Display Light On Time (01-30 minutes)
- ∞ This feature sets the length of time in minutes the LED display will remain on after the last button has been pushed on the control unit
- 8.24. Operator Type (Low Energy/Full Automatic)
- ∞ This setting is used to select which type of Operator functionality you want for this application
  - ∞ **WARNING: The “Full Automatic” mode can NOT be selected unless all requirements of this installation complies with the ANSI/BHMA A156.10 Standard for Power Operated Pedestrian Doors including, but not limited to, Safety Sensors and Guardrails**
  - ∞ Use the “UP” and “DOWN” buttons to select
- 8.25. Safety 2 Inhibit at (30%-98%)
- ∞ Safety2 will be deactivated at the point where the Safety sensor would pick up a wall or fixed object adjacent to the door
  - ∞ This setting will inhibit the Safety Sensor (back side of the door) in order to allow the door to fully open
- 8.26. Out 1 Function (Door Closed/Stairway Fan Out)
- ∞ Door Closed = sends a signal when the door is Closed
  - ∞ Stairway Fan Out = sends a signal when the door is Open
  - ∞ Use the “UP” and “DOWN” buttons to select the setting
- 8.27. Pull Before Open (Yes/No)
- ∞ This setting will Pull/Push the door closed for a fraction of a second before the activation to open the electric strike
  - ∞ Give a clear Opening once the Strike/Lock has been released
  - ∞ **Caution: set the electric Lock Delay to a minimum of 0.2 seconds**
- 8.28. Reverse on Obstruction (Yes/No)
- ∞ This setting will Enable or Disable the Re-activation feature
  - ∞ If Enabled, a Re-activation is generated if the door encounters an obstruction for at least 2 seconds during the Closing cycle, between the Back-check and the Latch areas
  - ∞ Use the “UP” and “DOWN” buttons to Enable or Disable this feature
- 8.29. Power Shut (Yes/No)
- ∞ **WARNING: You should always install a Presence Safety sensor when Enabling this feature**
  - ∞ This setting is to Enable or Disable the Power Shut feature
  - ∞ When Power Shut is “ON”, the motor will assist the spring driving the door during the Closing cycle from the 90° Open position to the fully Closed position
    - ∞ This feature is used when the application is exposed to constant high winds conditions that prevents the door from Closing properly and smoothly
  - ∞ Use the “UP” and “DOWN” buttons to Enable or Disable this feature
- 8.30. Power Shut Force (01-05)
- ∞ This setting will allow you to increase or decrease the amount of Closing Force needed to fully Close the door from the 90° position to fully Closed position
    - ∞ This feature is used to counter act High Wind conditions
  - ∞ **IMPORTANT: When using the Power Shut Force feature, we strongly recommend to wire a Presence Safety sensor into the input “PC Cancel” on the control board terminal that Cancels out this feature when a pedestrian presence is detected. PC = Power Close**
  - ∞ Use the “UP” and “DOWN” buttons to select the desired Closing Force. Use the **lowest** Force setting needed to ensure positive Latching in these conditions.
  - ∞ Check this setting is correctly adjusted

# 8600 Series Installation Instruction

---



- 8.31. Software Version MSW01 vX.XX
  - ∞ This menu will display the Software version in the Control unit where X equals a numeric value
  - ∞ The month and year of the Control manufacturing date will be displayed

**LEAVE THE BALANCE OF THIS PAGE BLANK FOR FUTURE USE**

# 8600 Series Installation Instruction



## Basic Settings Table describing the Controls Functions, Settings, Values and Defaults

**All values & settings must comply with ANSI/BHMA A156.19 Standard  
for Power Assist and Low Energy Power Operated Swing Doors**

No.	FUNCTION DESCRIPTION	SETTING	VALUE	DEFAULT
1	OPENING SPEED Door opening speed from full closed to back check position	5 to 20	5sec = slowest 20sec = fastest	10
2	BACK CHECK SPEED Door speed at final section of opening	1 to 5	1sec = slowest 5sec = fastest	3
3	SAFETY SPEED Slow speed (crawl) or stop (hold) when safety1 is active	2 steps	HOLD / CRAWL	HOLD
4	CLOSING SPEED Door closing speed from full open to latch position	1 to 15	1sec = slowest 15sec = fastest	5
5	LATCH SPEED Door speed at final section of closing	1 to 5	1sec = slowest 5sec = fastest	1
6	CURRENT LIMIT Obstruction detection	1 to 20	1sec = more sensitive 20sec = less sensitive	10
7	ACTIVATION TIME Time begins at activation signal ON.	1 to 60	1sec = minimum 60sec = maximum	5
8	HOLD ON MANUAL OPEN Door held open when pushed by hand. Not active with push & go.	2 options	a = No b = 5 steps (1-5 sec)	No
9	ELECTRONIC DOOR STOP Setting stop position by encoder	2 options	Y = Yes N = No	Yes
10	E-LOCK Strike or Electromagnetic Lock	2 options	Y = Yes N = No	No
11	E-LOCK DELAY Time before E-Lock will release	18 steps: 0.2 sec to 2.0 sec	0.2 sec = minimum 2.0 sec = maximum	1.0
12	LATCH POSITION Position at which final section of closing begins	15 steps: 2% to 30%	2% = minimum 30% = maximum	10
13	BACK CHECK POSITION Position at which final section of opening begins	15 steps: 70% - 98%	70% = maximum 98% = minimum	80
14	PUSH & GO	2 options	Y = Yes N = No	No
15	PUSH & GO ACTIVE TIME Time door is pushed open before activation	30 steps	1sec = minimum 30sec = maximum	3

# 8600 Series Installation Instruction



No.	FUNCTION DESCRIPTION	SETTING	VALUE	DEFAULT
16	POWER CLOSE Power assisted closing with spring	2 options	Y=Yes N = No	No
17	POWER CLOSE FORCE	1-5 steps	1 = minimum 5 = maximum	1
18	DOOR SEAL	NOT ACTIVE	N/A	N/A
19	SPECIAL FUNCTION Access Control WET Input from Strike/Lock	2 options	Access – Activated OFF Access – Activated ON	Normal
20	IN1 WET INPUT	2 options	NC = Normally Closed NO = Normally Open	NO
21	OVERLAP	2 options	Y=Yes N = No	No
22	FACTORY RESET	2 options	Y=Yes N = No	No
23	LIGHT ON TIME Time backlight remains on	30 steps	1sec = minimum 30sec = maximum	1
24	OPERATOR TYPE	2 options	FA = Fully Automatic HA = Low Energy	Low Energy
25	SAFETY 2 INHIBIT	2 options	No = Off Yes = On Yes = 34 steps	No
26	OUT1 FUNCTION	2 options	Door Closed – Door Closed Signal Stairway Fan Out – Door Open Signal	Door Closed
27	PULL BEFORE OPEN	2 options	Yes / No	No
28	REVERSE ON OBSTRUCTION	2 options	Yes/No	Yes
29	POWER SHUT	2 options	Yes/No	No
30	POWER SHUT FORCE	1-5 steps	1 = minimum 5 = maximum	2
31	SOFTWARE VERSION X.XX	NA	Mfg. Date = Month and Year	NA

# 8600 Series Installation Instruction

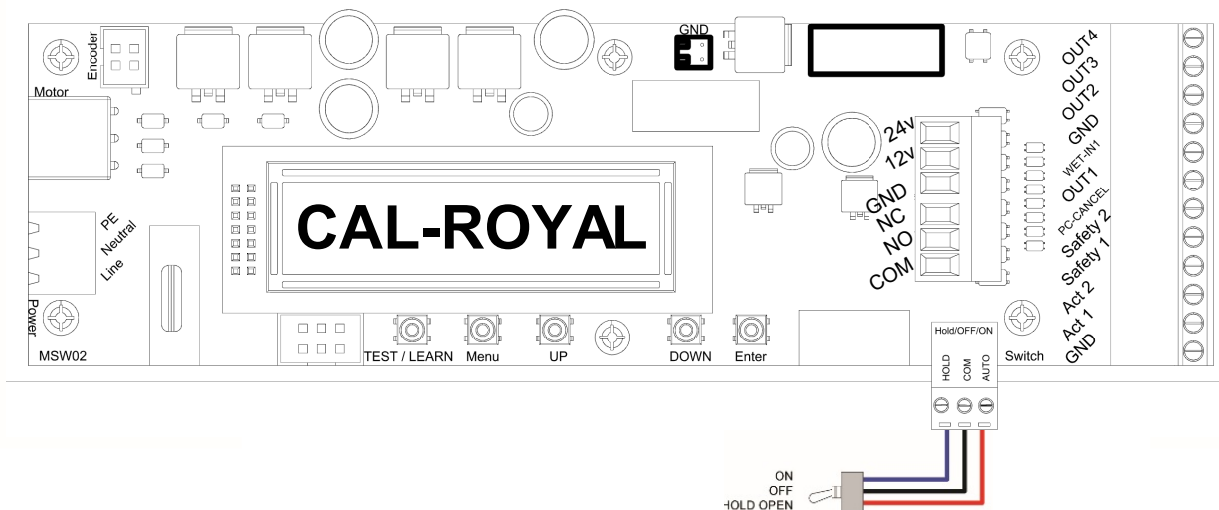


## Section # 9.0 - Wiring Connections

### 9.1 On/Off/Hold Open Selector Switch

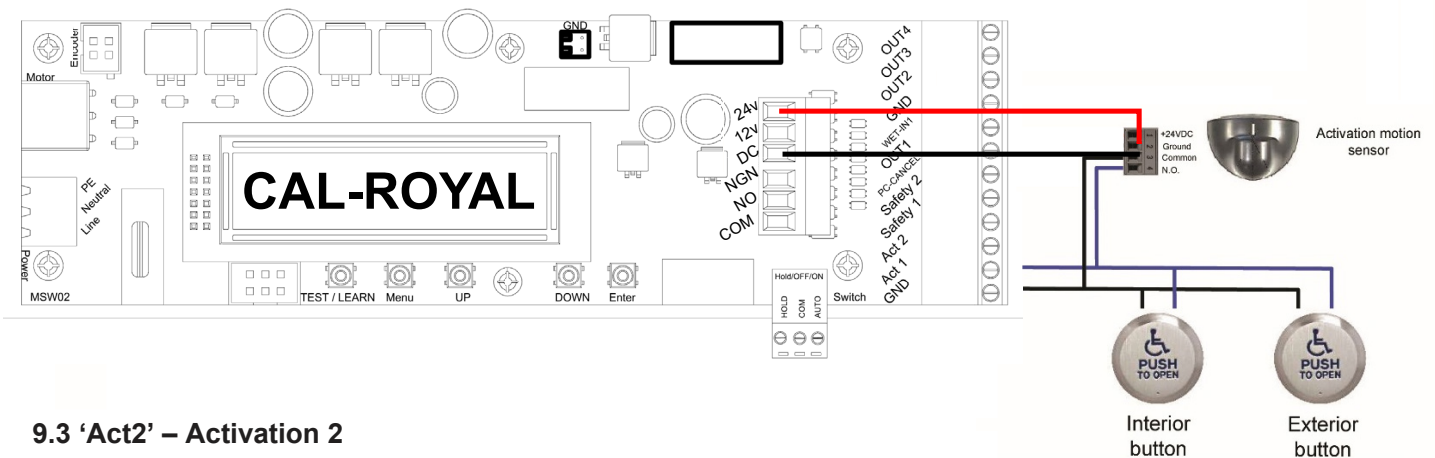
3 position switch offers easy selection for 3 modes of operation:

1. **Automatic** – Motion sensors / push plates are active and will activate the operator to open the door automatically should they be triggered.
2. **Off/Manual** The door is free to open by hand and will fully close with spring power. This function does not switch off the power, however motion sensors / push plates are still active but are ignored.
3. **Hold Open** – The operator will hold the door, in the fully open position for an unlimited amount of time. The motor will not overhead or fail causing the door to close.



### 9.2 'Act1' – Activation 1

Connected to activation switch such as motion sensor or push plate. When activated this signal always opens the door.



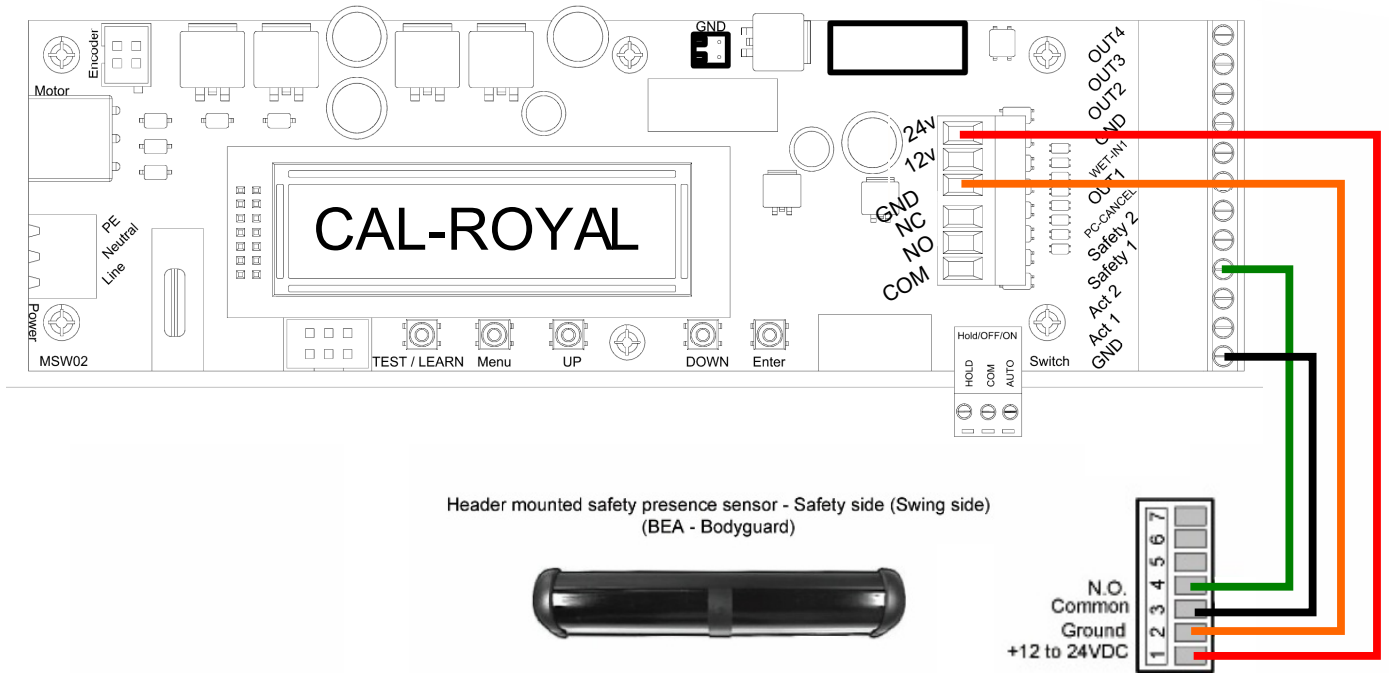
### 9.3 'Act2' – Activation 2

Connected to activation switch such as motion sensor or push plate. Only active after Act1 is triggered. Or when the door is closing and before reaching the latch position.

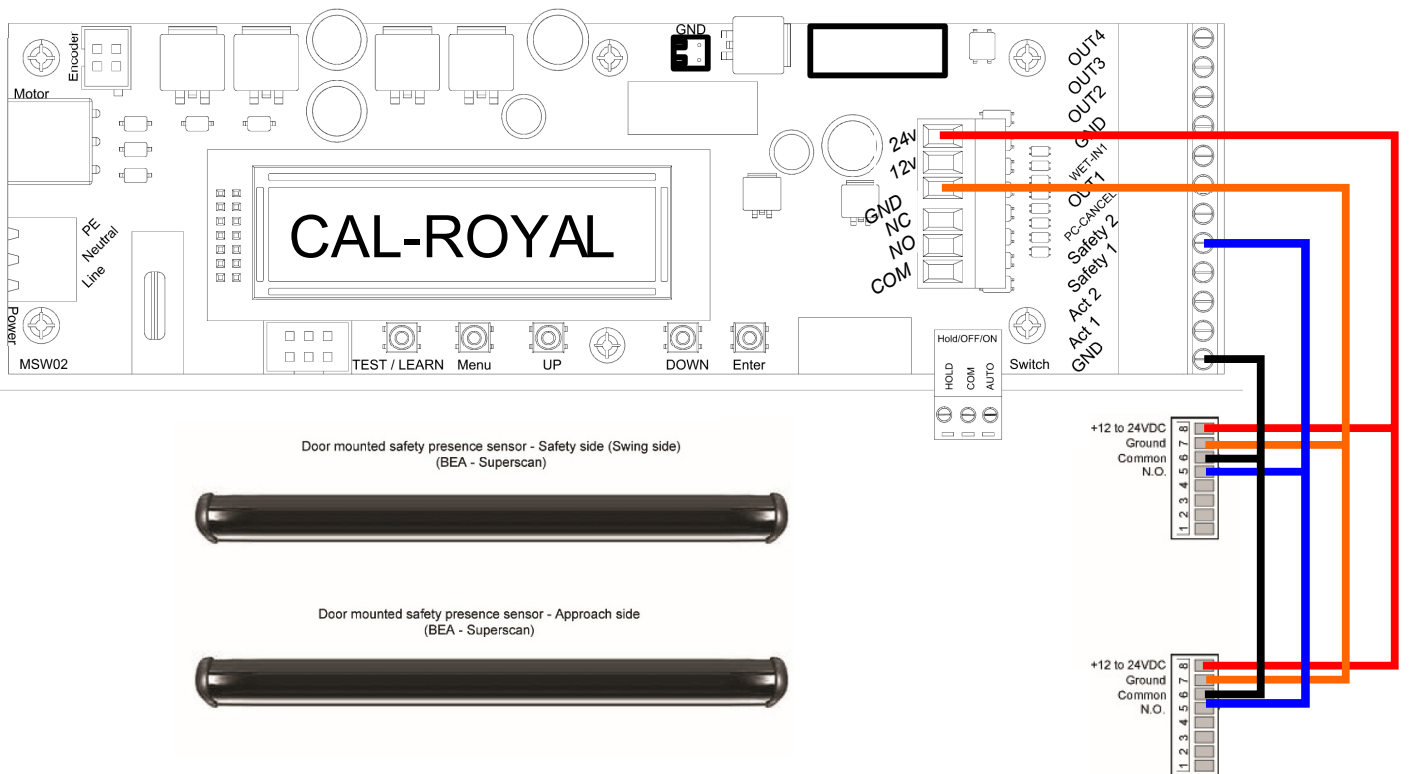
# 8600 Series Installation Instruction



## 9.4 Safety 1



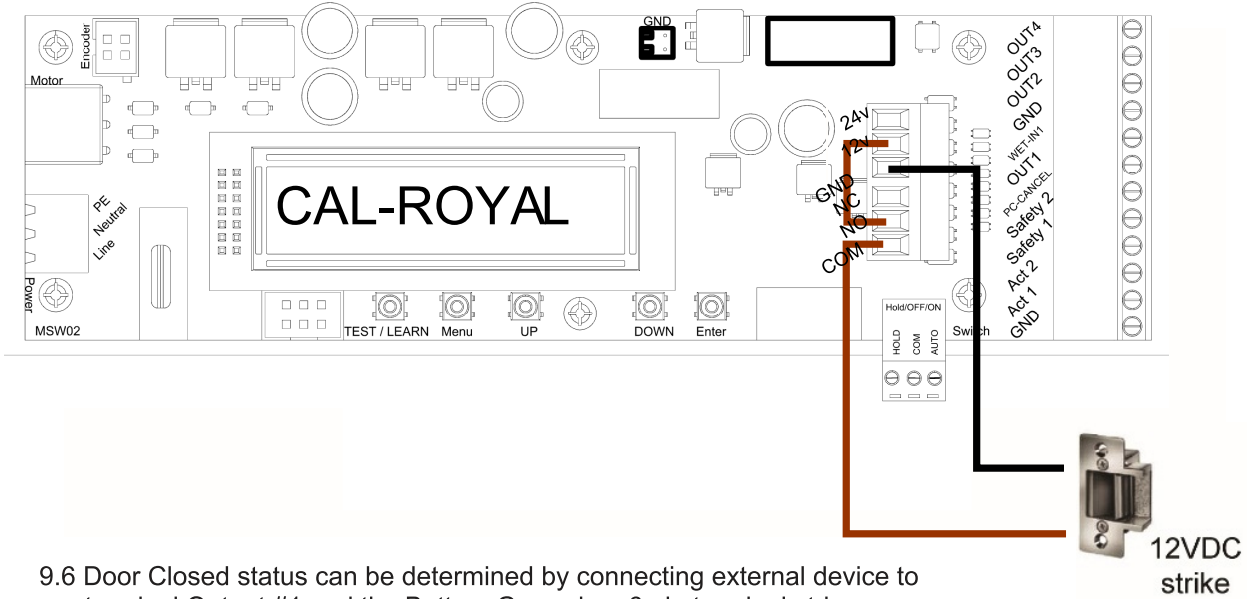
## 9.4 Safety2



# 8600 Series Installation Instruction



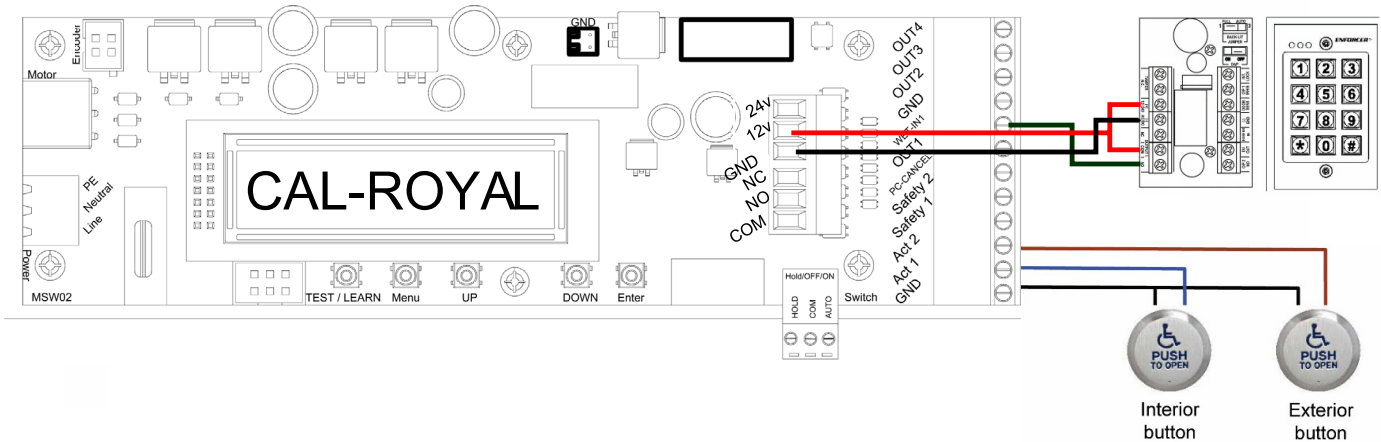
## 9.5 Electric Strike



9.6 Door Closed status can be determined by connecting external device to terminal Output #1 and the Bottom Ground on 6 pin terminal strip

## 9.7. Security Access Control

- If a fault is detected in the safety circuit, all activations will be ignored by the control unit.



## 9.8. Electromagnetic Lock



# 8600 Series Installation Instruction

---



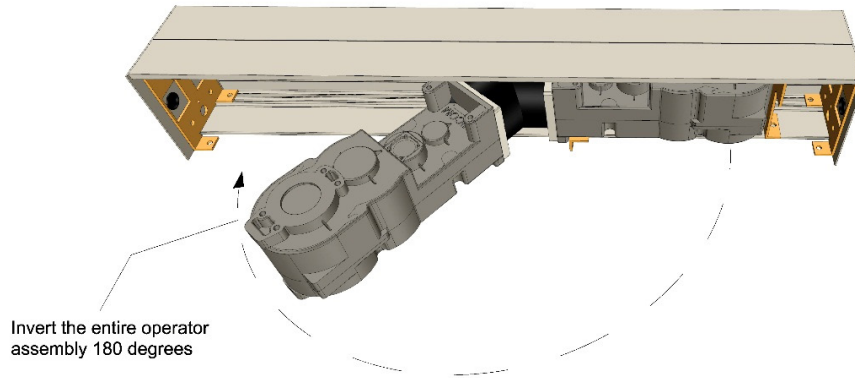
**THIS PAGE LEFT INTENTIONALLY BLANK**

# 8600 Series Installation Instruction

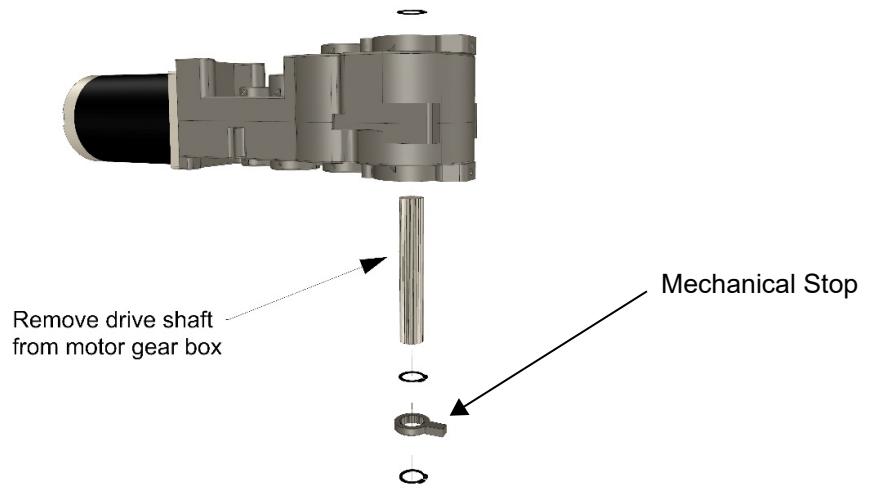


## Section # 10.0 - Changing Handing of Operator

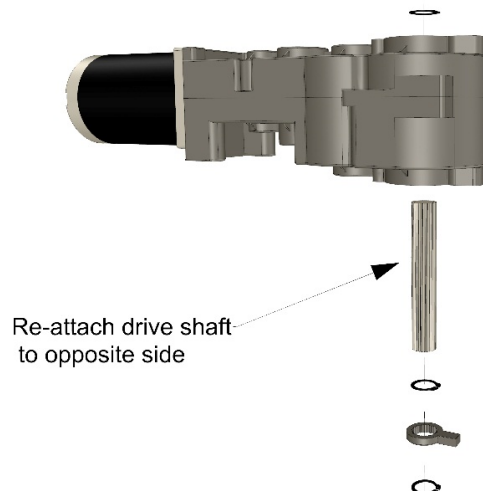
**Step 1 .** Invert the entire operator assembly 180 degrees



**Step 2 .** Remove drive shaft (spindle) from motor gear box assembly (See changing position of drive shaft)



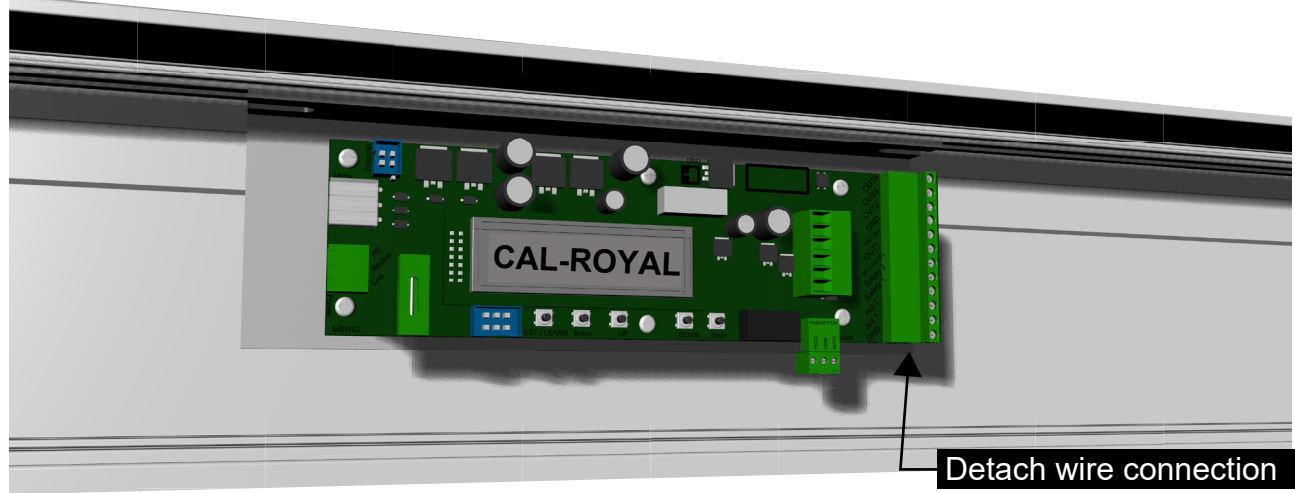
**Step 3 .** Re-attach drive shaft (spindle) to opposite side of motor gearbox assembly



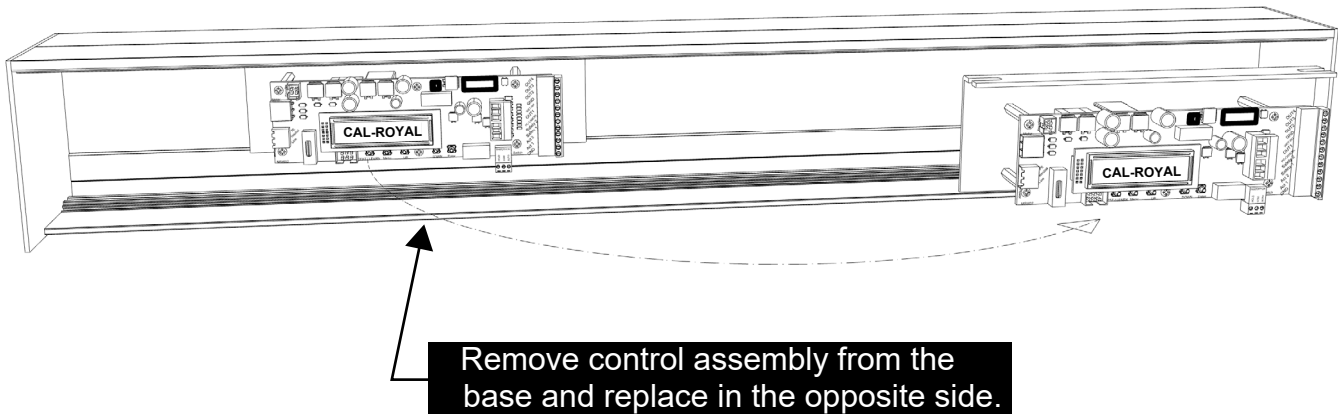
# 8600 Series Installation Instruction



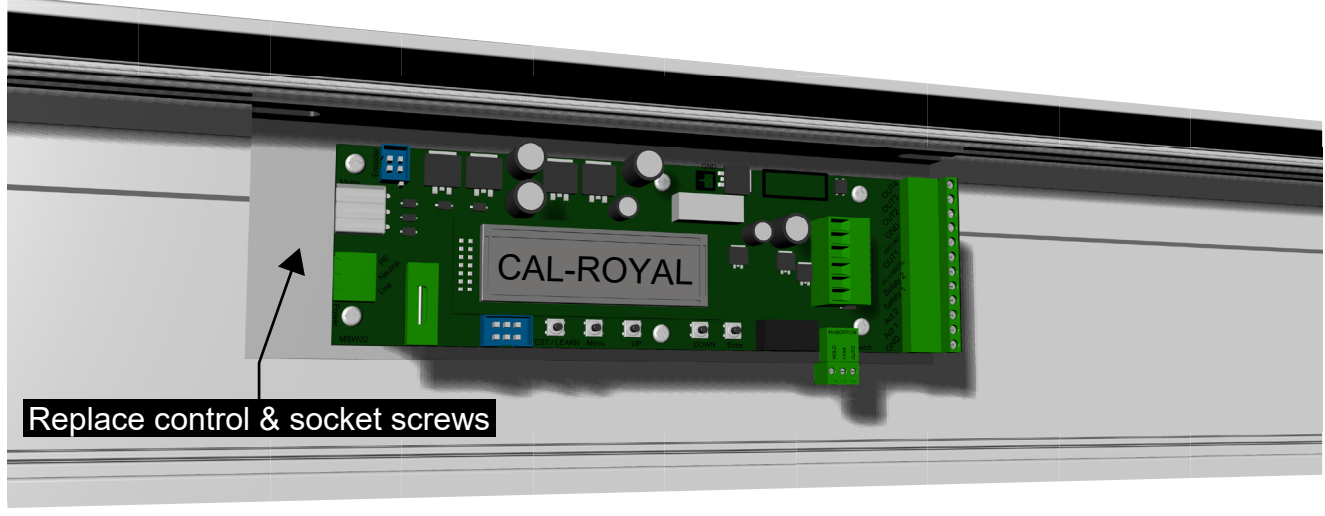
**Step 4.** Detach wire connections from operator to control board



**Step 5.** Remove control assembly from the base and rotate 180 degrees



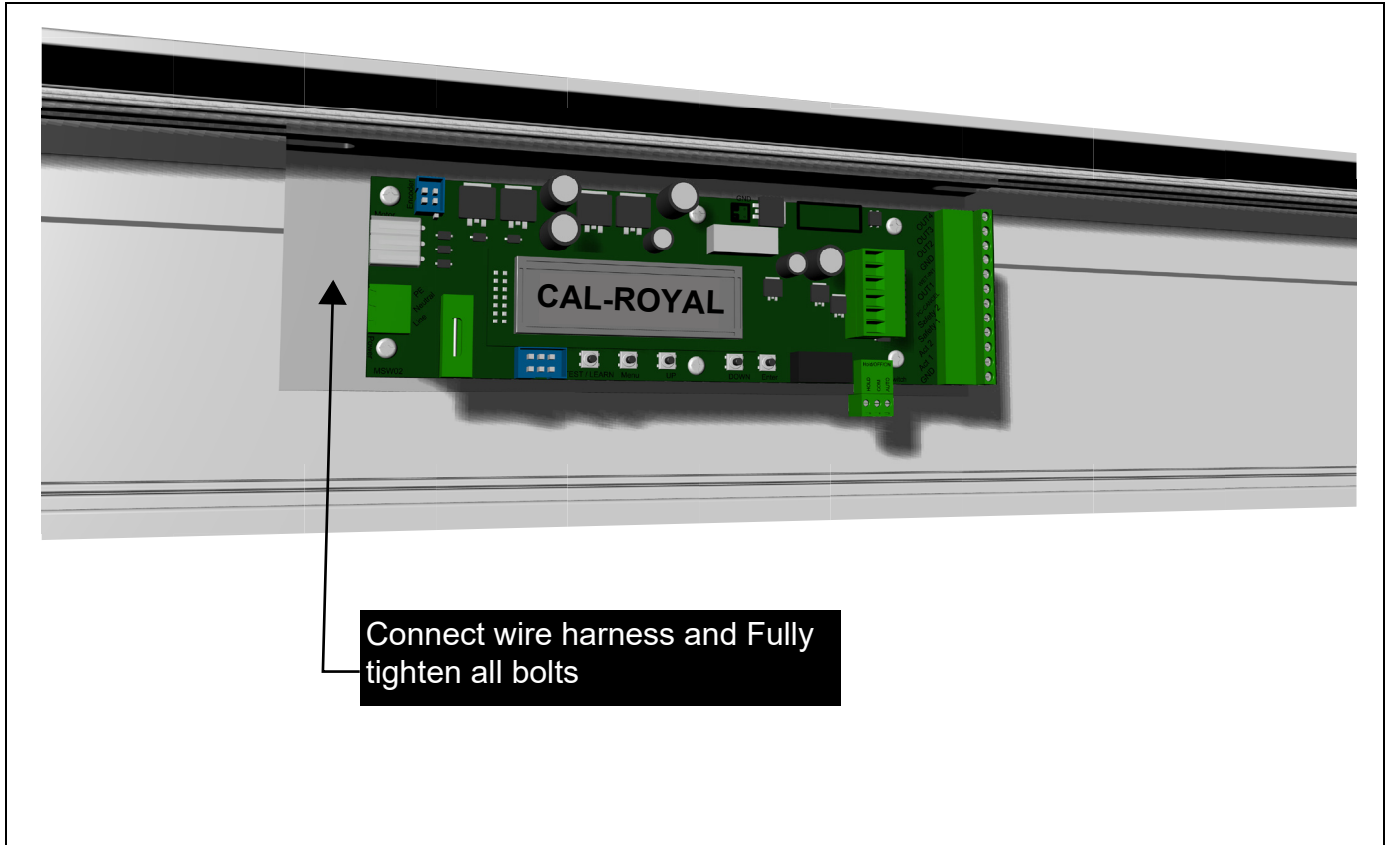
**Step 6.** Replace control and socket screws



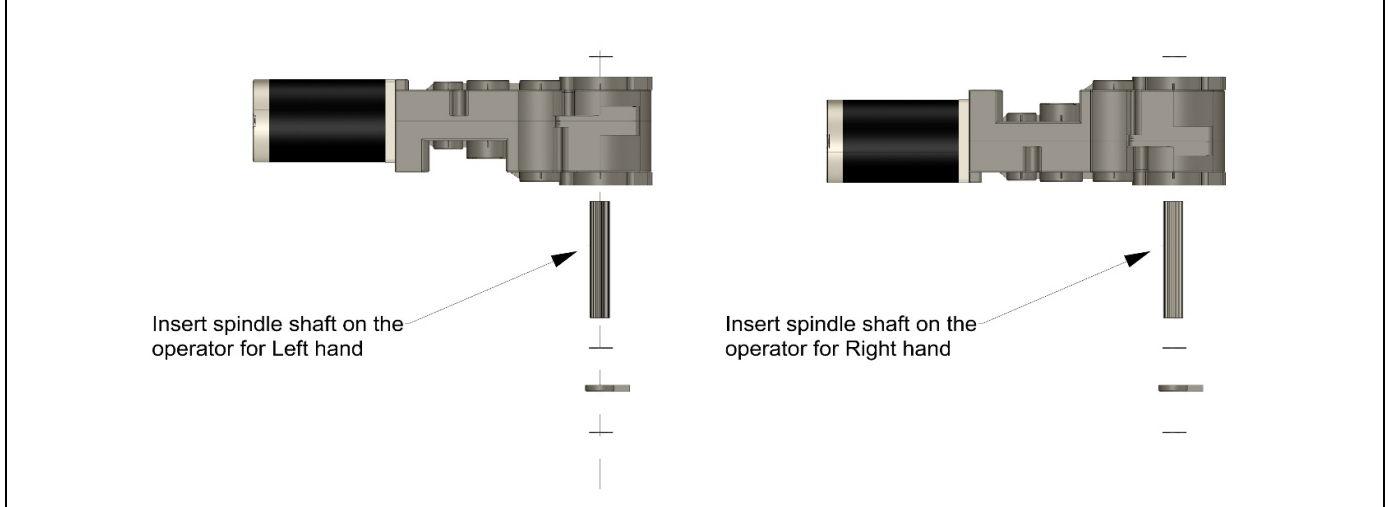
# 8600 Series Installation Instruction



## Step 7. Connect wire harness



## Step 8. Insert spline shaft on the operator (depended on push or pull application and spindle rotation)



# 8600 Series Installation Instruction

---



**THIS PAGE LEFT INTENTIONALLY BLANK**

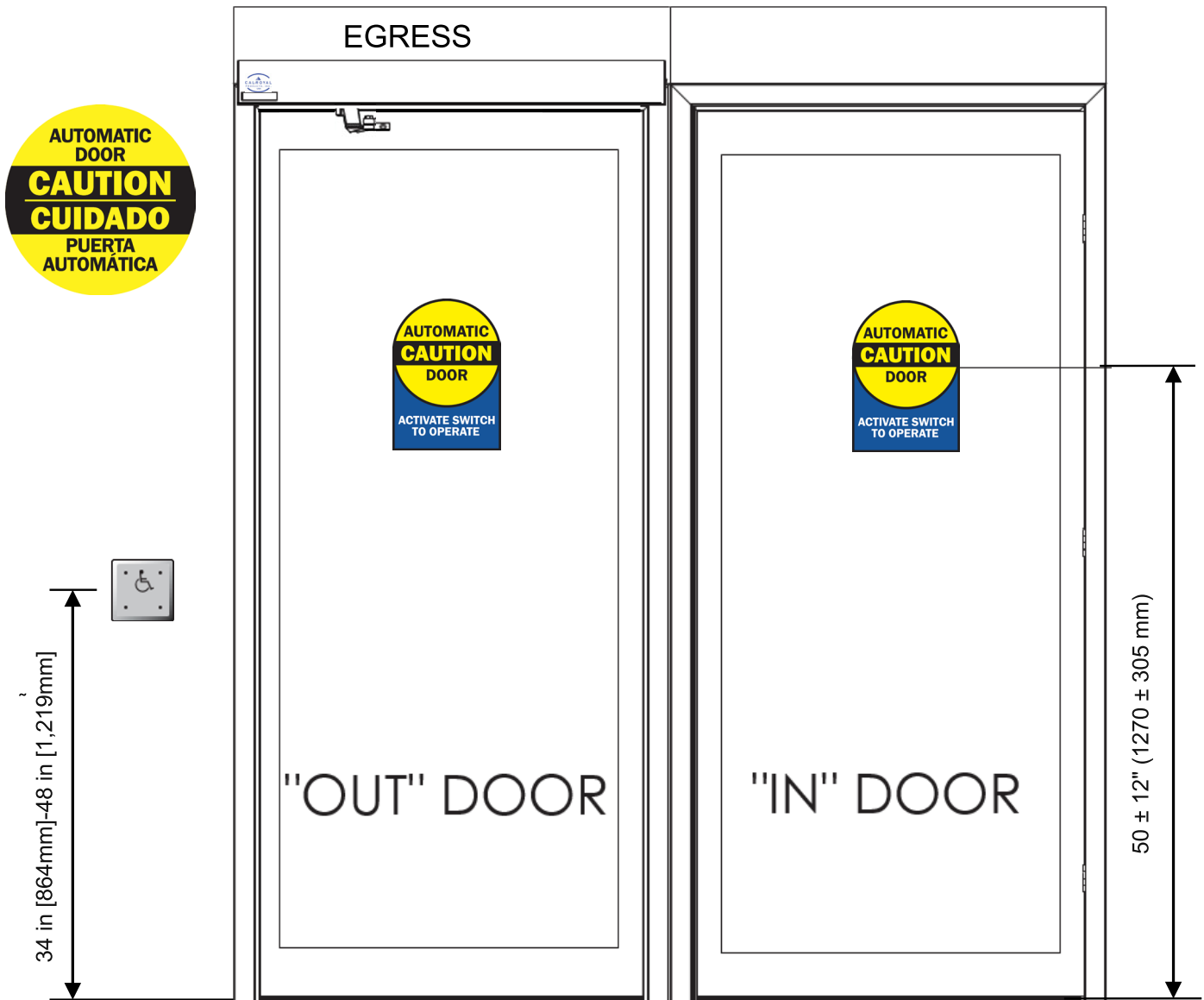
## Section # 11.0 - Safety Signage + Decals

The center of the sticker height should be located at  $50 \pm 12"$  ( $1270 \pm 305$  mm), above the finished floor.

See ANSI standard A156.19 requirements for additional safety decal information.

The center of the push plate height should be between  $34"$  [ $864$  mm] and  $48"$  [ $1\ 219$  mm], above the finished floor.

### LOW ENERGY STICKERS (ON BOTH INGRESS & EGRESS SIDES)

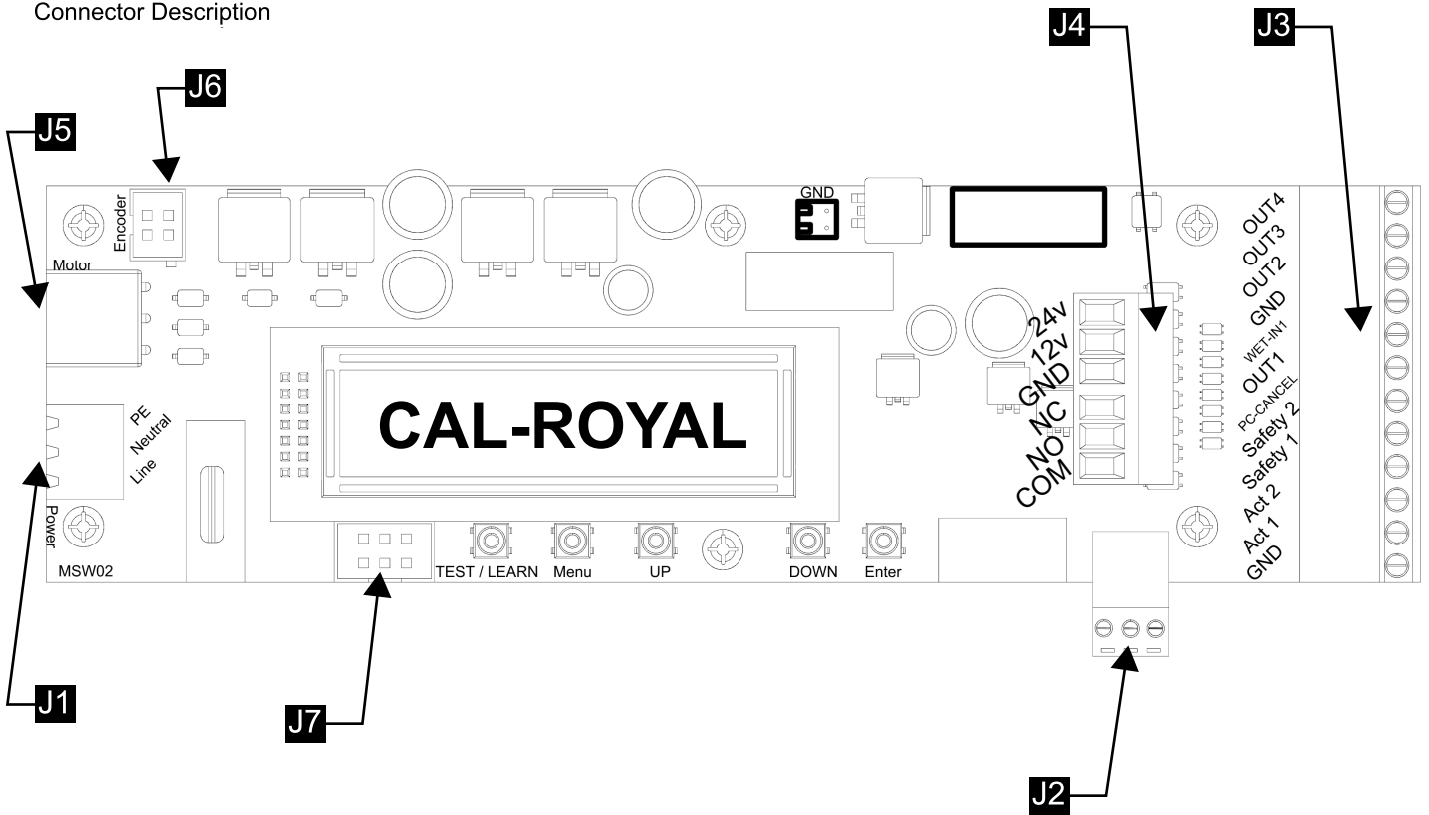


# 8600 Series Installation Instruction



## Section # 12.0 - Trouble Shooting

### Connector Description



### J1 - Connector Description: Power input 120-240VAC (100W max.)

PIN	Definition
J1.1	AC Ground
J1.2	AC Neutral
J1.3	AC Line (Fused)

### J2 - Connector Description: Hold open/OFF/Auto switch input

PIN	Definition
J2.1	Auto signal - This signal (to GND) will allow activation
J2.2	GND – Ground reference for signal and power
J2.3	Hold Open – This signal (to GND) will active the operator to hold the door open.

# 8600 Series Installation Instruction



## J3 - Connector Description:

PIN	Signal	Definition
J3.1	GND	Ground reference for signal and power
J3.2	ACTIVATION 1	(Input) This signal (to COM) will activate the operator. If 'AUTO' signal (J2.3) is to COM and no current fault is present.
J3.3	ACTIVATION 2	(Input) This signal (to COM) will activate the operator. (If 'AUTO' signal (J2.3) is to COM with no current fault present and door is not fully closed.
J3.4	SAFETY 1	(Input) When the door is fully closed, this signal (to COM) will prevent an activation. When the door is fully opened, this signal (to COM) will prevent the door from entering the closing cycle.
J3.5	SAFETY2	(Input) When the door is fully closed, this signal (to COM) will prevent and activation. When safety signal clears, pending activation will activate the operator. During the opening cycle, the door will go to safety (Hold) speed. (When the signal is to COM) When the door is fully opened, this signal (to COM) will prevent the door from entering the closing cycle.
J3.6	PC CANCEL	(Input) This signal (to COM) will prevent or cancel power close
J3.7	DOOR CLOSED	(Output) This signal is tied to COM when door is fully closed. Door must be set up (Learning Completed)
J3.8	IN1	(input) Not used
J3.9	GND	Ground reference for signals and power
J3.10	OUT1	(Output) Not used
J3.11	OUT2	(Output) Not used
J3.12	OUT3	(Output) Not used

## J4 - Connector Description: Sensor power and electric lock outputs

PIN	Definition
J4.1	(Output) +24VDC (1200Ma Max)
J4.2	(Output) +12VDC (600Ma Max)
J4.3	(GND) Ground reference for signals and power
J4.4	(Output) Electric lock relay N.C. (Normally Closed)
J4.5	(Output) Electric lock relay N.O. (Normally Open)
J4.6	(COM) Electric lock relay common

## J5 - Connector Description: Motor output (Isolated from power input)

PIN	Definition
J5.1	Motor Positive
J5.2	Motor Negative
J5.3	AC Ground



# 8600 Series Installation Instruction



## J6 - Connector Description: Motor encoder

PIN	Definition
J6.1	(Output) +5V DC
J6.2	(Input) Encoder Signal B
J6.3	(Input) Encoder Signal A
J6.4	COM (Ground)

## J7 - Connector Description: ISP/SYNC/Communication

PIN	Definition
J7.1	(Output) PDO
J7.2	(Output) +5V DC
J7.3	(Output) SCK
J7.4	(Input) PDI
J7.5	(Input / (Output) RST
J7.6	COM (Ground)

# 8600 Series Installation Instruction



## Section # 13.0 - DAILY SAFETY CHECK LIST

The best time to perform a Daily Safety Check is early in the morning while pedestrian traffic is still restricted from Sensor activating zones. The purpose of a Daily Sensor Check is to ensure pedestrian safety and Owner protection.

**CAUTION** If the Swing Door will not be used for at least (1) month, it is recommended to turn Power OFF to the Unit.

**CAUTION** In order to guarantee reliability of the installation, any components showing signs of wear must be replaced as a preventive measure.

**CAUTION** If a Sensor is not working, the door may swing toward you without stopping.

**Attention:** In the event any type of object needs to be removed from a Sensor Safety Zone (vicinity), the Sensor must “relearn” the zone before resuming normal operation. Relearn may take a minute or Two.

1. Ensure the Power Breaker is switched ON. Do not switch Power Breaker ON and OFF too quickly.
2. Ensure the (On/Off/Hold Open) Rocker switch is set to “ON”.
3. Activate the Swing Door.

Door should open at a slow smooth pace (4 or more seconds), and stop without impact.

- Door must remain fully open for a minimum of (5 seconds) before beginning to close.
  - Door should close at a slow, smooth pace (4 or more seconds), and stop without impact.
4. Inspect the floor area. It should be clean with no loose parts that might cause user to trip or fall. Keep traffic path clear.
  5. Inspect door’s overall condition. The appropriate signage should be present and hardware should be in good condition.
  6. Remove anything that does not belong in the path of the Swing door. There should be no bulletin boards, literature racks, merchandise displays, or other attractions in the door area that would interfere with use of the door or invite people to stop or stand in the door area.
  7. Ensure the Header Cover, and all other hardware is properly secured.
  8. Check for damaged or missing Weathering.
  9. If Equipped: Test Emergency Break Out. In Break Out mode, the door must not activate. Call your supplier for details.
  10. Have the Low Energy automatic door system inspected at least annually by an AAADM certified inspector.

**\*\* always follow the safety sensor device manufacturer's detailed installation, commissioning and testing instructions \*\***

### SAFETY INFORMATION Low Energy Swinging Doors

These minimum safety checks, in addition to those in the Owner's Manual, should be made each day and after any loss of electrical power.

1. Activate the door. Door should open at a slow smooth pace (4 or more seconds), and stop without impact
2. Door must remain fully open for a minimum of 5 seconds before beginning to close.
3. Door should close at a slow, smooth pace (4 or more seconds), and stop without impact.
4. Inspect the floor area. It should be clean with no loose parts that might cause user to trip or fall. Keep traffic path clear.
5. Inspect door's overall condition. The appropriate signage should be present and the hardware should be in good condition.
6. Have door inspected by an AAADM certified inspector at least annually.

**DO NOT USE DOOR** if it fails any of these safety checks or if it malfunctions in any way. Call a qualified automatic door service company to have door repaired or serviced.

See Owner's Manual or instructions for details on each of these and other safety items. If you need a copy of the manual, contact the manufacturer.

AAADM-3044

**AAADM**  
American Association of Automatic  
Door Manufacturers



PLACE COMPLETED ANNUAL  
COMPLIANCE INSPECTION  
LABEL HERE

## Section # 14.0 - Additional Information

### Floor Space Requirements for Wheel Chair Maneuvering

- The owner may request the activation device location; however, the press switch must be in view of the door and not directly on the door or Fram. Please refer to ANSI 117.1 Safety Code for further guidelines on switch requirements.
- Activation switches shall be at minimum height of 34" and maximum height of 48" from finished floors.
- Individual who uses wheelchair need a minimum of 48" clearance to the door swing for doors in series.

### External and Internal

#### Factors Door Condition

- Door must move easily open and close (latch) without excessive force; weather stripping and threshold must not interfere with door movement.

#### Reveal

- For out swing (Push) doors, the reveal must be within the range of 0" to 14". For in swing (Pull) doors, 0" to 4" for special reveals is allowed - for all others consult factory.

#### Wind

- When installing on a door in a strong wind condition area, special adjustments should be made to the arm and doorstop position, to increase the tension spring consult factory.

#### Power/Control Wires

- Check that the electrical feed, all conduits, and electrical junction boxes (for push plates or other activation devices, if required) are correctly located in accordance with final approved shop drawings and within the guidelines of the enforced local electrical codes.

#### Electronic equipment reception interference

The equipment complies with the European EMC directive (US market FCC Part 15) provided installed according to installation and service manual.

The equipment may generate and use radio frequency energy and if not installed and used properly, it may cause interference to radio, television reception or other radio frequency type systems.

if other equipment does not fully comply with immunity requirements interference may occur. However, there's no guarantee that interference will not occur in a particular installation. If this equipment does cause interference to radio or television reception which can be determined by turning the equipment off and on, the user is encouraged to try to correct the interference by one or more of the following measures.

Re-orient the receiving antenna

Relocate the receiver with respect to the equipment

Move the receiver away from the equipment

Plug the receiver into a different outlet so that equipment and receiver are on different branch circuits

Check that protective earth (PE) is connected

If necessary, the user should consult the dealer or an experienced electronic technician for additional suggestions.

**CAL-ROYAL products** are equipped with electronics and may also be equipped with batteries containing materials which are hazardous to the environment. Remove this material from the operator before it is scrapped and make sure that it is disposed of properly as was done with the packaging.

This manual contains the necessary details and interactions for the installation, maintenance and service of the swing door operator 8600.

# 8600 Series Installation Instruction

---



**THIS PAGE LEFT INTENTIONALLY BLANK**