

Alarm Exit Hardware

GRADE 1 Rim Type Exit Device



Rim Type Exit Devices

NALRMA9800EO36 Alarm Rim Type 36" Door (Panic Grade)

NALRMA9820EO48 Alarm Rim Type 48" Door (Panic Grade)

FNALRMA980036 Alarm Rim Type 36" Door (Fire Grade)

FNALRMA982048 Alarm Rim Type 48" Door (Fire Grade)

Vertical Rod Type Exit Devices

Prefix "NALRM" before MODEL #

Features

- 1, 3, 5-minute and continuous alarm type settings available
- ON and OFF power switch
- Alarm sound frequency is 120 db
- Alarm unit has an internal horn. When the push rail is depressed, the horn sounds to provide an audible means of signaling that the door has been opened and breached
- The key switch to turn alarm off is a standard 1 1/4" cylinder with "C" keyway. The alarm operates on one standard 9-volt transistor battery. When battery is weak the horn will emit an intermittent signal.
- Alarmed units are supplied with a micro switch, which monitors the push rail and the latch bolt for foolproof security on rim devices
- Alarm unit has a signal OC output that can be linked to external alarm control systems
- Easy removal of the alarm unit without the need to dismount the exit device for battery maintenance
- Unit includes "**EMERGENCY EXIT ONLY ALARM WILL SOUND**" decal for application on door or unit

Finishes

Cal-Royal	Description	BHMA	US Finish	Material
P	Prime Coat	600	USP	Steel
3	Polished Brass, Clear Powder Coat	605	US3	Brass
4	Satin Brass, Clear Powder Coat	606	US4	Brass
9	Polished Bright Bronze	611	US9	Bronze
10	Satin Bronze, Clear Powder Coat	612	US10	Bronze
10B	Oil Rubbed Bronze	613	US10B	Bronze
26	Polished Bright Chrome	625	US26	Brass
26D	Satin Chrome	626	US26D	Brass
32	Polished Bright Stainless	628	US32	Stainless Steel
32D	Satin Stainless	630	US32D	Stainless Steel

Trim Selection

CLUTCH CYLINDRICAL LEVER



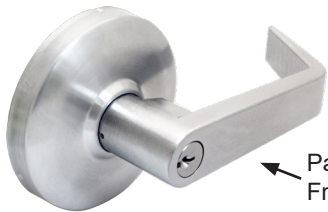
Non-Handed Grade 1 (Clutch Style)

Cylindrical body hardened steel heavy duty tailpiece. For 1 3/4" and 2 1/4" doors. Prefix "THI" before Part # for 2 1/4" door thickness.

Available for Fire and Non-Fire Rated **Rim, SVR, and 3-PT Type Exit Devices**. Rose diameter 3 1/2", lever length 4 3/4". Fits and covers 161 cutout.

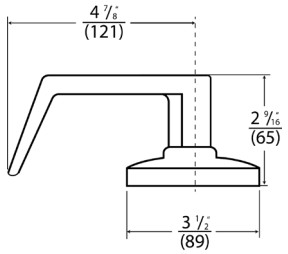
Finishes: US26D, US26, US3, US4, US10B, US10BE, US1

***GN DESIGN ONLY: ENT00L, ICENT00L, STR05L, ICSTR05L, PAS30L, DUM40L IN US32D FINISH, ALL STAINLESS STEEL EXTERIOR. INCLUDES GRADE 304SS LEVER AND ROSE**



GN DESIGN

Patented Clutch Freewheeling



- ENT00L or
- ICENT00L or
- ICSCENT00L4
- SARICENT00L (Sargent)
- RUSICENT00L (Corbin / Russwin)
- YALICENT00L (Yale)
- 8000K
- STR05L or
- ICSTR05L or
- ICSCSTR05L4
- SARICSTR05L (Sargent)
- RUSICSTR05L (Corbin / Russwin)
- YALICSTR05L (Yale)

PAS30L

DUM40L

- ENTRANCE**
Key locks and unlocks lever. Operates as CLASSROOM FUNCTION. ANSI Function (08)
- Ball Knob Keylock
- STOREROOM**
Key operates lever, otherwise always locked. ANSI Function (09)
- PASSAGE**
Trim always operable and free. ANSI Function (14)
- DUMMY**
Dummy trim. One sided ANSI Function (02)

KEYWAY: 6-Pin solid brass "C" keyway standard. Optional: Schlage E, Schlage C-K, Russwin D1-2-3-4, Corbin 59/60, Sargent LA-LB-LC, Falcon/Weiser E, Arrow A, Yale 8, Yale GA and Kwikset. Can also accept Medeco, Assa, Kaba and **Cal-Royal HSK** High Security Cylinders.

- (IC) **INTERCHANGEABLE CORE:** Interchangeable Core locks will accept compatible 6 or 7-Pin cores with **BEST, FALCON and ARROW**.
- (ICSC) **INTERCHANGEABLE CORE:** Indicates function available with **SCHLAGE, CORBIN/RUSSWIN, SARGENT and YALE Full Size Format** Interchangeable Core

KEYWAY	+	DESIGN	+	FUNCTION	+	FINISH
BEST, FALCON, & ARROW - SCHLAGE - CORBIN/RUSSWIN - SARGENT - YALE -		IC ICSC RUSIC SARIC YALIC		AT SPA TUB* AUG DAN LON TAC		ENT00L STR05L PAS30L DUM40L
HOW TO ORDER IN LFIC Example: ICSCENT00L4 US26D in "SPA" design is ICSCSPAENT00L4 US26D						

**Note: Yale LFIC is only available in GN, AT, SPA lever designs | TUB* is only available in SFIC.

Other Lever Trim Designs

- Available in SFIC & LFIC **AT**
- Available in SFIC & LFIC **SPA**
- Available in SFIC **TUB**
- Available in SFIC & LFIC **except YALE LFIC* **AUG**
- Available in SFIC & LFIC **except YALE LFIC* **DAN**
- Available in SFIC & LFIC **except YALE LFIC* **LON**
- Available in SFIC & LFIC **except YALE LFIC* **TAC**
- 8000K**

Anti-Microbial Coating available in US26D or US32D Only. Use part # "ANTB-TRIM" when ordering.

Trim Selection

HEAVY DUTY STAINLESS STEEL CLUTCH LEVER ESCUTCHEON (High Frequency Abusive Situation such as Schools, Hospitals, Industrial / Institutional)

CONSTRUCTION

- Clutch mechanism
- Double heavy duty spring support to prevent sagging and enhance operation
- Grade 1, thru-bolted design. Non-handed design.
- All Stainless Steel heavy duty tailpiece.
- Available for Fire and Non-Fire Rated **Rim, SVR, and 3-PT Type Exit Devices**
- Standard 6-Pin Schlage "C" Mortise Cylinder included

DOOR THICKNESS

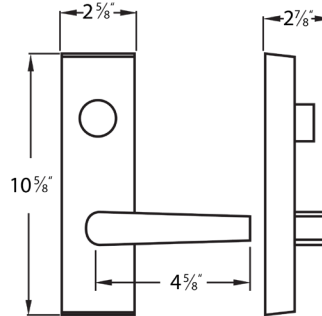
Standard 1 3/4" to 2".

For 2" or 2 1/2" thick door use additional Part # TAIL9

ESCUTCHEON DIMENSIONS

2 5/8" width x 10 5/8" length. Lever length: 4 5/8".

Fits and covers 2 1/8" 161 cutout



Lever Trim Designs



- HDESC-00 or
- ICHDESC-00
- ICCHDESC-00
- HDTSESC-00
- ICHDTSESC-00
- ICCHDTSESC-00

ENTRANCE
Clutch Entrance, key locks or unlocks escutcheon trim.
ANSI Function (08)
Operates as classroom function

- HDESC-05 or
- ICHDESC-05
- ICCHDESC-05
- HDTSESC-05
- ICHDTSESC-05
- ICCHDTSESC-05

STOREROOM
Clutch Storeroom, key unlocks lever, lever retracts latch bolt, otherwise always locked. ANSI Function (09)

- HDESC-30
- HDTSESC-30
- HDESC-40
- HDTSESC-40

PASSAGE
Trim always operable and free
ANSI Function (14)

DUMMY
Dummy Escutcheon trim
ANSI Function (02)

TO ORDER RL lever design, add "RL" after "HD" when ordering.
e.g. HDRLESC-00 for HDESC-00 with RL design.

KEYWAY: 6-Pin solid brass "C" keyway Mortise Cylinder standard. Optional: Schlage E, Schlage C-K, Russwin D1-2-3-4, Corbin 59/60, Sargent LA-LB-LC, Falcon/Weiser E, Arrow A, Yale 8, Yale GA and Kwikset. Can also accept Medeco, Assa, Kaba and **Cal-Royal HSK** High Security Cylinders.

• **(IC) INTERCHANGEABLE CORE:** Interchangeable Core locks will accept compatible 6 or 7-Pin cores with BEST, FALCON and ARROW

• **(ICSC) INTERCHANGEABLE CORE:** Indicates function available with **Schlage Full Size Format** Interchangeable Core. Corbin, Sargent and Yale format also available.

Anti-Microbial Coating available in US32D Only. Use part # **"ANTB-TRIM"** when ordering.

FOR ELECTRIFICATION OPTION: SPECIFY ITEM # UPON ORDERING
TO ORDER "RL" OR "TS" LEVER DESIGN, REPLACE "HD" WITH "RL" OR "TS".

ITEM#	DESCRIPTION
FS12HD	FAIL-SAFE (FS) OPTION 12V AC / DC
FS24HD	FAIL-SAFE (FS) OPTION 24V AC / DC
FSE12HD	FAIL-SECURE (FSE) OPTION 12V AC / DC
FSE24HD	FAIL-SECURE (FSE) OPTION 24V AC / DC

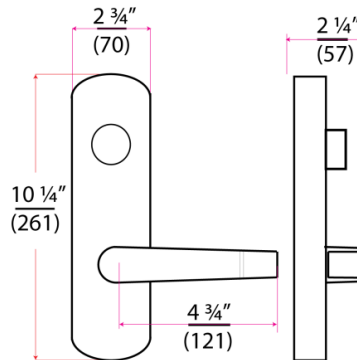
Trim Selection

RIGID LEVER ESCUTCHEON



CONSTRUCTION

- Rigid, non clutch mechanism.
- Double heavy duty spring support to prevent sagging and enhance operation.
- Grade 1, thru-bolted design. Non-handed design.
- Hardened steel heavy duty tailpiece.
- Available for Fire and Non Fire Rated **Rim, SVR, and 3-PT Type Exit Devices.**
- Standard 6-Pin Schlage "C" Mortise Cylinder included



DOOR THICKNESS

Standard 1 3/4". For 2 1/4" thick door use additional Part # TAIL3

ESCUTCHEON DIMENSIONS

2 3/4" width x 10 1/4" length. Lever length: 4 3/4". Fits and covers 2 1/8" 161 cutout.

Anti-Microbial Coating available in US26D Only. Use part # "ANTB-TRIM" when ordering.

- **NESC9800** or
- **ICNESC9800** or
- **ICSCNESC9800**

ENTRANCE

Rigid Entrance, key locks or unlocks escutcheon trim ANSI Function (08) Operates as classroom function

- **NESC9805** or
- **ICNESC9805** or
- **ICSCNESC9805**

STOREROOM

Rigid Storeroom, key unlocks lever, lever retracts latch bolt, otherwise always locked ANSI Function (09)

NESC9830

PASSAGE

Trim always operable and free ANSI Function (14)

NESC9840

DUMMY

Dummy Escutcheon trim ANSI Function (02)

TO ORDER other lever design insert "AT", "RL", "TUB", "LON", or "TAC" before "ESC": e.g. **ATESC9800** for NESC9800 with AT design.

KEYWAY: 6-Pin solid brass "C" keyway Mortise Cylinder standard. Optional: Schlage E, Schlage C-K, Russwin D1-2-3-4, Corbin 59/60, Sargent LA-LB-LC, Falcon/Weiser E, Arrow A, Yale 8, Yale GA and Kwikset. Can also accept Medeco, Assa, Kaba and **Cal-Royal HSK** High Security Cylinders.

FOR ELECTRIFIED TRIM OPTIONS SEE NEXT PAGE

- **(IC) INTERCHANGEABLE CORE:** Interchangeable Core locks will accept compatible 6 or 7-Pin cores with BEST, FALCON and ARROW.
- **(ICSC) INTERCHANGEABLE CORE:** Indicates function available with Schlage Full Size Format Interchangeable Core. Corbin, Sargent and Yale format also available.

Lever Trim Designs



Electrified Lever Trim



Cal-Royal's electrified lever trim provides remote locking and unlocking capabilities using industry safety standards. The solenoid can be energized from a distant controller, thus allowing access control of the opening. The control of stairwells in high-rise buildings is a common application for this trim, where electric pullback of the exit device's latch bolt is cost prohibitive or not required. This is especially practical in applications where fire/life safety codes require a "fail-safe" condition which is not an option with electrified latch pullback devices. Because the current draw is quite low there is no need for a more expensive power supply to provide the surge current.

Features

- Continuous duty solenoids used to insure trouble-free operation
- Internally mounted solenoid to ease installation (no special door prep required)
- No Hassle 3-year Warranty

Anti-Microbial Coating available in US26D Only. Use part # "ANTB-TRIM" when ordering.

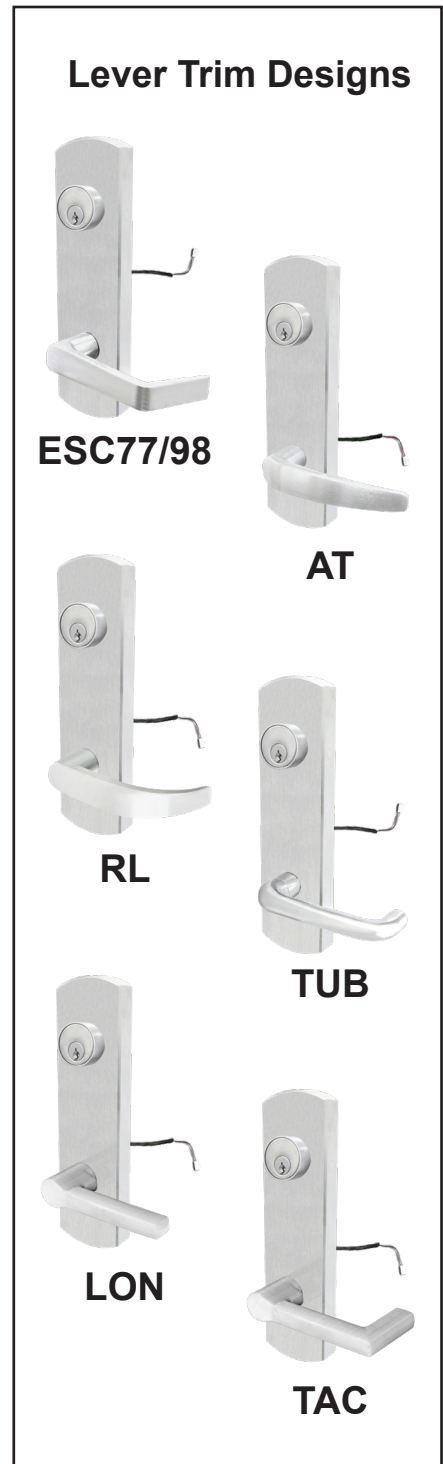
Specifications

Solenoid..... Continuous Duty
 Operating Voltage.... Dual 12-24V AC / DC ± 10%
 Amperage..... 250mA @ 12V or 150mA @ 24V
 Coil Resistance..... 12V = 49Ω or 24V = 159Ω
 Function..... available Fail Safe, Electrically Locked (EL) or Fail Secure, Electrically Unlocked (EU)

ITEM#	DESCRIPTION
ESC77/98-EL ● ICESC77/98-EL ● ICSCESC77/98-EL	EL (Electrically Locked, Fail Safe), Voltage: 11-30VDC / 10-24VAC
ESC77/98-EU ● ICESC77/98-EU ● ICSCESC77/98-EU	EU (Electrically Unlocked, Fail Secure), Voltage: 11-30VDC / 10-24VAC

TO ORDER other design, Insert: "AT", "RL", "TUB", "LON", or "TAC" before "ESC77/98". e.g. **ATESC77/98-EL** for ESC77/98-EL in AT design

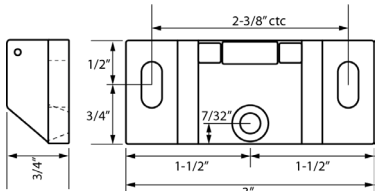
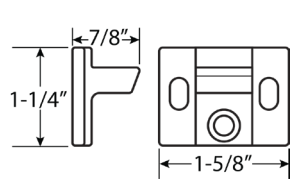
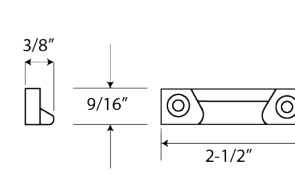
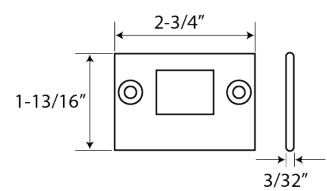
- (IC) **INTERCHANGEABLE CORE:** Interchangeable Core locks will accept compatible 6 or 7-Pin cores with BEST, FALCON and ARROW
- (ICSC) **INTERCHANGEABLE CORE:** Indicates function available with **Schlage Full Size Format** Interchangeable Core. Corbin, Sargent and Yale format also available.



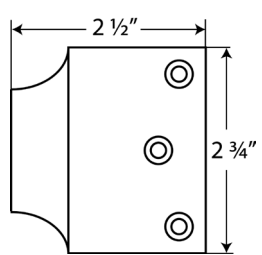
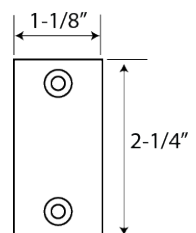
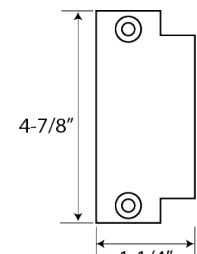
Strikes & Accessories



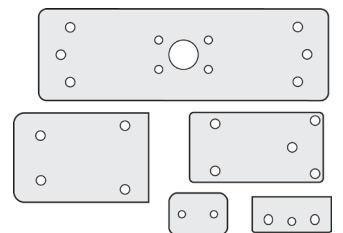
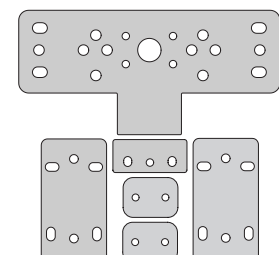
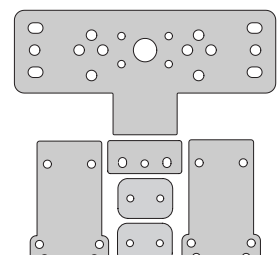
Strikes for 98-3PT & F98-3PT, Fire and Non-Fire Exit Devices

 <p>610 Roller Rim Strike, surface applied. Standard Packaging.</p>	 <p>620 Top Strike. Standard packaging.</p>	 <p>221 Handicap Bottom Strike. Applied to surface of floor or to a flat threshold. Standard packaging.</p>	 <p>233 Bottom strike. Flush mounting stainless steel. Furnished with expansion shields. Requires mortise in the floor.</p>
--	---	--	---

Overlapping Strike Additional Accessories

<p>N251 Surface applied. Used on inactive leaf for device on active leaf of pair of doors without mullion.</p> 	 <p>LFF Lock front filler</p>  <p>SF Strike filler</p>	<p>EXTROD66-12 12\" Extension Rod for 98-3PT & F98-3PT Type</p> <p>EXTROD66-24 24\" Extension Rod for 98-3PT & F98-3PT Type</p>
--	---	---

GLASS BEAD SHIM KITS

 <p>801 – For Rim type, 1/8\" thick 806 – For SVR type, 1/8\" thick 812 – For fire rated SVR type, 1/8\" thick</p>	 <p>806-3 for 98-3PT type, 1/8\" thick</p>	 <p>812-3 for F98-3PT type, 1/8\" thick</p>
--	---	---

CYLINDER DOGGING KITS

TO ORDER: Prefix "CD" before PART #.
Available for all 9800 Series Non-Fire Rated **except Surface 3-PT Type**
Exit Devices. Cylinder dogging with mortise cylinder is located on the
mounting insert lock bolt in retracted position.

KIT ONLY: Use PART # 36CD9800 for 36\" and
48CD9800 for 48\" devices. Specify finish.

NOTE: Use PART # 48CD9800 for 36\" GLS Narrow Stile
Rim and CVR Non-Fire Exit Devices.



CYLINDER DOGGING KIT

- (IC) INTERCHANGEABLE CORE:** Interchangeable Core locks will accept compatible 6 or 7-Pin cores with BEST, FALCON and ARROW
- (ICSC) INTERCHANGEABLE CORE:** Indicates function available with **Schlage Full Size Format** Interchangeable Core. Corbin, Sargent and Yale format also available.