

(ELR) Electric Latch Retraction



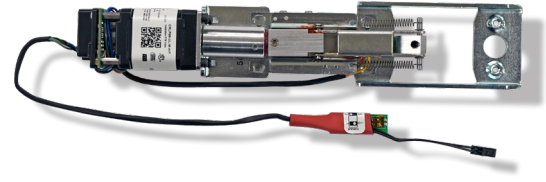
Our motor driven electrified latch pullback exit device allows for remote keyless access control in high occupancy / high traffic conditions where exit devices are required. Common applications include conditions such as hospitals, airports, schools, churches and they are commonly specified in applications that require automatic door openers. The device may be continuously energized allowing for a push / pull condition if desired.

Features:

- Available on 9800 Series, including rim, vertical rod, concealed vertical rod, mortise exit device, fire and non fire-rated devices
- MM4 Smart Module: On board diagnostics with audible feedback for adjustment and power issues
- “PTS” (Push to Set Technology): 5 second electronic adjustment for easy post installation adjustment
- Electric dogging rated for continuous duty - Auto retraction if dogged push pad is pulled from position
- Low Current Draw - Field switchable to “High Torque” mode
- Up to 300’ wire run with (2) 18ga wire - Long wire runs provides installer with convenience of placing the locking device power supply in a centralized location; i.e. the same closet as the access panel
- 8’ cable with Quick Connect for MM4 module to easily connect to power supply lead
- 3-year “No Hassle” warranty

Specifications:

- Voltage – 24 to 28V DC
- System protection – unit shutdown when voltage exceeds 28V DC
- Average In-rush Current – 900mA; Average Hold Current - 215mA
- PTS adjustment – approx. ¼”
- Wire run: 300’ with 18ga wire



**INSTALLED ON THE EXIT
DEVICE: USE FLR2298 ADD**

**FOR FIELD INSTALLATION
USE FLR2298 KIT**

To Order:

- **Must Specify: Exit Device item #** and **FLR2298 ADD** as two separate line items.
For Example: A9800EO36 US32D with ELR option, order “**A9800EO36 US32D**”, and “**FLR2298 ADD**” as two line items.
- ***Use FLR2298 KIT if ordered separately.**
- **Optional Switch (RX or LX)** is also available and should be added as a **3rd line item** as needed.

Note: When using electrified hinge, you must use prefix ELELRn + hinge item code, where “n” is equal to number of wires. For example: ELELR4 + BB31.

**MUST USE CRP POWER SUPPLIES TO
HONOR WARRANTY (see pages 95-96)**

Signal Switch RX and LX

RX (request to exit) signal switch is used to signal the use of an opening from the push side. When the push pad is depressed, the switch is activated. These devices are equipped with an internal SPDT (single pole double throw) switch that monitors the touch bar.

LX (latch bolt monitoring) signal switch monitors both egress and access of an opening. When the latch bolt is retracted, the switch is activated. These devices are equipped with an internal SPDT (single pole double throw) switch that monitors the latch bolt position.

LX and **RX** switches can be combined.

LX, RX switches can be used in combination with ELR (electric latch retraction) option.

Specifications

RX or **LX**.....Switch rated 0.5 amps @ 24V AC / DC resistive
Low current **RX** or **LX**.Switch rated 0.5 amps @ 24V AC / DC resistive

for Factory Installed. To Order, Specify:

- RX22/98**.....Request to Exit switch for field installation
- LX9800**.....Latch bolt Monitoring switch for field installation
- LXR9800**.....Latch bolt Monitoring / Request to Exit Combination

N-MR9800 & N-FMR9800 Series

GRADE 1 Mortise Lock Exit Device



Trim Selection

ESCUTCHEON LEVER DESIGN

FINISHES

Architectural plated finishes

DOOR THICKNESS

Standard 1 3/4"

HANDING

Non-Handed Trim

ESCUTCHEON DIMENSIONS

2" width x 8 1/2" length.

Lever length: 4 3/4".



IMPORTANT: N-MR9800 & N-FMR9800 Exit Device comes standard with Mortise Lockcase. (TRIMS SOLD SEPARATELY)

N-MRESC-00 or N-MRESC-00TS or N-ICMRESC-00 or N-ICSCMRESC-00 or N-ICMRESC-00TS

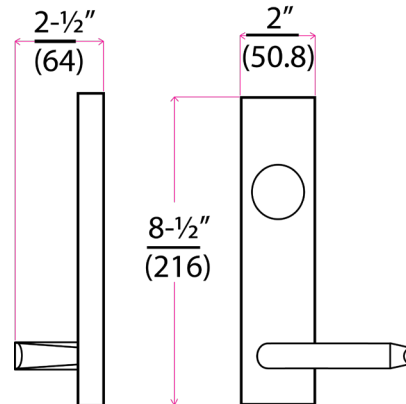
ENTRANCE
Key locks or unlocks lever
Operates as classroom function
ANSI FUNCTION (08)

N-MRESC-05 or N-MRESC-05TS or N-ICMRESC-05 or N-ICSCMRESC-05 or N-ICMRESC-05TS

STOREROOM
Key retracts latch bolt, otherwise always locked
ANSI FUNCTION (09)
**MUST USE N-MR9805EO36/48 Mortise Rim Exit*

NMRESC-30 NMRESC30TS

PASSAGE
Trim always operable and free
ANSI FUNCTION (14)
**MUST USE N-MR9805EO36/48 Mortise Rim Exit*



Anti-Microbial Coating available in US26D Only. Use part # "ANTB-TRIM" when ordering.

KEYWAY: 6-Pin solid brass "C" keyway Mortise Cylinder standard. Optional: Schlage E, Schlage C-K, Russwin D1-2-3-4, Corbin 59/60, Sargent LA-LB-LC, Falcon/Weiser E, Arrow A, Yale 8, Yale GA and Kwikset. Can also accept Medeco, Assa, Kaba and **Cal-Royal HSK** High Security Cylinders.

● **(IC) INTERCHANGEABLE CORE:** Interchangeable Core locks will accept compatible 6 or 7-Pin cores with BEST, FALCON and ARROW

● **(ICSC) INTERCHANGEABLE CORE:** Indicates function available with **Schlage Full Size Format** Interchangeable Core. Corbin, Sargent and Yale format also available.

**MORTISE LOCK CASE ELECTRIFICATION OPTION:
SPECIFY ITEM# UPON ORDERING**

(MORTISE LOCK CASE COMES STANDARD WITH EXIT DEVICE)

ITEM#	DESCRIPTION
N-MR-EL	EL (Electrically Locked, Fail Safe), Voltage 11-30VDC / 10-24VAC
N-MR-EU	EU (Electrically Unlocked, Fail Secure), Voltage 11-30VDC / 10-24VAC

**Must be used with N-MRESC Trim.*

Strikes & Accessories

Strikes for use with A9860V Vertical Rod Exit Device All strikes are black nylon coated		Strikes for use with A9800 Rim Type Exit Device	
221 Standard for A9860V. Applied to surface of floor or to a flat threshold. Standard packaging.	227 Applied to surface of stop. No mortise required. Standard packaging.	233 Bottom stike. Alternate bottom strike. Flush mounting, stainless steel. Furnished with expansion shields. Requires mortise on the floor.	239 For A9800 surface applied. Standard packaging.
RIM238 Strike for 2 3/8" Backset Application	Strikes for GLSCVR9800 & FGLSCVR9800 Fire and Non-Fire Exit Devices		Strike for use with AF9800 Rim Type Fire Exit Device
	260 TOP STRIKE	265 BOTTOM STRIKE	245 For AF9800 surface applied. Standard packaging.
Strikes for use with AF9860V Vertical Rod Fire Exit Device	Strikes for use with GLS9800 Narrow Stile Exit Device		
245 For AF9860V surface applied. Standard packaging.	246 Used on frames with blade stop or integral stop. Surfaced applied or mortised. Standard packaging.	247 Applied to surface of stop. No mortise required.	ADA Roller Strike for A9800, AF9800, A9860V, and AF9860V Fire and Non-Fire Exit Devices
233 Bottom strike for AF9860V. Flush mounting stainless steel. Furnished with expansion shields. Requires mortise in the floor. Standard packaging.	Overlapping Strikes		
	N251 Surface applied. Used on inactive leaf for device on active leaf of pair of doors without mullion.		945 (NON-FIRE RATED) 945F (FIRE RATED)

Accessories

LFF	
<p>Lock front filler</p>	
SF	
<p>Strike filler</p>	
GLASS BEAD SHIM KITS	
<p>801 – For rim type, 1/8" thick 806 – For vertical type, 1/8" thick 812 – For fire rated type, 1/8" thick</p>	
CYLINDER DOGGING KITS	
<p>TO ORDER: Prefix "CD" before PART #. Available for all 9800 Series devices except fire exit hardware. Cylinder dogging with mortise cylinder is located on the mounting insert lock bolt in retracted position.</p> <p>KIT ONLY: Use PART # 36CD9800 for 36" and 48CD9800 for 48" devices. Specify finish.</p> <p>NOTE: Use PART # 48CD9800 for 36" GLS Narrow Stile Rim and CVR Non-Fire Exit Devices.</p>	<p>CYLINDER DOGGING KIT</p> <ul style="list-style-type: none"> ● (IC) INTERCHANGEABLE CORE: Interchangeable Core locks will accept compatible 6 or 7-Pin cores with BEST, FALCON and ARROW ● (ICSC) INTERCHANGEABLE CORE: Indicates function available with Schlage Full Size Format Interchangeable Core. Corbin, Sargent and Yale format also available.