

# Alarm Exit Hardware

## GRADE 1 Rim Type Exit Device



### Rim Type Exit Devices

- NALRM9800EO36 Alarm Rim Type 36" Door (Panic Grade)
- NALRM9820EO48 Alarm Rim Type 48" Door (Panic Grade)
- FNALRM980036 Alarm Rim Type 36" Door (Fire Grade)
- FNALRM982048 Alarm Rim Type 48" Door (Fire Grade)

### Vertical Rod Type Exit Devices

Prefix "NALRM" before MODEL #

### Features

- 1, 3, 5-minute and continuous alarm type settings available
- ON and OFF power switch
- Alarm sound frequency is 120 db
- Alarm unit has an internal horn. When the push rail is depressed, the horn sounds to provide an audible means of signaling that the door has been opened and breached
- The key switch to turn alarm off is a standard 1 ¼" cylinder with "C" keyway. The alarm operates on one standard 9-volt transistor battery. When battery is weak the horn will emit an intermittent signal.
- Alarmed units are supplied with a micro switch, which monitors the push rail and the latch bolt for foolproof security on rim devices
- Alarm unit has a signal OC output that can be linked to external alarm control systems
- Easy removal of the alarm unit without the need to dismount the exit device for battery maintenance
- Unit includes "EMERGENCY EXIT ONLY ALARM WILL SOUND" decal for application on door or unit

### Finishes

Cal-Royal	Description	BHMA	US Finish	Material
P	Prime Coat	600	USP	Steel
3	Polished Brass, Clear Powder Coat	605	US3	Brass
4	Satin Brass, Clear Powder Coat	606	US4	Brass
9	Polished Bright Bronze	611	US9	Bronze
10	Satin Bronze, Clear Powder Coat	612	US10	Bronze
10B	Oil Rubbed Bronze	613	US10B	Bronze
26	Polished Bright Chrome	625	US26	Brass
26D	Satin Chrome	626	US26D	Brass
32	Polished Bright Stainless	628	US32	Stainless Steel
32D	Satin Stainless	630	US32D	Stainless Steel

# Trim Selection

## CLUTCH CYLINDRICAL LEVER



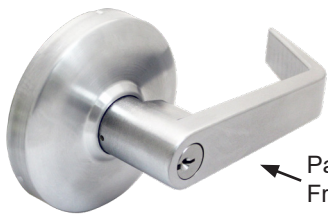
Non-Handed Grade 1 (Clutch Style)

Cylindrical body hardened steel heavy duty tailpiece. For 1 3/4" and 2 1/4" doors. Prefix "THI" before Part # for 2 1/4" door thickness.

Available for Fire and Non-Fire Rated **Rim, SVR, and 3-PT Type Exit Devices**. Rose diameter 3 1/2", lever length 4 3/4". Fits and covers 161 cutout.

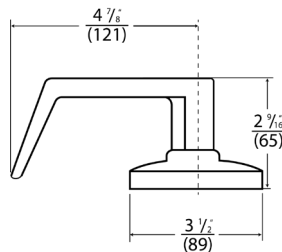
Finishes: US26D, US26, US3, US4, US10B, US10BE, US1

**\*GN DESIGN ONLY: ENT00L, ICENT00L, STR05L, ICSTR05L, PAS30L, DUM40L IN US32D FINISH, ALL STAINLESS STEEL EXTERIOR. INCLUDES GRADE 304SS LEVER AND ROSE**



**GN DESIGN**

Patented Clutch Freewheeling



- ENT00L or
- ICENT00L or
- ICSCENT00L4
- SARICENT00L (Sargent)
- RUSICENT00L (Corbin / Russwin)
- YALICENT00L (Yale)
- 8000K
- STR05L or
- ICSTR05L or
- ICSCSTR05L4
- SARICSTR05L (Sargent)
- RUSICSTR05L (Corbin / Russwin)
- YALICSTR05L (Yale)
- PAS30L
- DUM40L

- ENTRANCE**  
Key locks and unlocks lever. Operates as CLASSROOM FUNCTION. ANSI Function (08)
- Ball Knob Keylock
- STOREROOM**  
Key operates lever, otherwise always locked. ANSI Function (09)
- PASSAGE**  
Trim always operable and free. ANSI Function (14)
- DUMMY**  
Dummy trim. One sided ANSI Function (02)

**KEYWAY:** 6-Pin solid brass "C" keyway standard. Optional: Schlage E, Schlage C-K, Russwin D1-2-3-4, Corbin 59/60, Sargent LA-LB-LC, Falcon/Weiser E, Arrow A, Yale 8, Yale GA and Kwikset. Can also accept Medeco, Assa, Kaba and **Cal-Royal HSK** High Security Cylinders.

- (IC) **INTERCHANGEABLE CORE:** Interchangeable Core locks will accept compatible 6 or 7-Pin cores with **BEST, FALCON and ARROW**.
- (ICSC) **INTERCHANGEABLE CORE:** Indicates function available with **SCHLAGE, CORBIN/RUSSWIN, SARGENT and YALE Full Size Format** Interchangeable Core

KEYWAY	+	DESIGN	+	FUNCTION	+	FINISH
BEST, FALCON, & ARROW - SCHLAGE - CORBIN/RUSSWIN - SARGENT - YALE -		IC ICSC RUSIC SARIC YALIC		AT SPA TUB* AUG DAN LON TAC		ENT00L STR05L PAS30L DUM40L
<b>HOW TO ORDER IN LFIC</b> Example: ICSCENT00L4 US26D in "SPA" design is ICSCSPAENT00L4 US26D						

\*\*Note: Yale LFIC is only available in GN, AT, SPA lever designs | TUB\* is only available in SFIC.

### Other Lever Trim Designs

- Available in SFIC & LFIC **AT**
- Available in SFIC & LFIC **SPA**
- Available in SFIC **TUB**
- Available in SFIC & LFIC *\*except YALE LFIC* **AUG**
- Available in SFIC & LFIC *\*except YALE LFIC* **DAN**
- Available in SFIC & LFIC *\*except YALE LFIC* **LON**
- Available in SFIC & LFIC *\*except YALE LFIC* **TAC**
- 8000K**

Anti-Microbial Coating available in US26D or US32D Only. Use part # "ANTB-TRIM" when ordering.

# Trim Selection

## HEAVY DUTY STAINLESS STEEL CLUTCH LEVER ESCUTCHEON (High Frequency Abusive Situation such as Schools, Hospitals, Industrial / Institutional)

### CONSTRUCTION

- Clutch mechanism
- Double heavy duty spring support to prevent sagging and enhance operation
- Grade 1, thru-bolted design. Non-handed design.
- All Stainless Steel heavy duty tailpiece.
- Available for Fire and Non-Fire Rated **Rim, SVR, and 3-PT Type Exit Devices**
- Standard 6-Pin Schlage "C" Mortise Cylinder included

### DOOR THICKNESS

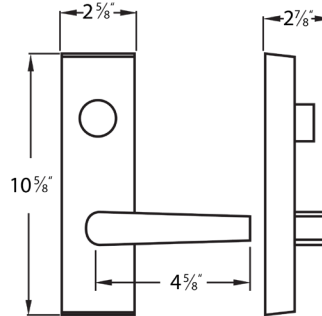
Standard 1 3/4" to 2".

For 2" or 2 1/2" thick door use additional Part # TAIL9

### ESCUTCHEON DIMENSIONS

2 5/8" width x 10 5/8" length. Lever length: 4 5/8".

Fits and covers 2 1/8" 161 cutout



### Lever Trim Designs



- HDESC-00 or
- ICHDESC-00
- ICCHDESC-00
- HDTSESC-00
- ICHDTSESC-00
- ICCHDTSESC-00

**ENTRANCE**  
Clutch Entrance, key locks or unlocks escutcheon trim.  
ANSI Function (08)  
Operates as classroom function

- HDESC-05 or
- ICHDESC-05
- ICCHDESC-05
- HDTSESC-05
- ICHDTSESC-05
- ICCHDTSESC-05

**STOREROOM**  
Clutch Storeroom, key unlocks lever, lever retracts latch bolt, otherwise always locked. ANSI Function (09)

- HDESC-30
- HDTSESC-30
- HDESC-40
- HDTSESC-40

**PASSAGE**  
Trim always operable and free  
ANSI Function (14)

**DUMMY**  
Dummy Escutcheon trim  
ANSI Function (02)

**TO ORDER RL lever design,** add "RL" after "HD" when ordering.  
e.g. HDRLESC-00 for HDESC-00 with RL design.

**KEYWAY:** 6-Pin solid brass "C" keyway Mortise Cylinder standard. Optional: Schlage E, Schlage C-K, Russwin D1-2-3-4, Corbin 59/60, Sargent LA-LB-LC, Falcon/Weiser E, Arrow A, Yale 8, Yale GA and Kwikset. Can also accept Medeco, Assa, Kaba and **Cal-Royal HSK** High Security Cylinders.

• **(IC) INTERCHANGEABLE CORE:** Interchangeable Core locks will accept compatible 6 or 7-Pin cores with BEST, FALCON and ARROW

• **(ICSC) INTERCHANGEABLE CORE:** Indicates function available with **Schlage Full Size Format** Interchangeable Core. Corbin, Sargent and Yale format also available.

Anti-Microbial Coating available in US32D Only. Use part # "ANTB-TRIM" when ordering.

**FOR ELECTRIFICATION OPTION:**  
**SPECIFY ITEM # UPON ORDERING**  
**TO ORDER "RL" OR "TS" LEVER DESIGN,**  
**REPLACE "HD" WITH "RL" OR "TS".**

ITEM#	DESCRIPTION
FS12HD	FAIL-SAFE (FS) OPTION 12V AC / DC
FS24HD	FAIL-SAFE (FS) OPTION 24V AC / DC
FSE12HD	FAIL-SECURE (FSE) OPTION 12V AC / DC
FSE24HD	FAIL-SECURE (FSE) OPTION 24V AC / DC

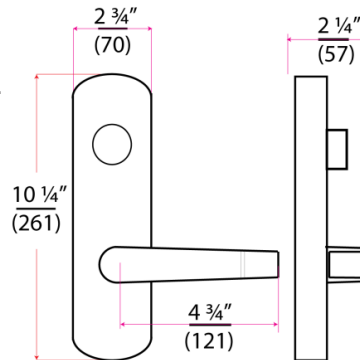
# Trim Selection

## RIGID LEVER ESCUTCHEON



### CONSTRUCTION

- Rigid, non clutch mechanism.
- Double heavy duty spring support to prevent sagging and enhance operation.
- Grade 1, thru-bolted design. Non-handed design.
- Hardened steel heavy duty tailpiece.
- Available for Fire and Non Fire Rated **Rim, SVR, and 3-PT Type Exit Devices.**
- Standard 6-Pin Schlage "C" Mortise Cylinder included



### DOOR THICKNESS

Standard 1 3/4". For 2 1/4" thick door use additional Part # TAIL3

### ESCUTCHEON DIMENSIONS

2 3/4" width x 10 1/4" length. Lever length: 4 3/4". Fits and covers 2 1/8" 161 cutout.

Anti-Microbial Coating available in US26D Only. Use part # "ANTB-TRIM" when ordering.

- **NESC9800 or**
- **ICNESC9800 or**
- **ICSCNESC9800**

### ENTRANCE

Rigid Entrance, key locks or unlocks escutcheon trim ANSI Function (08) Operates as classroom function

- **NESC9805 or**
- **ICNESC9805 or**
- **ICSCNESC9805**

### STOREROOM

Rigid Storeroom, key unlocks lever, lever retracts latch bolt, otherwise always locked ANSI Function (09)

### NESC9830

### PASSAGE

Trim always operable and free ANSI Function (14)

### NESC9840

### DUMMY

Dummy Escutcheon trim ANSI Function (02)

**TO ORDER** other lever design insert "AT", "RL", "TUB", "LON", or "TAC" before "ESC": e.g. **ATESC9800** for NESC9800 with AT design.

**KEYWAY:** 6-Pin solid brass "C" keyway Mortise Cylinder standard. Optional: Schlage E, Schlage C-K, Russwin D1-2-3-4, Corbin 59/60, Sargent LA-LB-LC, Falcon/Weiser E, Arrow A, Yale 8, Yale GA and Kwikset. Can also accept Medeco, Assa, Kaba and **Cal-Royal HSK** High Security Cylinders.

**FOR ELECTRIFIED TRIM OPTIONS SEE PAGE 36**

- **(IC) INTERCHANGEABLE CORE:** Interchangeable Core locks will accept compatible 6 or 7-Pin cores with BEST, FALCON and ARROW.
- **(ICSC) INTERCHANGEABLE CORE:** Indicates function available with **Schlage Full Size Format** Interchangeable Core. Corbin, Sargent and Yale format also available.

### Lever Trim Designs



# Trim Selection

## PULL DESIGN



**9800 NL**  
**IC9800NL**  
**ICSC9800NL**

### FOR RIM DEVICES ONLY

Outside by pull and key.  
Key retracts latch bolt.  
ANSI function (03)  
Covers 161 cutout

### KEYWAY

Standard 6-Pin solid brass "C"  
keyway Rim Cylinder included.

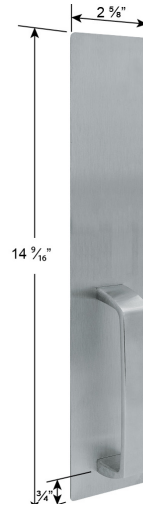
### FINISHES

Architectural plated finishes.



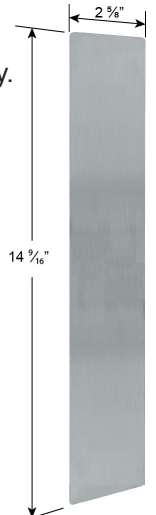
**9800 DTP**

Outside by pull only.  
Pull when dogged.  
ANSI function (02)  
Covers 161 cutout.



**9800 EOP**

Outside by plate only.  
ANSI function (01)  
Covers 161 cutout



## THUMBPIECE TRIM (OPERATES ON RIM & VERTICAL ROD DEVICES)

**98TP-00 or**  
● **IC98TP00**  
● **ICSC98TP00**

### ENTRANCE

Key locks or unlocks thumbpiece.  
(Operates as classroom function)  
ANSI Function (05)

**98TP-05 or**  
● **IC98TP05**  
● **ICSC98TP05**

### STOREROOM

Key unlocks thumbpiece, thumbpiece retracts  
latch bolt, otherwise always locked.  
ANSI Function (06)

**98TP-30**

### PASSAGE

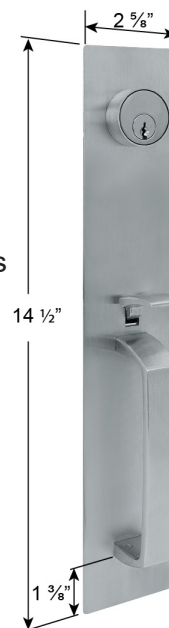
Trim always operable and free.  
ANSI Function (15)

**98TP-40**

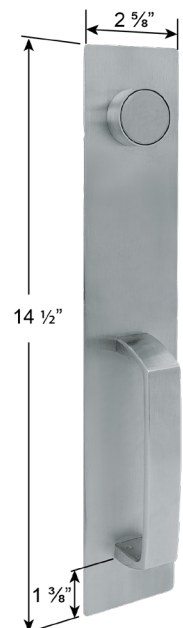
### DUMMY

Dummy trim. **Includes blank Mortise  
dummy cylinder.** One sided.  
ANSI Function (02)

### KEYED



### DUMMY



**KEYWAY:** 6-Pin solid brass "C" keyway Mortise Cylinder standard. Optional: Schlage E, Schlage C-K, Russwin D1-2-3-4, Corbin 59/60, Sargent LA-LB-LC, Falcon/Weiser E, Arrow A, Yale 8, Yale GA and Kwikset. Can also accept Medeco, Assa, Kaba and **Cal-Royal HSK** High Security Cylinders.

### ● (IC) INTERCHANGEABLE CORE

Interchangeable Core locks will accept compatible 6 or 7-Pin cores with BEST, FALCON and ARROW.

● (ICSC) INTERCHANGEABLE CORE: Indicates function available with **Schlage Full Size Format** Interchangeable Core. Corbin, Sargent and Yale format also available.

### FINISHES

Architectural plated finishes.

# Electrified Lever Trim



Cal-Royal's electrified lever trim provides remote locking and unlocking capabilities using industry safety standards. The solenoid can be energized from a distant controller, thus allowing access control of the opening. The control of stairwells in high-rise buildings is a common application for this trim, where electric pullback of the exit device's latch bolt is cost prohibitive or not required. This is especially practical in applications where fire/life safety codes require a "fail-safe" condition which is not an option with electrified latch pullback devices. Because the current draw is quite low there is no need for a more expensive power supply to provide the surge current.

## Features

- Continuous duty solenoids used to insure trouble-free operation
- Internally mounted solenoid to ease installation (no special door prep required)
- No Hassle 3-year Warranty

Anti-Microbial Coating available in US26D Only. Use part # "ANTB-TRIM" when ordering.

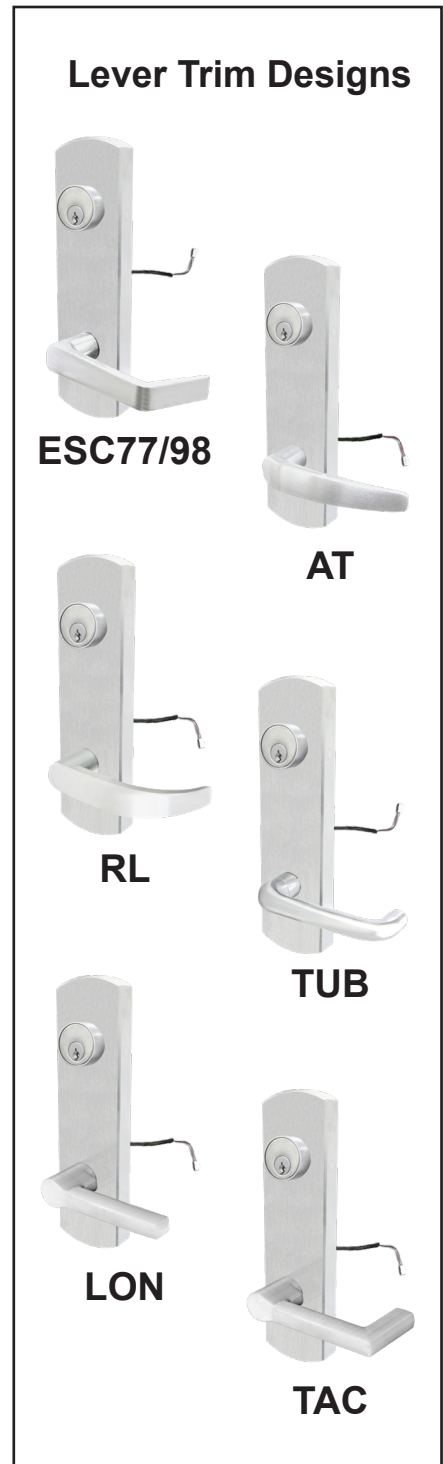
## Specifications

Solenoid..... Continuous Duty  
 Operating Voltage.... Dual 12-24V AC / DC ± 10%  
 Amperage..... 250mA @ 12V or 150mA @ 24V  
 Coil Resistance..... 12V = 49Ω or 24V = 159Ω  
 Function..... available Fail Safe, Electrically Locked (EL) or Fail Secure, Electrically Unlocked (EU)

ITEM#	DESCRIPTION
ESC77/98-EL ● ICESC77/98-EL ● ICSCESC77/98-EL	<b>EL</b> (Electrically Locked, Fail Safe), Voltage: 11-30VDC / 10-24VAC
ESC77/98-EU ● ICESC77/98-EU ● ICSCESC77/98-EU	<b>EU</b> (Electrically Unlocked, Fail Secure), Voltage: 11-30VDC / 10-24VAC

**TO ORDER** other design, Insert: "AT", "RL", "TUB", "LON", or "TAC" before "ESC77/98". e.g. **ATESC77/98-EL** for ESC77/98-EL in AT design

- (IC) **INTERCHANGEABLE CORE:** Interchangeable Core locks will accept compatible 6 or 7-Pin cores with BEST, FALCON and ARROW
- (ICSC) **INTERCHANGEABLE CORE:** Indicates function available with **Schlage Full Size Format** Interchangeable Core. Corbin, Sargent and Yale format also available.



# (ELR) Electric Latch Retraction



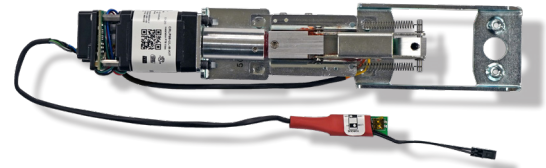
Our motor driven electrified latch pullback exit device allows for remote keyless access control in high occupancy / high traffic conditions where exit devices are required. Common applications include conditions such as hospitals, airports, schools, churches and they are commonly specified in applications that require automatic door openers. The device may be continuously energized allowing for a push / pull condition if desired.

## Features:

- Available on 9800 Series, including **Rim, Vertical Rod, Concealed Vertical Rod, Mortise Rim Type** fire and non fire-rated exit devices
- MM4 Smart Module: On board diagnostics with audible feedback for adjustment and power issues
- “PTS” (Push to Set Technology): 5 second electronic adjustment for easy post installation adjustment
- Electric dogging rated for continuous duty - Auto retraction if dogged push pad is pulled from position
- Low Current Draw - Field switchable to “High Torque” mode
- Up to 300’ wire run with (2) 18ga wire - Long wire runs provides installer with convenience of placing the locking device power supply in a centralized location; i.e. the same closet as the access panel
- 8’ cable with Quick Connect for MM4 module to easily connect to power supply lead
- 3-year “No Hassle” warranty

## Specifications:

- Voltage – 24 to 28V DC
- System protection – unit shutdown when voltage exceeds 28V DC
- Average In-rush Current – 900mA; Average Hold Current - 215mA
- PTS adjustment – approx. ¼”
- Wire run: 300’ with 18ga wire



**INSTALLED ON THE EXIT  
DEVICE: USE FLR2298 ADD**

**FOR FIELD INSTALLATION  
USE FLR2298 KIT**

## To Order:

- **Must Specify: Exit Device item #** and **FLR2298 ADD** as two separate line items.  
For Example: A9800EO36 US32D with ELR option, order “**A9800EO36 US32D**”, and “**FLR2298 ADD**” as two line items.
- **\*Use FLR2298 KIT if ordered separately.**
- **Optional Switch (RX or LX)** is also available and should be added as a **3<sup>rd</sup> line item** as needed.

**Note:** When using electrified hinge, you must use prefix ELELRn + hinge item code, where “n” is equal to number of wires. For example: ELELR4 + BB31.

**MUST USE CRP POWER SUPPLIES TO  
HONOR WARRANTY (see pages 95-96)**

## Signal Switch RX and LX

**RX** (request to exit) signal switch is used to signal the use of an opening from the push side. When the push pad is depressed, the switch is activated. These devices are equipped with an internal SPDT (single pole double throw) switch that monitors the touch bar.

**LX** (latch bolt monitoring) signal switch monitors both egress and access of an opening. When the latch bolt is retracted, the switch is activated. These devices are equipped with an internal SPDT (single pole double throw) switch that monitors the latch bolt position.

**LX** and **RX** switches can be combined.

**LX, RX** switches can be used in combination with ELR (electric latch retraction) option.

## Specifications

**RX or LX**.....Switch rated 0.5 amps @ 24V AC / DC resistive  
Low current **RX** or **LX**.Switch rated 0.5 amps @ 24V AC / DC resistive

## for Factory Installed. To Order, Specify:

**RX22/98**.....Request to Exit switch for field installation  
**LX9800**.....Latch bolt Monitoring switch for field installation  
**LXR9800**.....Latch bolt Monitoring / Request to Exit Combination

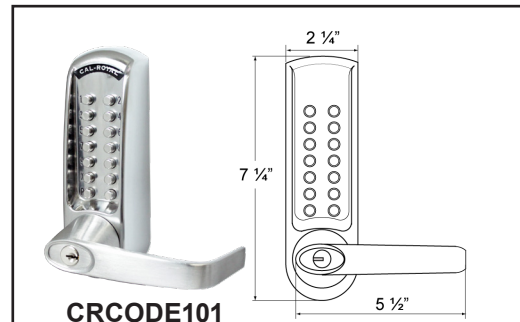
# Heavy Duty Digital Exit Trims



## MECHANICAL CRCODE101

### Features

- Heavy Duty
- Designed for 7700 and 9800 Series Grade 1 Rim and Surface Vertical Rod Type Exit Devices
- Single Code (up to 8000 code combinations)
- Weather-Resistant finish
- Code can be changed anytime without dismounting
- Full size, Non-Handed
- Easy Installation

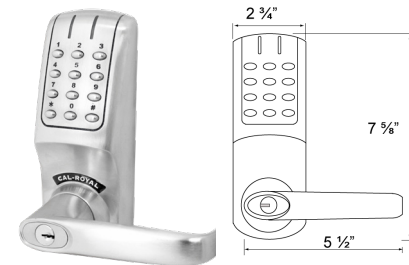


**CRCODE101**

## ELECTRONIC CRCODE007

### Features

- Dual mode for code free entry either mechanically by key or electronically thru the keypad
- Designed for 7700 and 9800 Series Rim Exit Devices
- Can store up to 90 different numeric user codes in 4, 5 or 6 digits
- Settings remain in memory when batteries are removed
- Audible alarm sounds after 3 incorrect attempts
- Connections available for remote release switch and automatic lock activation when linked to Fire alarm system
- Can be used as STOREROOM or CLASSROOM function
- Factory default set as STOREROOM function
- Fast and easy programming via master code
- Comes standard with 2 levers (for LH or RH handing)

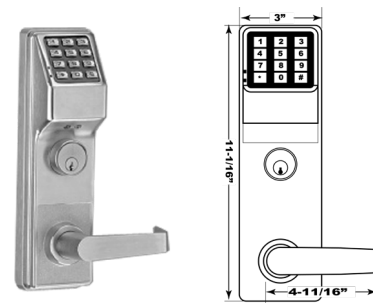


**CRCODE007**

## CR4000 TRILOGY® KEYLESS EXIT TRIM

### Features

- Clutch mechanism insures long life and durability
- Fingertip and / or Windows programmable
- 2000 User Codes: Master, manager, supervisor and users
- Real Time Clock for up to 40,000 Event Time / Date-Stamped Audit Trail
- Up to 500 Lock / Unlock Schedules (with Time Zone Support)
- Rugged 12-Button Metal Keypad
- Adaptable to most major manufacturers of standard RIM and IC RIM Cylinders
- Battery operated; uses 5 AA batteries
- Optional Interchangeable Core available with Best, Falcon & Arrow
- Non-Handed; Fully Reversible

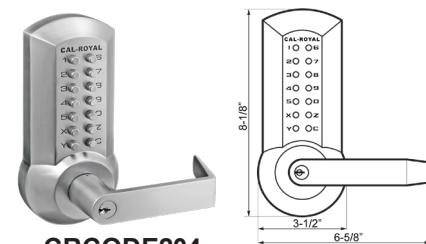


**CR4000**

## MECHANICAL CRCODE204

### Features

- Breakaway Lever Design
- Easy On-Door Code Change
- Weather Resistant
- Code-Free Option (Passage)
- 1 - 12 digit Length Code
- Thousands of Possible Code Combinations
- Single Code User
- Applications: Offices, Schools, Hospitals, Apartments, Hotels / Motels, Residential, Commerical and Public Buildings
- Door Thickness: 1 3/4" - 2"
- Non-Handed, Fully Reversible



**CRCODE204**

## KABA® - Cal-Royal Combination

Cal-Royal's Exit hardware devices combined with Kaba InSync CP provide a variety of alternatives when addressing community access control. Recommended for applications such as controlling building entry openings, common area rooms and doors with exit devices. InSync CP are available as stand-alone battery operated door locks designed to work in conjunction with Cal-Royal's Exit Hardware Devices.

**KABA InSync CP is not sold through CAL-ROYAL.** For inquiries and information on InSync line of products please visit [www.kabamultihousing.com](http://www.kabamultihousing.com)





# Strikes & Accessories

<p><b>Strike for A9800 Rim Type Exit Device</b></p> <p><b>239</b> For A9800 surface applied. Standard packaging.</p>	<p><b>Strike for AF9800 Rim Type Fire Exit Device</b></p> <p><b>245</b> For AF9800 surface applied. Standard packaging.</p>	
<p><b>ADA Roller Strike for A9800 and AF9800 Fire and Non-Fire Rim Exit Devices</b></p> <p><b>945 (NON-FIRE RATED)</b> <b>945F (FIRE RATED)</b></p>	<p><b>Strikes for use with A9860V Vertical Rod Exit Device</b> All strikes are black nylon coated</p> <p><b>221</b> Standard for A9860V. Applied to surface of floor or to a flat threshold. Standard packaging.</p>	<p><b>227</b> Applied to surface of stop. No mortise required. Standard packaging.</p>
<p><b>Strikes for use with AF9860V Vertical Rod Fire Exit Device</b></p> <p><b>245</b> For AF9860V surface applied. Standard packaging.</p>	<p><b>233</b> Bottom stike. Alternate bottom strike. Flush mounting, stainless steel. Furnished with expansion shields. Requires mortise on the floor.</p> <p><b>RIM238</b> Strike for 2 3/8" Backset Application</p>	<p><b>233</b> Bottom stike. Alternate bottom strike. Flush mounting, stainless steel. Furnished with expansion shields. Requires mortise on the floor.</p>
<p><b>Strikes for N-98GLS-CVR, N-F98GLS-CVR, 98GLS-SVR &amp; F98GLS-SVR Fire and Non-Fire Exit Devices</b></p> <p><b>N-260 TOP STRIKE</b> Dimensions: 2 1/32" top width, 37/64" top offset, 1/8" top offset, 1 39/64" width, 1 7/32" height.</p> <p><b>N-265 BOTTOM STRIKE</b> Dimensions: 11/16" top width, 51/64" top offset, 1/8" top offset, 2 23/64" width, 29/32" height, 1 3/4" width.</p> <p><b>233 BOTTOM STRIKE</b> Dimensions: 2-3/4" width, 1-13/16" height, 3/32" offset.</p> <p><b>N-221 BOTTOM STRIKE</b> Dimensions: 1/4" top offset, 2" width, 13/32" top offset, 35/64" bottom offset.</p>	<p><b>Strikes for use with GLS9800 &amp; FGLS9800 Narrow Stile Rim Type Fire and Non-Fire Exit Devices</b></p> <p><b>246</b> Used on frames with blade stop or integral stop. Surfaced applied or mortised. Standard packaging.</p>	<p><b>247</b> Applied to surface of stop. No mortise required.</p>

# Strikes & Accessories



## Strikes for 98-3PT & F98-3PT, Fire and Non-Fire Exit Devices

<p><b>610</b> Roller Rim Strike, surface applied. Standard Packaging.</p>	<p><b>620</b> Top Strike. Standard packaging.</p>	<p><b>221</b> Handicap Bottom Strike. Applied to surface of floor or to a flat threshold. Standard packaging.</p>	<p><b>233</b> Bottom strike. Flush mounting stainless steel. Furnished with expansion shields. Requires mortise in the floor.</p>
---	---	---	---

## Overlapping Strike

## Additional Accessories

<p><b>N251</b> Surface applied. Used on inactive leaf for device on active leaf of pair of doors without mullion.</p>	<p><b>LFF</b> Lock front filler</p> <p><b>SF</b> Strike filler</p>	<p><b>EXTROD66-12</b> 12" Extension Rod for 98-3PT &amp; F98-3PT Type</p> <p><b>EXTROD66-24</b> 24" Extension Rod for 98-3PT &amp; F98-3PT Type</p>
---	--	---

## GLASS BEAD SHIM KITS

<p><b>801</b> – For Rim type, 1/8" thick <b>806</b> – For SVR type, 1/8" thick <b>812</b> – For fire rated SVR type, 1/8" thick</p>	<p><b>806-3</b> for 98-3PT type, 1/8" thick</p>	<p><b>812-3</b> for F98-3PT type, 1/8" thick</p>
---	---	--

## CYLINDER DOGGING KITS

**TO ORDER:** Prefix "CD" before PART #.  
Available for all 9800 Series Non-Fire Rated except Surface 3-PT Type  
Exit Devices. Cylinder dogging with mortise cylinder is located on the  
mounting insert lock bolt in retracted position.

**KIT ONLY:** Use PART # 36CD9800 for 36" and  
48CD9800 for 48" devices. Specify finish.

**NOTE:** Use PART # 48CD9800 for 36" GLS Narrow Stile  
Rim Type Non-Fire Exit Devices



### CYLINDER DOGGING KIT

- (IC) INTERCHANGEABLE CORE:** Interchangeable Core locks will accept compatible 6 or 7-Pin cores with BEST, FALCON and ARROW
- (ICSC) INTERCHANGEABLE CORE:** Indicates function available with **Schlage Full Size Format** Interchangeable Core. Corbin, Sargent and Yale format also available.