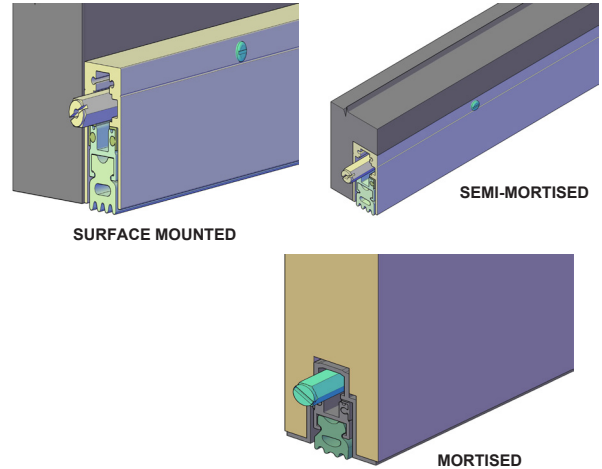
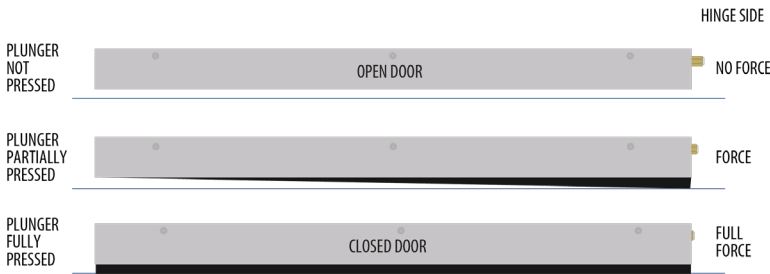


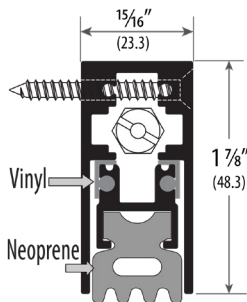
SPECIFICATIONS

- » Automatic Door Bottoms are made from Extruded Aluminum combined with Neoprene or Vinyl seals.
- » It provides an efficient seal that blocks out air, smoke, sound, and fire.
- » Available in Surface Mounted, Semi-Mortised and Mortised Applications.
- » It can be installed on either wood or hollow metal doors; or as specified on each model.
- » Non-Handed, Reversible for Left or Right Hand Installation.
- » Low closing force; Slotted holes for adjustment.
- » Maximum cut should not be closer to 1 1/2" to the set screw.

Testing/Ratings:



- » The drop bar mechanism prevents the seal from dragging along the floor or threshold while the door is being closed.

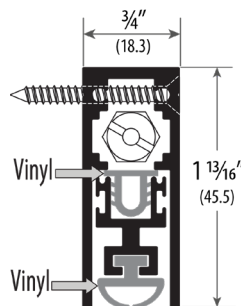


ADB-701

Finish Options: AN, DN
Length Available: 36", 48"
Max. Drop: 7/8" (22.2mm)

Heavy Duty, **Semi-Mortised or Surface Mounted Application**
for use with Wood or Hollow Metal Doors
Supplied with Closed Cell Sponge **Neoprene**

Comes Standard with:
#8 x 1 1/2" Truss PHSMS, and
#8 x 1 1/2" Truss FHSMS

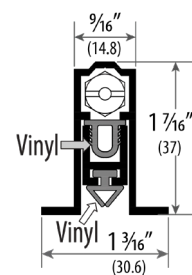


ADB-702

Finish Options: AV, DV
Length Available: 36", 48"
Max. Drop: 3/4" (19.1mm)

Regular Duty, **Semi-Mortised or Surface Mounted Application**
for use with Wood or Hollow Metal Doors
Supplied with Solid **Vinyl** Extrusion

Comes Standard with:
#8 x 1 1/2" Truss PHSMS, and
#8 x 1 1/2" Truss FHSMS



ADB-703

Finish Options: AV, DV
Length Available: 36", 48"
Max. Drop: 3/4" (19.1mm)

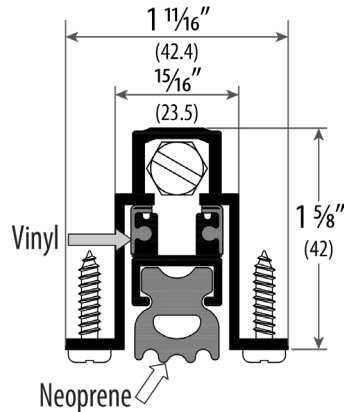
Light Duty, **Mortised Applications.**
for use with Wood Doors.
Supplied with **Vinyl** Seal.

Comes Standard with #6 x 3/4" PPHSDS

Note: Products shown in this section are not drawn to scale. | Available Finishes: AN (Mill Finish Aluminum with Neoprene Insert) | DN (Dark Bronze Anodized Aluminum with Neoprene Insert) | AV (Mill Finish Aluminum with Vinyl Insert) | DV (Dark Bronze Anodized Aluminum with Vinyl Insert)

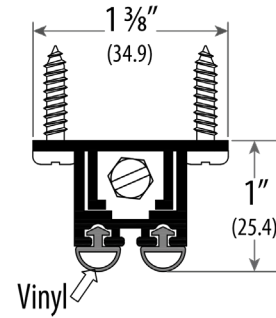
AUTOMATIC DOOR BOTTOMS

Testing/Ratings:



ADB-704

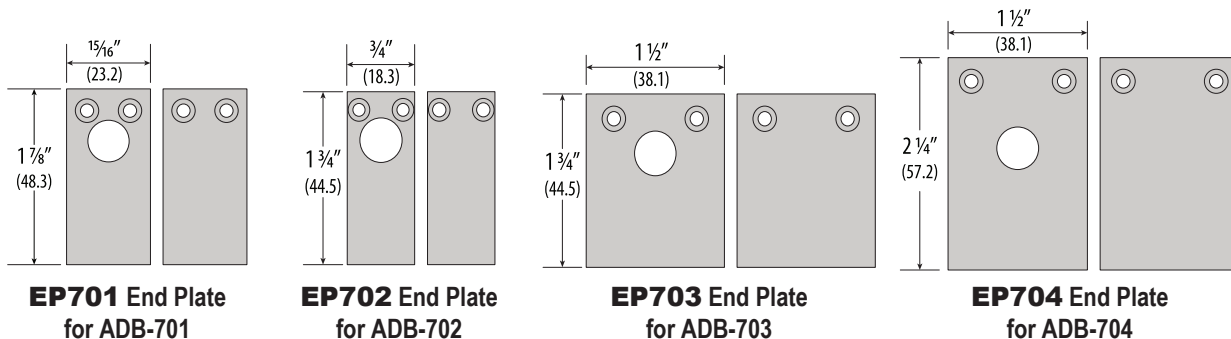
Finish Options: AN, DN
 Length Available: 36", 48"
 Max. Drop: 7/8" (22.2mm)
 Heavy Duty, **Mortised** Applications
 for use with Wood Doors
 Supplied with Closed Cell Sponge **Neoprene**
 Comes Standard with #6 x 3/4" PPHSDS



ADB-705

Finish Options: AV, DV
 Length Available: 36", 48"
 Max. Drop: 1/2" (12.7mm)
 Regular Duty, **Mortised** Applications
 for use with Hollow Metal Doors
 Supplied with **Vinyl** Seal
 Not supplied with End Plates
 Comes Standard with #6 x 3/4" PPHSDS

Note: Products shown in this section are not drawn to scale. | Available Finishes: AN (Mill Finish Aluminum with Neoprene Insert) | DN (Dark Bronze Anodized Aluminum with Neoprene Insert) | AV (Mill Finish Aluminum with Vinyl Insert) | DV (Dark Bronze Anodized Aluminum with Vinyl Insert)



- » Anodized Aluminum plates at 0.063" thick.
- » End Plates are available for both ends and can easily be removed without taking door off the frame.
- » All Automatic Door Bottom models are provided with end plates (except ADB-705) with screws to protect the mechanism and for aesthetics.