

NEW PRODUCT

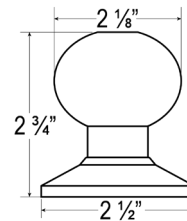
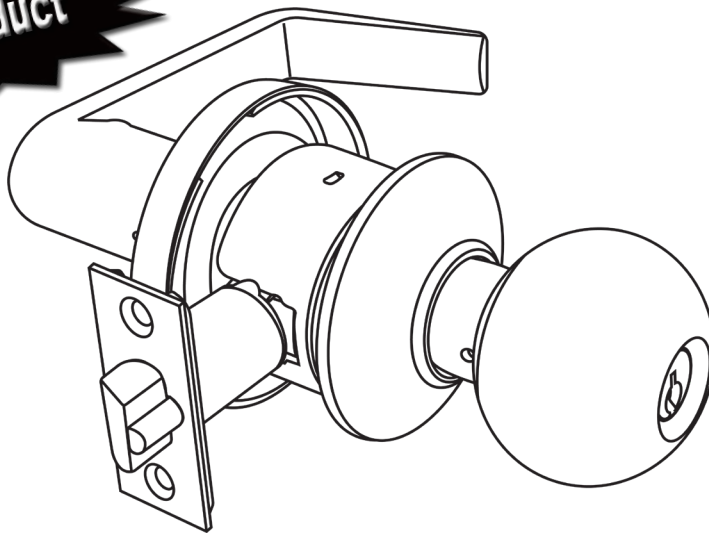


BA-SG05 BARRINGTON SERIES / CHALLENGER SG SERIES

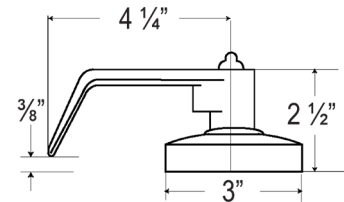


**STANDARD DUTY CYLINDRICAL LOCKSET,
KEYED OUTSIDE KNOB / LEVER INSIDE
STOREROOM FUNCTION
ANSI STANDARD A156.2, GRADE 2**

New Product



BA DESIGN



SG DESIGN

- » 2 1/2" Rose on Exterior Knob
- » 3" Rose for Interior Lever
- » Packed with 2 3/8" x 1" Backset Designed for Metal Gate Doors with or without Knob/Lever Guards
- » Schlage "C" Keyway Standard

Please note that this item is not yet included in our NEW 2017 Catalog.

FUNCTION	ANSI	ITEM #	FINISH	IP QTY	MC QTY
Keyed Outside Knob / Lever Inside, Storeroom Function	F86	BA-SG05	US32D	1	10
ADDITIONAL ACCESSORY					
2 3/4" Dead Latch, 2 1/4" x 1 1/8" Faceplate	---	ULSLD234	US3, 26D, US10B, US10, 26	1	---

PACKAGING INCLUDES:

- 2 3/8" Backset, 2 1/4" x 1" Faceplate and T-Strike.
- 2 3/4" Backset available upon request. Use PART # *ULSLD234*.

FAX US YOUR ORDERS TOLL FREE at 1-800-222-3316 or 323-888-6699 or EMAIL to orders@cal-royal.com