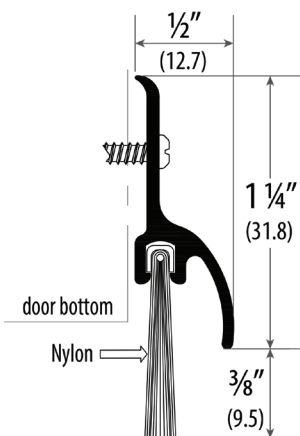
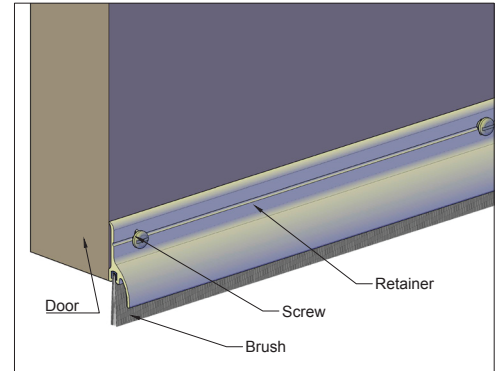


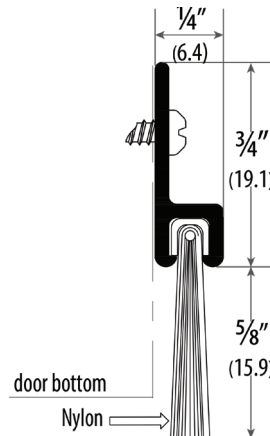
**BRUSH WEATHERSTRIP SPECIFICATIONS**

- » Brush Weatherstrips are designed to seal the gap around the door, between the bottom of the door, and the top of the threshold or floor surface.
- » Energy efficient; prevents heat loss and infiltration of sound, light, drafts, insects, moisture, smoke or fire.
- » It consists of high quality Nylon Brush encased in Extruded Aluminum Seal Retainers.
- » These products can be used on either Wood or Hollow Metal doors (in-door sweep, jamb / header gasketing, and split astragal) applications.
- » Punched with slotted holes for adjustment.
- » Also available with a rain drip design (**BWR-301**), which deflects water.

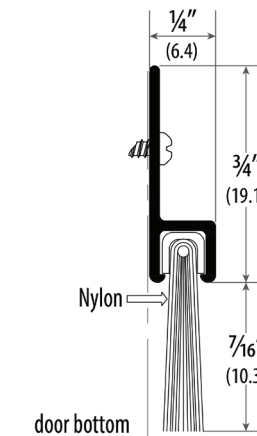
**Testing/Ratings:**



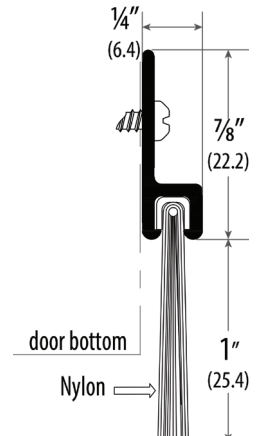
**BWR-301**



**BW-302**



**BW-303**



**BW-305**

Finish Options: A, D  
 Length Available: 36", 48"  
 Width: 1/2" (12.7mm)  
 Profile Height: 1 1/4" (31.8mm)  
 Total Height: 1 5/8" (41.3mm)  
 Comes Standard with:  
 #6 x 5/8" PPHSMS

Finish Options: A, D  
 Length Available: 36", 48"  
 Width: 1/4" (6.4mm)  
 Profile Height: 3/4" (19.1mm)  
 Insert Height: 5/8" (15.9mm)  
 Total Height: 1 3/8" (35mm)  
 Comes Standard with:  
 #6 x 5/8" PPHSMS

Finish Options: A, D  
 Length Available: 36", 48", 84", 96"  
 Width: 1/4" (6.4mm)  
 Profile Height: 3/4" (19.1mm)  
 Insert Height: 7/16" (10.3mm)  
 Total Height: 1 3/16" (29.4mm)  
 Comes Standard with:  
 #6 x 5/8" PPHSMS

Finish Options: A, D  
 Length Available: 36", 48"  
 Width: 1/4" (6.4mm)  
 Profile Height: 7/8" (22.2mm)  
 Insert Height: 1" (25.4mm)  
 Total Height: 1 7/8" (47.6mm)  
 Comes Standard with:  
 #6 x 5/8" PPHSMS

**Note:** Products shown in this section are not drawn to scale. | Available Finishes: A (Mill Finish Aluminum) | D (Dark Bronze Anodized Aluminum)