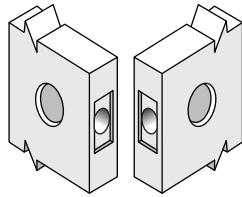


**Standard Packaging:**

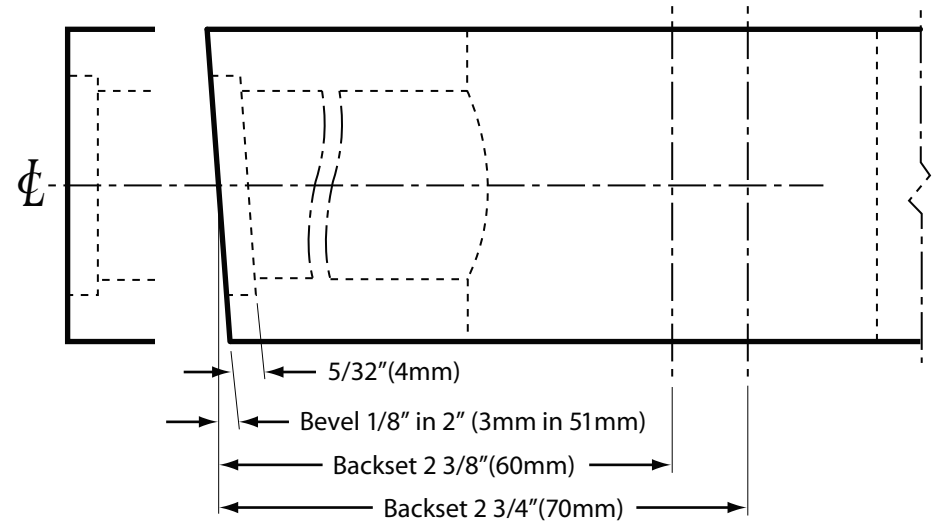
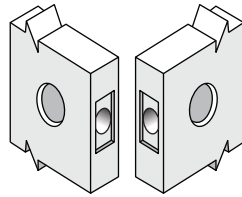
Latchbolt: 2-3/4"

Face plate: 1-1/8" x 2-1/4"

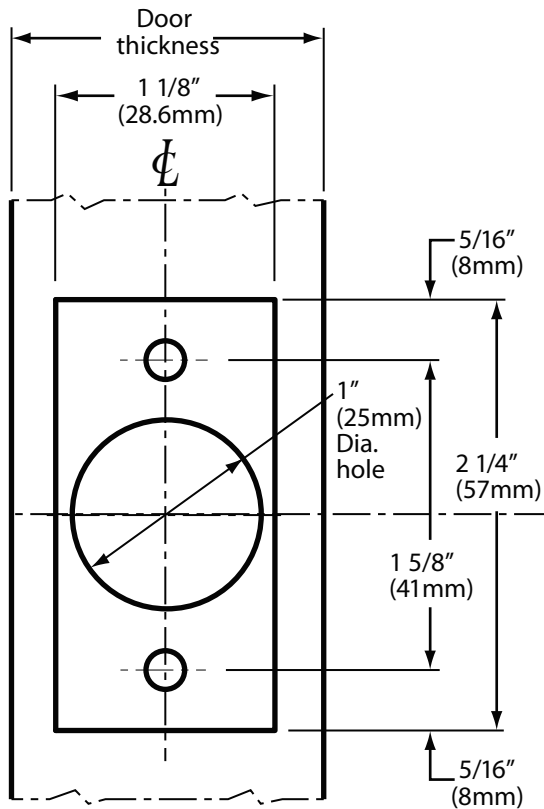
LEFT HANDED DOORS  
OUTSIDE INSIDE



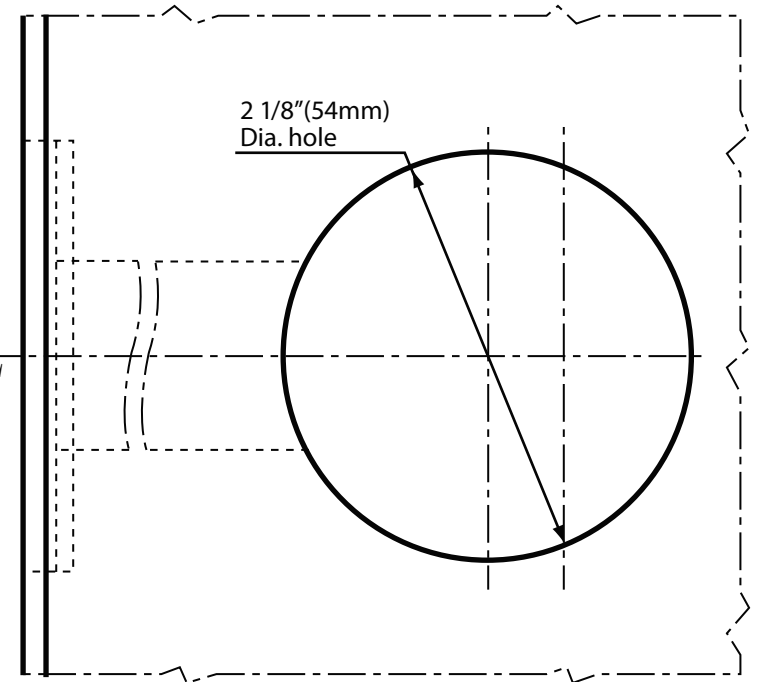
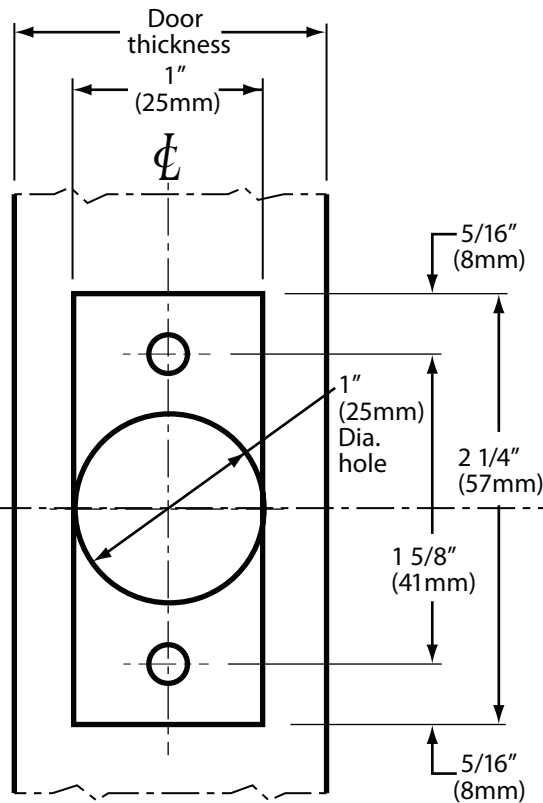
RIGHT HANDED DOORS  
INSIDE OUTSIDE



**Standard 2-3/4" Latch**



**Optional 2-3/8" Latch**



NOTE: Applicable for all functions except dummy

6605 Flotilla St.  
City of Commerce  
CA 90040 USA  
Tel: (323) 888-6601  
FAX: (323) 888-6699  
Website: cal-royal.com  
Email: sales@cal-royal.com

ITEM NO.	DESCRIPTION	ANSI	SCALE	UNIT	VERSION
<b>BA</b>	BARRINGTON SERIES	A156.2 Grade 2	1 : 1	inches (mm)	ver. 1.0 rev. 04/12
			PAGE 1 OF 1		<b>BY:</b> bteves/sac