



# BUILDERS HARDWARE

## LIST PRICES

October 2017



**CAL-ROYAL PRODUCTS, INC.**  
6605 Flotilla St., Commerce,  
California 90040 USA

TEL: (323) 888-6601 FAX: (323) 888-6699  
Website: [www.cal-royal.com](http://www.cal-royal.com)  
Email: [sales@cal-royal.com](mailto:sales@cal-royal.com)

## TABLE OF CONTENTS

### I. NUMBERS AND LETTERS

House Letters (A-E), Diecast.....	DH1
House Letters (A-F), Diecast.....	DH1
House Number 0-9, Diecast.....	DH1
Letters A-F, Solid Brass.....	DH1
Letters A-Z, Solid Brass.....	DH1
Number 0-9, Solid Brass.....	DH1

### II. MISCELLANEOUS DOOR AND WINDOW HARDWARE

Window Casement Fasteners.....	DH2
ASA Blank Filler Plate.....	DH3
Door Silencers.....	DH3
Latch Guard Protectors.....	DH3
Heavy Duty Roller Catch.....	DH3

### III. STRIKES

Template ASA Strikes.....	DH2
Extended Lip ANSI Strikes.....	DH2
Flat Strikes.....	DH2
Optional T-Strike for ARL-1338.....	DH3
Security Strikes, Heavy Duty.....	DH2
Security Strikes, Deadbolts.....	DH2
Drive in Thimble Strikes.....	DH2
Strike Filler.....	DH3
Brass Dust Proof Strikes.....	DH3
Strike for Privacy SDL 16.....	DH10
Strike for MB85R and MB86S.....	DH13
Strike for FBG6 and FBGEX12.....	DH13
Strike for MF6341.....	DH14

### IV. KICK / ARMOR AND PUSH / PULL PLATES

Armor Plates.....	DH4
Kick Plates.....	DH4
Push Plates.....	DH4-DH5
Pull Plates.....	DH4-DH5

### V. DOOR PULLS

Solid Bar Round Pulls.....	DH6
Solid Bar Handle Pulls.....	DH6
Solid Bar Handle Pulls, Ellipse.....	DH6
Door Pulls, Heavy Cast Aluminum.....	DH6

### VI. DOOR KNOCKERS / DOOR VIEWERS

Door Knockers, Solid Brass.....	DH7
Door Knocker with Viewers.....	DH7
Door Viewers, Brass.....	DH7
Door Viewers, UL.....	DH8
Door Viewers, UL Privacy.....	DH8
Door Viewer Covers.....	DH8
Electronic Digital Door Viewers.....	DH8

### VII. DOOR GUARDS

Privacy Door Latch.....	DH9
Solid Brass Chain Door Guards.....	DH9
Swing Bar Door Guards, Zinc Diecast.....	DH9
Swing Bar Door Guards, Diecast.....	DH9
Swing Bar Door Guards, Solid Brass with Angle Protector...	DH9

### VII. DOOR GUARDS

Door Angle Protector.....	DH9
Door Guard Shim.....	DH9

### VIII. SLIDING DOOR LOCKS

Privacy Sliding Door Locks, Heavy Duty.....	DH10
Passage Sliding Door Locks, Heavy Duty.....	DH10
Privacy Sliding Door Locks.....	DH10-DH11
Passage Sliding Door Locks.....	DH10-DH11
Dummy Sliding Door Locks.....	DH11

### IX. SECURITY BOLTS

Decorative Dutch Door Bolts, Solid Brass.....	DH12
Surface Bolts, Decorative Heavy Duty Angle Strike..	DH12
Surface Bolts, Brass.....	DH12
Surface Bolts, Decorative.....	DH12
Surface Bolt, UL-Listed 8".....	DH13
Surface Mounted, UL-Listed 8", 12".....	DH14

### X. FLUSH BOLTS

#### SECURITY FLUSH BOLTS

Solid Brass Flush Bolt Round Ends.....	DH12
Solid Brass Flush Bolt Square Ends.....	DH12
Flip Style Mortise Flush Bolt, 18" Extension Rods...	DH13
Flip Style Mortise Flush Bolts.....	DH13
Single Route Extension Flush Bolt, Solid Brass.....	DH13
Single Route Flush Bolt, Solid Brass.....	DH13
Lever Extension Flush Bolts, UL-Listed Solid Brass...	DH14
Commercial Manual Flush Bolt, Stamped Brass.....	DH14

#### AUTO FLUSH BOLTS

Metal Door Automatic Flush Bolts.....	DH15
Wood Door Automatic Flush Bolts.....	DH15

#### COMBINATION FLUSH BOLTS

Metal Door Self-Latching Flush Bolts.....	DH16
Wood Door Self-Latching Flush Bolts.....	DH16

#### UNIVERSAL FLUSH BOLTS

Metal and Wood Door Universal Flush Bolts.....	DH17
--	------

### XI. DOOR COORDINATORS

Gravity Coordinators, UL.....	DH18
Coordinators with Filler Bars, UL.....	DH18
Carry Bars.....	DH18
Mounting Brackets.....	DH18

### XII. HANDRAIL BRACKETS

Handrail Brackets, Jumbo Heavy Duty.....	DH19
Handrail Brackets, Heavy Duty Cast Aluminum.....	DH19
Handrail Brackets, Heavy Duty Cast.....	DH19
ADA-Approved Handrail Brackets, Heavy Duty Cast..	DH19

### XIII. DOOR STOPS

#### WALL DOOR STOPS / BUMPERS

Concave Wall Stops, Stainless Steel.....	DH20
Convex Wall Stops, Stainless Steel.....	DH20
Convex Wall Stops, Solid Brass.....	DH20
Commercial Grade Heavy Duty Wall Door Stops...	DH20
Curved Roller Stops, Solid Brass.....	DH20

**TABLE OF CONTENTS**

**XIII. DOOR STOPS**

**WALL DOOR STOPS / BUMPERS**

Straight Roller Stop, Solid Brass.....	DH20
Rigid Door Stops, Solid Brass.....	DH20
Flexible Door Stops.....	DH21
Rigid Door Stops, Cast.....	DH21
Flexible Snap on Door Stops, Heavy Duty.....	DH21
Flexible Door Stops, Heavy Duty.....	DH21
Spring Door Stop, Jumbo Heavy Duty.....	DH21
Rigid Door Stops, Diecast Jumbo.....	DH21
Wall Door Stops, Stainless Steel.....	DH21

**FLOOR DOOR STOPS**

Commercial Grade Floor Door Stops, Heavy Duty.....	DH22
Security Door Stops.....	DH22
Goose Neck Floor Stops.....	DH22
Small Goose Neck Floor Stops.....	DH22
Dome Stops, Solid Brass.....	DH22
Dome Stops, Heavy Duty Cast Brass.....	DH23
Risers for Dome Stops.....	DH23
Stainless Steel, Floor Stops.....	DH23

**DOOR HOLDER / STOPS**

Kick Down Door Holders, Solid Brass.....	DH24
Kick Down Door Holders, Zinc Diecast.....	DH24
Vinyl Rubber Stops.....	DH24
Kick Down Door Holders, Cast Iron.....	DH24
Commercial Grade Door Stops, Heavy Duty.....	DH24

**HINGE PIN DOOR STOPS**

Hinge Pin Door Stops, Jumbo Heavy Duty.....	DH25
Hinge Pin Door Stops, Jumbo.....	DH25
Hinge Pin Door Stops, Deluxe.....	DH25
Hinge Pin Stops, Light Duty.....	DH25
Hinge Pin Stops, Heavy Duty.....	DH25
Hinge Pin Door Stops.....	DH25

**XIV. CLOSET HARDWARE**

**CLOSET ROD & SHELF SUPPORTS**

Adjustable Closet Rods.....	DH26
Adjustable Shelf and Rod Support.....	DH26
Adjustable Shelf Support Only.....	DH26
Single Shelf & Rod Support.....	DH26
Heavy Duty Shelf & Rod Support.....	DH26
Oval Closet Rods.....	DH26

**POLE SOCKETS**

Closet Pole Sockets.....	DH26
Steel Closet Pole Sockets.....	DH27
Wood Closet Pole Sockets.....	DH27

**CATCH AND LATCHES**

Jumbo Roller Catch.....	DH27
Adjustable Ball Catch, Solid Brass.....	DH27
Adjustable Ball Catch with Full Lip.....	DH27
Adjustable Drive-In Ball Catch.....	DH27
Adjustable Roller Latch.....	DH27
Bullet Catch.....	DH28
T-Strike for Bullet Catch.....	DH28

**XIV. CLOSET HARDWARE**

**CATCH AND LATCHES**

Magnetic Dual Triple Pole Catch, Heavy Duty.....	DH28
Magnetic Triple Pole Catch.....	DH28

**COAT AND HAT HOOKS.....**

DH28

**PULLS**

Solid Brass Drawer Pulls.....	DH28
Bi-Fold Ball Knob Pulls.....	DH28
Bi-Fold Ball Knob Back Plates.....	DH28
Bi-Fold Concave Knob Beveled Edge Pulls.....	DH28
Drive in Finger Pulls.....	DH28

**XV. SURFACE OVERHEAD DOOR**

**HOLDER & STOPS**

Surface Overhead Door Holder with Hold Open.....	DH29
Surface Overhead Door Stop only UL-Listed.....	DH29

**XVI. DOUBLE-ACTING FLOOR SPRING HINGE... DH29**

**XVII. CRASH CHAIN AND BOLTS**

Single Spring Crash Chain Doors.....	DH29
Super Heavy Duty Chain Doors.....	DH29
24" Chain Bolt Hardened Steels.....	DH29

**XVIII. SIGNS**

**HANDICAP RESTROOM SIGNS (ADA) WITH BRAILLE**

Boys Signs.....	DH30-DH31
Girls Signs.....	DH30-DH31
Men Signs.....	DH30-DH31
Unisex Restroom Signs.....	DH30-DH31
Women Signs.....	DH30-DH31
No Smoking Signs.....	DH30
Exit Signs.....	DH30
Restroom Signs.....	DH30

**DECALS AND STICKERS**

Blue Insignia Handicap Logos.....	DH31
Blue Square Plastic Sign & Handicap Logos.....	DH31
These doors ... unlocked during business hours.....	DH31
These doors..unlocked when building is occupied.....	DH31
This door... unlocked during business hours.....	DH31
This door ... unlocked when building is occupied.....	DH31

**CALIFORNIA-APPROVED RESTROOM SIGNS WITH BRAILLE**

Men Signs.....	DH32
Women Signs.....	DH32
Handicap Accessible Signs.....	DH32
Unisex Restroom Handicap Signs.....	DH32
Restroom Signs.....	DH32
Exit Signs.....	DH32

**XIX. SLIDING DOOR HARDWARE**

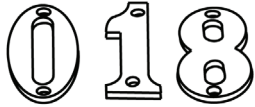

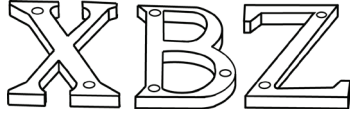

**STAINLESS STEEL DOOR HARDWARE (SDH SERIES)**

SDH Series for Wood Doors.....	DH33
SDH Series for Wood and Glass Doors.....	DH33-DH34

**BLACK BARN DOOR HARDWARE (BDH SERIES)**

BDH Series for Wood Doors.....	DH35
--------------------------------	------

**SOLID BRASS NUMBERS AND LETTERS**

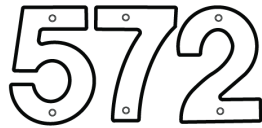
ILLUSTRATION	ITEM NO	DESCRIPTION	FINISH	INNER QTY	MASTER QTY
	SBN2	2" Solid Brass Numbers 0-9 Thickness: 3/16"	US3	10	200
	SBN3	3" Solid Brass Numbers 0-9	US3	10	100
	SBN4	4" Solid Brass Numbers 0-9 Thickness: 3/16"	US3	10	100
	SBL2	2" Solid Brass Letters A-Z	US3	10	200
	SBL3	3" Solid Brass Letters A-Z	US3	10	100
	SBL4	4" Solid Brass Letters A-Z Thickness: 7/32"	US3	10	100
	SBN3	3" Solid Brass Numbers 0-9 Thickness: 3/16"	US15, 10B	20	200
	SBL3	3" Solid Brass Letters A-F Thickness: 7/32"	US15, 10B	20	200
	SBN4	4" Solid Brass Numbers 0-9 Thickness: 3/16"	US15, 10B, 26	20	200
	SBL4	4" Solid Brass Letters A-F Thickness: 7/32"	US15, 10B, 26	10	100



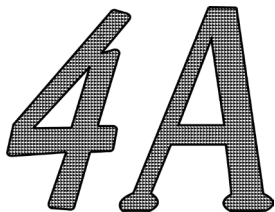
SBN8	8" Solid Brass Numbers 0-9 Thickness: 9/32"	US3	5	50
------	--	-----	---	----

**SBN8 AVAILABLE WHILE SUPPLIES LAST**

**DIECAST NUMBERS & LETTERS**

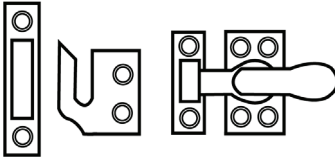
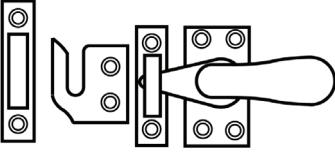
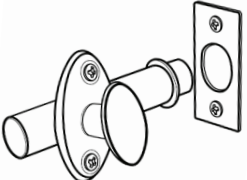
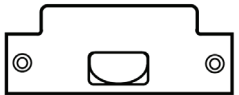
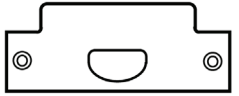
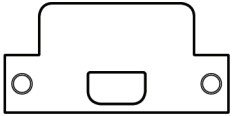
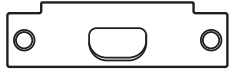
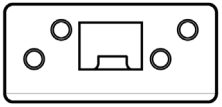
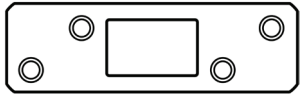
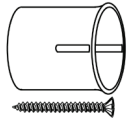


ZN5	5" Diecast Numbers 0-9 Thickness: 7/32"	US3, 15, 10B	50	100
-----	--	--------------	----	-----


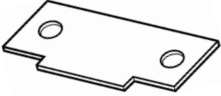

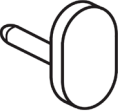

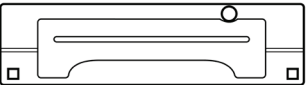
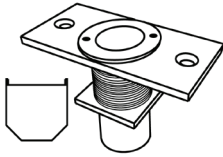
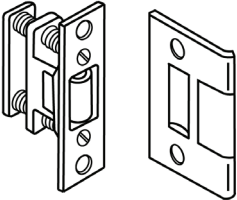
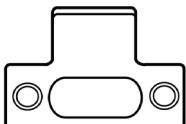


PN20BK	4" Diecast House Number (0-9) and Letters (A-F) Packed with Nails. Affix number or letter to be ordered with Item code. E.g. "PN20BK 4" to order (4) in black finish. Thickness: 3/32"	Black	100	1000
PN20US3	4" Diecast House Number (0-9) and Letters (A-E) Packed with Nails. Affix number or letter to be ordered with Item code. E.g. "PN20US3 4" to order (4) in US3 finish. Thickness: 3/32"	US3	100	1000

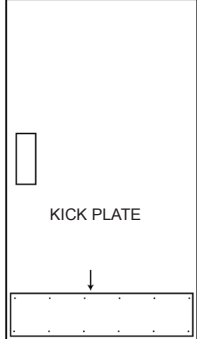
## MISCELLANEOUS DOOR AND WINDOW HARDWARE

ILLUSTRATION	ITEM NO	DESCRIPTION	FINISH	INNER QTY	MASTER QTY
	SBCF222	Window Casement Fasteners, Solid Brass (1 5/8" x 7/8", Projection 1 3/8")	US3, 5, 10B, US15, 15A, US19, 26, 26D	20	100
	SBCF333	Window Casement Fasteners, Solid Brass (2 1/16" x 1 1/16", Projection 1 7/8")	US3, 5, 10B, US15, 15A, US19, 26, 26D	10	100
	DL402361	Door / Window Casement Security Latch Lock Bolt Projection: 1/2" Escutcheon Dimension: 7/8" x 1 11/16" Thumbturn: 5/8" x 1" Strike: 7/8" x 1 3/4"	US3, 5, 10B, US15, 26, 26D	20	200
	ASA478	Template ASA Strike (4 7/8" x 3 3/8" x 1 1/4"), <b>Stainless Steel</b>	US32D	1	100
		Template ASA Strike (4 7/8" x 3 3/8" x 1 1/4"), <b>Solid Brass</b>	US3, 10, 10B US26		
	ASAST	Template ASA Strike (4 7/8" x 3 3/8" x 1 1/4"), <b>Steel Base</b>	US3, 26, 26D	1	100
			US10, 10B		
	EXASA-175	Extended Lip ANSI Strike (4 7/8" x 3 3/8" x 1 1/4"), <b>Stainless Steel</b> 1 3/4" Lip Extension from Screw Center Line	US32D, DURO	1	100
	FLAST-46	Flat Strike (4 7/8" x 3 3/8" x 1 1/4"), <b>Stainless Steel</b> 4 1/8" CTC	US32D, 10B	1	100
	SDTP3625	Heavy Duty Security Strike Size: 3 5/8" x 1 7/8" Individually poly-bagged with 2 pcs #10 x 3/4" Wood Screws	US3, 10B, 15, US15A, 26	1	200
	SS114358	Deadbolt Security Strike Size: 3 5/8" x 1 1/4", 1/4" Rad. Packed with 2 pcs #12 x 3" and 2 pcs #12 x 1 1/4" Wood Screws	US3, 5, 10B US15, 26D	50	300
	DTS80	Drive In Thimble Strike Length: 1 1/8" Diameter 1"	Zinc	100	200

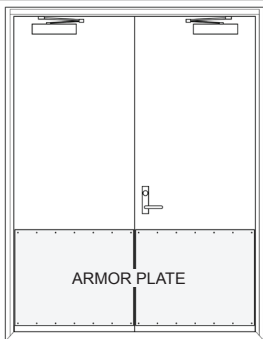
## MISCELLANEOUS DOOR AND WINDOW HARDWARE



ILLUSTRATION	ITEM NO	DESCRIPTION	FINISH	INNER QTY	MASTER QTY
	ASA-FP	ASA Blank Filler Plate Used for Door Frames Dimensions: 1 1/4" x 4 7/8"	---	1	100
	SF	Strike Filler Used for Door Frames Dimensions: 1 1/4" x 4 7/8" 1 5/8" at Lip Thickness: 10 Ga.	---	1	150
	DSM21	Door Silencer 1/2" Dia. 1/2" Length For Metal Frames ANSI / BHMA LO3011	Rubber	200 / Bag	10,000
	DSW85	Door Silencer 3/8" x 3/4" Base, 3/4" Length For Wood Frames ANSI / BHMA LO3021	Rubber	200 / Bag	10,000
	LPG2	Latch Guard Protector Size: 2 7/8" x 11"	USP, ALUM, DURO, GOLD	10	60
	GJLPG2	Latch Guard Protector Size: 3" x 11 1/2" Similar to Glynn Johnson #LP1	US32D	10	60
	DPSTRK1	Brass Dust proof Strike Face Plate: 1 3/8" x 2 7/8" ANSI / BHMA LO4021	US3, 10B, 26, US26D	10	100
	ARL-1338	Heavy Duty Roller Catch Adjustable Nylon Roller With Square Heavy Duty Cast 2 1/4" Full Lip Strike: Size: 1/8" x 1" x 3 3/8", Depth: 1 13/16" ANSI / BHMA:E09091	US3, 5, 10B, US15, 15A, US19, 26, US26D	10	100
	ARLTSTRK62	Optional T-Strike for Heavy Duty Roller Catch ARL1338 Size: 2 3/4" x 1 1/2" x 1 3/4"	US3, 5, 10B, US15, 15A, 19 US26, 26D	1	1

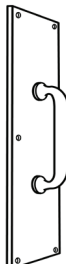
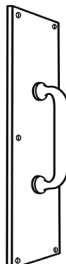
## KICK / ARMOR AND PUSH / PULL PLATES

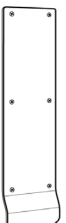
ILLUSTRATION	ITEM NO	DESCRIPTION	FINISH	INNER QTY	MASTER QTY
	BKICK834	Metal Kick Plates with Screws	US32D	1	10
	KICK834	Size: .050" x 8" x 34"	US10B		
	AKICK834	Metal Kick Plates with Screws	US32D	1	10
	BKICK1034	Size: .040" x 8" x 34"	US10B		
	KICK1034	Metal Kick Plates with Screws	US32D	1	10
	AKICK1034	Size: .050" x 10" x 34"	US10B		
	BKICK1046	Stainless Steel Kick Plates with Screws	US32D	1	8
	KICK1046	Size: .050" x 10" x 46"	US10B		
	BKICK1234	Stainless Steel Kick Plate with Screws	US32D	1	10
	KICK1234	Size: .050" x 12" x 34"	US10B		

PRICES ON STAINLESS STEEL KICK PLATES ARE SUBJECT TO CHANGE WITHOUT NOTICE. PLEASE INQUIRE CURRENT PRICE BEFORE ORDERING

	ANO634	Aluminum Kick Plate With Screws	US3/4	1	50
		Size: 0.32" x 6" x 34"	US10B, 15		
	ANO834	Aluminum Kick Plate With Screws	US3/4	1	50
		Size: 0.32" x 8" x 34"	US10B, 15		
	ANO1034	Aluminum Kick Plate With Screws	US3/4	1	20
		Size: 0.32" x 10" x 34"	US10B, 15		
BARM3434	Stainless Steel Armor Plates	US32D	1	3	
	Size: .050" x 34" x 34"				
(\$25.00 NET PALLET CHARGE FOR ORDERS With 5 PIECES OR LESS)					
BARM3436	Stainless Steel Armor Plates	US32D	1	3	
	Size: .050" x 34" x 36"				
(\$25.00 NET PALLET CHARGE FOR ORDERS With 5 PIECES OR LESS)					

	PSPL3515	Push Plate Size 0.050" x 3 1/2" x 15" Packed with Protective Film and Screws	US32D	1	60
			US3		
	PSPL4016	Push Plate Size 0.050" x 4" x 16" Packed with Protective Film and Screws ANSI / BHMA J301	US32D	1	60
			US3		

	PULPL3515	Pull Plate Size: 0.050" x 3 1/2" x 15" Packed with Solid Brass 6" Handle, Fasteners and Washers. One piece mounted.	US32D, 3	1	6
			US10, 10B, US4, 5, 26 ANSI / BHMA J102		
	PULPL4016	Pull Plate Size: 0.050" x 4" x 16" Packed with Solid Brass 6" Handle, Fasteners and Washers. One piece mounted.	US32D, 3	1	6
			US10, 10B, US4, 5, 26		

	CMBOPUL3516	Stainless Steel Push / Pull Plate Plate: 3 9/16" X 16 5/16" Projection : 1 1/8" (29 mm) Gauge: 0.125" (3.5 mm) BHMA: J303 Fasteners: Six (6) #6 x 5/8" OPH tapping screws	US32D	10	50
---	-------------	---	-------	----	----

**NEW ITEM**

## PUSH / PULL PLATES

ILLUSTRATION	ITEM NO	DESCRIPTION	SIZES	FINISHES		
	1000	Solid Bar Round Pull Plates 3/4" diameter	3.5" x 15"	US32D	US3	US10B
	1001		4' x 16"	US32D	US3	US10B
	1001ADA*	6" CTC	2 5/8" Proj.	US32D	--	--
	1002	Solid Bar Round Pull Plates 3/4" diameter	3.5" x 15"	US32D	US3	US10B
	1003		4' x 16"	US32D	US3	US10B
	1003ADA*	8" CTC	2 5/8" Proj.	US32D	--	--
	1004	Solid Bar Round Pull Plates 1" diameter	3.5" x 15"	US32D	US3	US10B
	1005		4' x 16"	US32D	US3	US10B
	1005ADA*	8" CTC	2 7/8" Proj.	US32D	--	--
	1006	Solid Bar Round Pull Plates 1" diameter	3.5" x 15"	US32D	US3	US10B
	1007		4' x 16"	US32D	US3	US10B
	1007ADA*	10" CTC	2 7/8" Proj.	US32D	--	--

\*ADA - Americans with Disabilities Act Approved

Clearance from plate to handle: ADA: 1 7/8"; Non-ADA: 1 1/2"; 1 Pcs / Inner Box; 10 Pcs / Master Carton

### STAINLESS STEEL PULL PLATE

Stainless Steel Pull Plate with 3/4" "PULL" engraved in black color.

ILLUSTRATION	ITEM NO	PULL BAR			PLATE				PACKING	
		DIA.	CTC	PROJ.	WIDTH	LENGTH	THICK	FINISH	BOX	CASE
	PULL1000	3/4"	6"	2 1/4"	3 1/2"	15"	0.050"	US32D	10	50
	PULL1001ADA*			2 5/8"						
	PULL1003ADA*		8"	4"	16"					
	PULL1005ADA*	10"				2 7/8"				
	PULL1007ADA*		1"	5.5"	1 3/4"					
	PULL001	ELLIPSE BAR	5.5"	1 3/4"	4"	16"				
	PULL002									

Fasteners:  
 Round Pull Bar Plates: (6) #6 x 1/2" SS screws; (2) # 1/4" - 20 x 2 1/2" Steel screws; (2) Steel washers  
 Ellipse Pull Bar Plates: (6) #6 x 1/2" SS screws; (2) # 10-32 x 2 1/4" Steel screws; (2) Steel washers

### STAINLESS STEEL PUSH PLATE

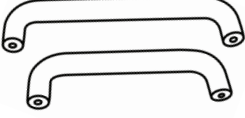
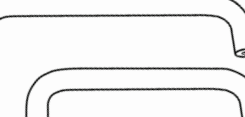

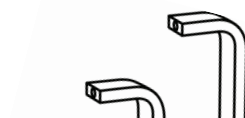
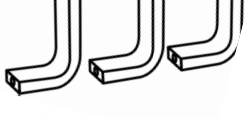


Stainless Steel Push Plate with 3/4" "PUSH" engraved in black color.

ILLUSTRATION	ITEM NO	DESCRIPTION	SIZE	FINISHES	PACKING	
					BOX	CASE
	PUSH003	Push Plate with 3/4" "PUSH" engraved in black	3 1/2" x 15"	US32D	10	50
	PUSH004		4" x 16"			

\*ADA - Americans with Disabilities Act Approved


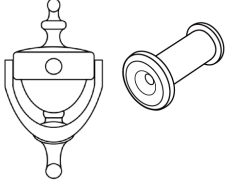

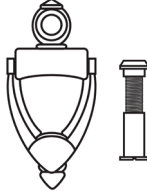
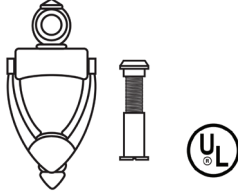
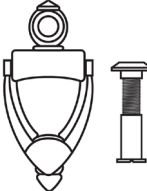
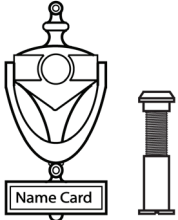
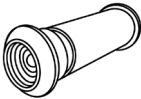

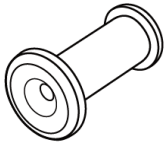


## DOOR PULLS


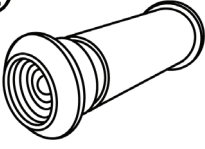

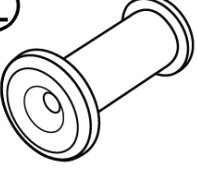



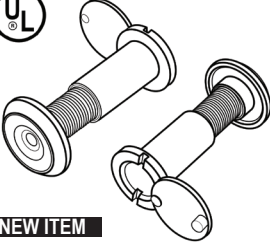

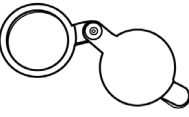
ILLUSTRATION	ITEM NO	DESCRIPTION	FINISH	INNER QTY	MASTER QTY
	PUL200	Solid Bar Round Pull 1" diameter, 10" CTC Projection: 2 1/2"	US3	1	10
	PUL201		US32D		
	PUL202	Solid Bar Round Pull 3/4" diameter, 10" CTC Projection: 2 1/4"	US3	1	10
	PUL203		US32D		
	PUL204	Solid Bar Round Pull 3/4" diameter, 8" CTC Projection: 2 1/4"	US3	1	10
	PUL205		US10B		
	PUL206	Solid Bar Round Pull 3/4" diameter, 6" CTC Projection: 2 1/4"	US32D	1	10
	PUL207		ALUM		
	PUL208	Solid Bar Round Pull 3/4" diameter, 5 1/2" CTC Projection: 2 1/4"	US3	1	10
	PUL209		US15		
	PUL210	Solid Bar Round Pull 5/8" diameter, 5 1/2" CTC Projection: 2"	US10B	1	10
	PUL211		US32D		
	PUL212	Solid Bar Round Pull 5/8" diameter, 6" CTC Projection: 2 1/4"	US3	1	10
	PUL213		US10B		
	PUL214	Solid Bar Round Pull 3/4" diameter, 8" CTC Projection: 2 1/4"	US15	1	10
	PUL215		US26		
	PUL216	Solid Bar Round Pull 3/4" diameter, 10" CTC Projection: 2 1/4"	US28	1	10
	PUL217		US3		
	PUL218	Solid Bar Round Pull 3/4" diameter, 10" CTC Projection: 2 1/4"	US3	1	10
	PUL219		US10B		
	PUL220	Solid Bar Round Pull 3/4" diameter, 8" CTC Projection: 2 1/4"	US15	1	10
	PUL221		US26		
	PUL222	Solid Bar Round Pull 3/4" diameter, 6" CTC Projection: 2 1/4"	US3	1	10
	PUL223		US10B		
	PUL224	Solid Bar Round Pull 3/4" diameter, 5 1/2" CTC Projection: 2 1/4"	US15	1	10
	PUL225		US26		
	PUL226	Solid Bar Round Pull 3/4" diameter, 5 1/2" CTC Projection: 2"	US3	1	10
	PUL227		US10B		
	PUL228	Solid Bar Round Pull 5/8" diameter, 5 1/2" CTC Projection: 2"	US32D	1	10
	PUL229		ALUM		
	PUL230	Solid Bar Round Pull 5/8" diameter, 5 1/2" CTC Projection: 2"	US3	1	10
	PUL231		US10B		
	PUL232	Solid Bar Round Pull 5/8" diameter, 6" CTC Projection: 2"	US15	1	10
	PUL233		US26		
	PUL234	Solid Bar Round Pull 5/8" diameter, 6" CTC Projection: 2"	US28	1	10
	PUL235		US3		
	PUL236	Solid Bar Round Pull 5/8" diameter, 8" CTC Projection: 2"	US3	1	10
	PUL237		US10B		
	PUL238	Solid Bar Round Pull 5/8" diameter, 8" CTC Projection: 2"	US15	1	10
	PUL239		US26		
	PUL240	Solid Bar Round Pull 5/8" diameter, 10" CTC Projection: 2"	US28	1	10
	PUL241		US3		
	PUL242	Solid Bar Round Pull 5/8" diameter, 10" CTC Projection: 2"	US3	1	10
	PUL243		US10B		
	PUL244	Solid Bar Round Pull 5/8" diameter, 10" CTC Projection: 2"	US15	1	10
	PUL245		US26		
	PUL246	Solid Bar Round Pull 5/8" diameter, 10" CTC Projection: 2"	US28	1	10
	PUL247		US3		
	PUL248	Solid Bar Round Pull 5/8" diameter, 10" CTC Projection: 2"	US3	1	10
	PUL249		US10B		
	PUL250	Solid Bar Round Pull 5/8" diameter, 10" CTC Projection: 2"	US15	1	10
	PUL251		US26		
	PUL252	Solid Bar Round Pull 5/8" diameter, 10" CTC Projection: 2"	US28	1	10
	PUL253		US3		
	PUL254	Solid Bar Round Pull 5/8" diameter, 10" CTC Projection: 2"	US3	1	10
	PUL255		US10B		
	PUL256	Solid Bar Round Pull 5/8" diameter, 10" CTC Projection: 2"	US15	1	10
	PUL257		US26		
	PUL258	Solid Bar Round Pull 5/8" diameter, 10" CTC Projection: 2"	US28	1	10
	PUL259		US3		
	PUL260	Solid Bar Round Pull 5/8" diameter, 10" CTC Projection: 2"	US3	1	10
	PUL261		US10B		
	PUL262	Solid Bar Round Pull 5/8" diameter, 10" CTC Projection: 2"	US15	1	10
	PUL263		US26		
	PUL264	Solid Bar Round Pull 5/8" diameter, 10" CTC Projection: 2"	US28	1	10
	PUL265		US3		
	PUL266	Solid Bar Round Pull 5/8" diameter, 10" CTC Projection: 2"	US3	1	10
	PUL267		US10B		
	PUL268	Solid Bar Round Pull 5/8" diameter, 10" CTC Projection: 2"	US15	1	10
	PUL269		US26		
	PUL270	Solid Bar Round Pull 5/8" diameter, 10" CTC Projection: 2"	US28	1	10
	PUL271		US3		
	PUL272	Solid Bar Round Pull 5/8" diameter, 10" CTC Projection: 2"	US3	1	10
	PUL273		US10B		
	PUL274	Solid Bar Round Pull 5/8" diameter, 10" CTC Projection: 2"	US15	1	10
	PUL275		US26		
	PUL276	Solid Bar Round Pull 5/8" diameter, 10" CTC Projection: 2"	US28	1	10
	PUL277		US3		
	PUL278	Solid Bar Round Pull 5/8" diameter, 10" CTC Projection: 2"	US3	1	10
	PUL279		US10B		
	PUL280	Solid Bar Round Pull 5/8" diameter, 10" CTC Projection: 2"	US15	1	10
	PUL281		US26		
	PUL282	Solid Bar Round Pull 5/8" diameter, 10" CTC Projection: 2"	US28	1	10
	PUL283		US3		
	PUL284	Solid Bar Round Pull 5/8" diameter, 10" CTC Projection: 2"	US3	1	10
	PUL285		US10B		
	PUL286	Solid Bar Round Pull 5/8" diameter, 10" CTC Projection: 2"	US15	1	10
	PUL287		US26		
	PUL288	Solid Bar Round Pull 5/8" diameter, 10" CTC Projection: 2"	US28	1	10
	PUL289		US3		
	PUL290	Solid Bar Round Pull 5/8" diameter, 10" CTC Projection: 2"	US3	1	10
	PUL291		US10B		
	PUL292	Solid Bar Round Pull 5/8" diameter, 10" CTC Projection: 2"	US15	1	10
	PUL293		US26		
	PUL294	Solid Bar Round Pull 5/8" diameter, 10" CTC Projection: 2"	US28	1	10
	PUL295		US3		
	PUL296	Solid Bar Round Pull 5/8" diameter, 10" CTC Projection: 2"	US3	1	10
	PUL297		US10B		
	PUL298	Solid Bar Round Pull 5/8" diameter, 10" CTC Projection: 2"	US15	1	10
	PUL299		US26		
	PUL300	Solid Bar Round Pull 5/8" diameter, 10" CTC Projection: 2"	US28	1	10
	PUL301		US3		
	PUL302	Solid Bar Round Pull 5/8" diameter, 10" CTC Projection: 2"	US3	1	10
	PUL303		US10B		
	PUL304	Solid Bar Round Pull 5/8" diameter, 10" CTC Projection: 2"	US15	1	10
	PUL305		US26		
	PUL306	Solid Bar Round Pull 5/8" diameter, 10" CTC Projection: 2"	US28	1	10
	PUL307		US3		
	PUL308	Solid Bar Round Pull 5/8" diameter, 10" CTC Projection: 2"	US3	1	10
	PUL309		US10B		
	PUL310	Solid Bar Round Pull 5/8" diameter, 10" CTC Projection: 2"	US15	1	10
	PUL311		US26		
	PUL312	Solid Bar Round Pull 5/8" diameter, 10" CTC Projection: 2"	US28	1	10
	PUL313		US3		
	PUL314	Solid Bar Round Pull 5/8" diameter, 10" CTC Projection: 2"	US3	1	10
	PUL315		US10B		
	PUL316	Solid Bar Round Pull 5/8" diameter, 10" CTC Projection: 2"	US15	1	10
	PUL317		US26		
	PUL318	Solid Bar Round Pull 5/8" diameter, 10" CTC Projection: 2"	US28	1	10
	PUL319		US3		
	PUL320	Solid Bar Round Pull 5/8" diameter, 10" CTC Projection: 2"	US3	1	10
	PUL321		US10B		
	PUL322	Solid Bar Round Pull 5/8" diameter, 10" CTC Projection: 2"	US15	1	10
	PUL323		US26		
	PUL324	Solid Bar Round Pull 5/8" diameter, 10" CTC Projection: 2"	US28	1	10
	PUL325		US3		
	PUL326	Solid Bar Round Pull 5/8" diameter, 10" CTC Projection: 2"	US3	1	10
	PUL327		US10B		
	PUL328	Solid Bar Round Pull 5/8" diameter, 10" CTC Projection: 2"	US15	1	10
	PUL329		US26		
	PUL330	Solid Bar Round Pull 5/8" diameter, 10" CTC Projection: 2"	US28	1	10
	PUL331		US3		
	PUL332	Solid Bar Round Pull 5/8" diameter, 10" CTC Projection: 2"	US3	1	10
	PUL333		US10B		
	PUL334	Solid Bar Round Pull 5/8" diameter, 10" CTC Projection: 2"	US15	1	10
	PUL335		US26		
	PUL336	Solid Bar Round Pull 5/8" diameter, 10" CTC Projection: 2"	US28	1	10
	PUL337		US3		
	PUL338	Solid Bar Round Pull 5/8" diameter, 10" CTC Projection: 2"	US3	1	10
	PUL339		US10B		
	PUL340	Solid Bar Round Pull 5/8" diameter, 10" CTC Projection: 2"	US15	1	10
	PUL341		US26		
	PUL342	Solid Bar Round Pull 5/8" diameter, 10" CTC Projection: 2"	US28	1	10
	PUL343		US3		
	PUL344	Solid Bar Round Pull 5/8" diameter, 10" CTC Projection: 2"	US3	1	10
	PUL345		US10B		
	PUL346	Solid Bar Round Pull 5/8" diameter, 10" CTC Projection: 2"	US15	1	10
	PUL347		US26		
	PUL348	Solid Bar Round Pull 5/8" diameter, 10" CTC Projection: 2"	US28	1	10
	PUL349		US3		
	PUL350	Solid Bar Round Pull 5/8" diameter, 10" CTC Projection: 2"	US3	1	10
	PUL351		US10B		

**NEW ITEM**

## DOOR KNOCKERS AND VIEWERS

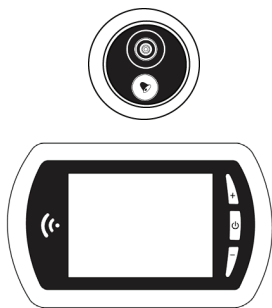
ILLUSTRATION	ITEM NO	DESCRIPTION	FINISH	INNER QTY	MASTER QTY
	SBDK356	Solid Brass Door Knocker Size: 3" x 6 3/8" Screw Holes: 4 1/8" CTC Similar to IVES#312	US3, 5, 10B, US15, 15A, US26, 26D	10	50
	SBDK / DV180	Solid Brass Door Knocker With 180° Door Viewer, 9/16" Bore. Size: 3" x 6 3/8" Screw Holes: 4 1/8" CTC For Doors 1 3/8" to 1 3/4" Thick	US3	10	50
	SSBDK234	Solid Brass Door Knocker Size: 2 1/4" x 3 3/4" Screw Holes: 3 3/8" Similar to IVES#3102	US3  US15, 10B	20	200
	DK93 (Non UL)	Door Knocker With 160° Viewer, 1/2" Bore. Size 1 3/4" x 4" Screw Holes: 2 1/2" CTC For Doors 1 3/8" to 1 3/4" Thick	US3, 5, 26D, US15, 15A, US10B	24	240
	ULDK93 (UL Listed)	Door Knocker With 160° Viewer, 1/2" Bore, Size 1 3/4" x 4" Screw Holes: 2 1/2" CTC For Doors 1 3/8" to 1 3/4" Thick	US3, 5, 26D, US15	24	240
	DK94	Door Knocker With 180° Viewer, 9/16" Bore. Size 2 3/8" x 5 1/2" Screw Holes: 3 3/8" CTC For Doors 1 3/8" to 1 3/4" Thick. <b>Non UL.</b>	US3, 5, 26D, US15, 15A, US10B	12	120
	DKN95	Door Knocker With 160° Viewer Name Card. Size 2" x 4 3/4", Screw Holes: 3 3/8" CTC For Doors 1" to 1 3/4" Thick	US3,5	12	120
<b>DKN95 (US5) AVAILABLE WHILE SUPPLIES LAST</b>					
	DV90	Brass Door Viewer, 160°, 1/2" Bore, Plastic Lens For Doors 1 3/8" to 2 1/4" Thick. ANSI / BHMA L03172	US3, 5, US15, 10B, US26D, 26	24	600
	DV91	Brass Door Viewer, 180°, 1/2" Bore, Plastic Lens For Doors 1 3/8" to 2" Thick.	US3, 5, US15, 10B, US26D, 26	12	600
	DV180	Brass Door Viewer, 180°, 9/16" Bore, Plastic Lens For Doors 1 3/8" to 2" Thick. ANSI / BHMA L03171	US3, 5, US15, 15A, US26D, 26, US10B	12	600

## DOOR VIEWERS

ILLUSTRATION	ITEM NO	DESCRIPTION	FINISH	INNER QTY	MASTER QTY
 	ULDV160	<b>UL Listed</b> Door Viewer, 160°, 1/2" Bore; Glass Lens For Doors 1 3/8" to 2" Thick. BHMA LO3172	US3, 26, 26D, US10B, 10A, 15	25	1000
 	ULDV200	<b>UL Listed</b> Door Viewer, 200°, 9/16" Bore Glass Lens For Doors 1 3/8" to 2 1/4" Thick.	US3, 26, 26D, US10B, 10A, 15	25	500
 	10ULDV201	<b>UL Listed</b> Door Viewer, 200°, 9/16" Bore Glass Lens For Doors 1" to 1 3/8" Thick.	US3, 10B, US26D, 15	25	500
 	PRIULDV200	<b>UL Listed</b> Privacy Door Viewer UL fire rated for 20 minutes Heavy Duty Privacy Rotating Cover 200° Glass Lens 1" Head diameter 9/16" Bore Door Thickness: 1 3/8" - 2 1/4"	US3, 10B, US15, 26, 26D	25	500
	COV160	1/2" Door Viewer Cover. To be used with DV90, DV91, ULDV160 Door Viewers	US3, 10B, US15, 26D	100	1000
	COV200	9/16" Door Viewer Cover. To be used with DV180, ULDV200, ULDV201 Door Viewers	US3, 10B, US15, 26D	100	1000

**NEW ITEM**

## ELECTRONIC DIGITAL DOOR VIEWER



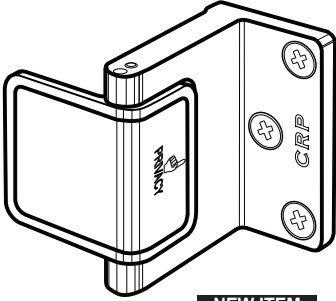
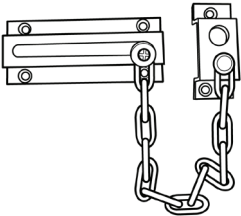
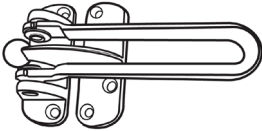
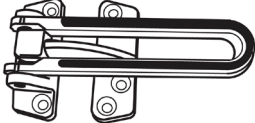
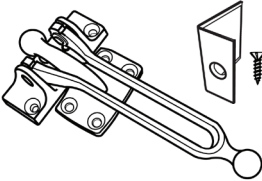



ELDVBEL150

- Dia. 1/2" ~ 1 1/8" (13mm ~ 29mm)  
Supported Existing Door Bores
- 3.5" TFT, (90mm) 320x240 resolution  
LCD Viewer Screen size
- Fully Integrated Digital Camera  
and LCD display
- Quick and Easy Installation
- Clear Large Image 0.3 Mega Pixels  
CMOS Resolution
- Easy Operation
- Convenient for Children and Elderly
- Provides Additional Privacy
- 3 X AA Batteries included
- 8.5oz (240g) Net Weight



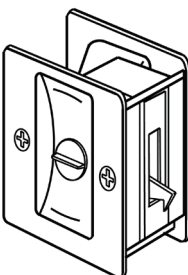

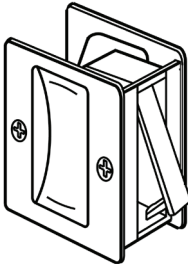
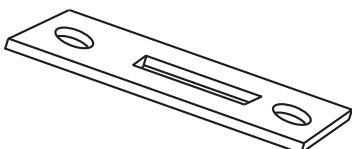
SILVER,  
DURO,  
GOLD

1 20

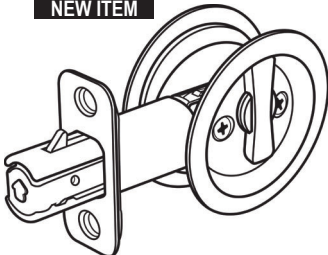
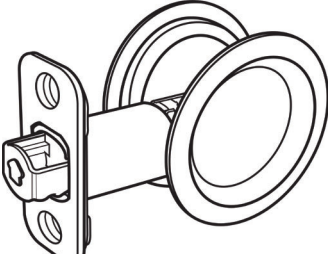
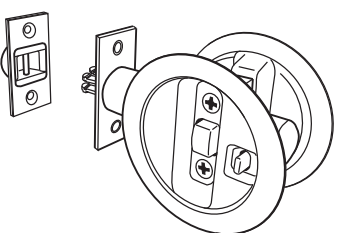
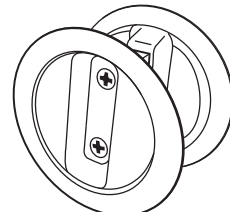
## DOOR GUARDS

ILLUSTRATION	ITEM NO	DESCRIPTION	FINISH	INNER QTY	MASTER QTY
 <p><b>NEW ITEM</b></p>	HPDL258	Privacy Door Latch Material: Zinc Die Cast Height: 2 1/8" Width (Base): 1 1/2" Weight: 0.65 lbs/unit Opening Angle: 87°	US26D, 26, US3, 4, 10B	10	50
	DG22	Solid Brass Chain Door Guard, 6 3/4" Chain BHMA LO3041	US3 <hr/> US5, 26	20	200
	BBDHG88	Zinc Diecast Swing Bar Door Guard <b>With Ball Bearing</b>	US3, 4, US5, 10B, US26, 26D	10	100
	PDG88	Diecast Swing Bar Door Guard <b>With Ball Bearing</b> and Protective Rubber Insert On Both Sides Of Arms	US3, 4, US26, 26D, US10B	10	100
	SBDG00	Solid Brass Door Guard Packed With Angle Protector. Comparable to IVES 482B, Arm length 4 3/4". <b>With Ball Bearing</b> ANSI / BHMA LO3041	US26D <hr/> US3, 26, US4, 10B	10	100
	DAP77	Door Angle Protector with Adhesive and Individual Screw for secure mounting. To be used with <b>BDHG88</b> and <b>PDG88</b> Door Guards.	US3, 4, 5, US26, 26D, US10B	1	200
	DGS39	Door Guard Shim to be used when face of door is recessed from face of jamb. Fits under door guard sector which attaches to door. To be used with <b>BBDHG88</b> and <b>PDG88</b> . 1/8" Thick.	Black	100	500
	DGS100	Door Guard Shim to be used when face of door is recessed from face of jamb. Fits under door guard sector which attaches to door. To be used with <b>SBDG00</b> . 1/8" Thick.	Black	100	500

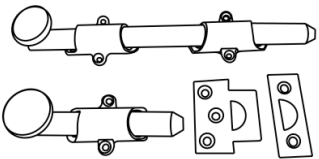

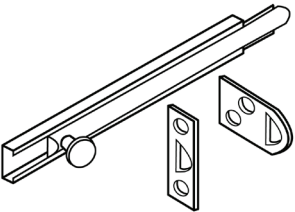
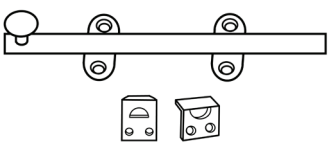
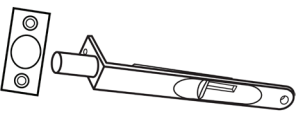
## SLIDING DOOR LOCKS

ILLUSTRATION	ITEM NO	DESCRIPTION	FINISH	INNER QTY	MASTER QTY
	PRIPDL21	Heavy Duty Privacy Sliding Door Lock Function, Standard Door Prep: 2 7/8" x 1 3/4" Can be used on 1 3/8" and 1 3/4" door thickness.	US3, 5, 10B, US15, 15A, US26, 26D	10	50
	PASPDL34	Heavy Duty Passage Sliding Door Lock Function, Standard Door Prep: 2 7/8" x 1 3/4" Can be used on 1 3/8" and 1 3/4" door thickness.	US3, 5, 10B, US15, 15A, US26, 26D	10	50
	SDL16	Privacy Sliding Door Lock <b>Comparable to Quality No. 101</b>	US3  US3 / 26, 5 / 26 US5, 26, 26D US10B, 10B / 26, US15, 15A, 19	10	50
  SDLPIN not shown to size	SDLPIN	1 1/8" Long Extension Pin for SDL16 Privacy Function. To be used for 1 3/4" door thickness.	Zinc	1	1
	SDL17	Passage Sliding Door Lock <b>Comparable to Quality No. 100</b>	US3  US5, 26, 26D US10B, 19 US15A, 15 US3 / 26	10	50
	STRKSDL	Strike for Privacy SDL Packed with 2 Screws	US3, 5, 10B, US26, 26D, US15, 15A	10	50

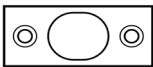
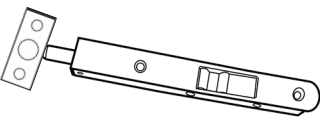

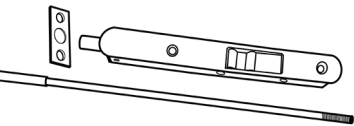
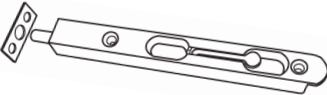
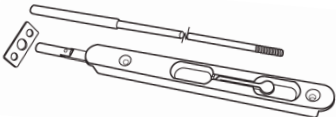
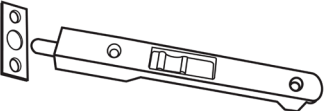
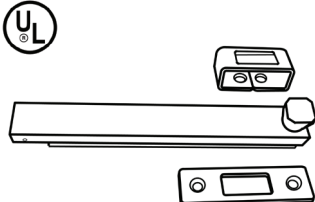
## SLIDING DOOR LOCKS

ILLUSTRATION	ITEM NO	DESCRIPTION	FINISH	INNER QTY	MASTER QTY
 <p><b>NEW ITEM</b></p> <p><b>With EASY POP-UP FINGER PULL</b></p>	18SDLR	Privacy Sliding Door Lock 2 3/8" Backset 1 3/8" to 1 3/4" Door Thickness	US15 US10B US26 US26D	1	24
	20SDLR	Privacy Sliding Door Lock 2 3/4" Backset 1 3/8" to 1 3/4" Door Thickness	US26D	1	24
 <p><b>NEW ITEM</b></p> <p><b>With EASY POP-UP FINGER PULL</b></p>	14SDLR	Passage Sliding Door Lock 2 3/8" Backset 1 3/8" to 1 3/4" Door Thickness	US15 US10B US26 US26D	1	24
	30SDLR	Passage Sliding Door Lock 2 3/4" Backset 1 3/8" to 1 3/4" Door Thickness	US26D	1	24
	RSDL20	Privacy Sliding Door Lock 1 3/8" Door Thickness	US10B, 3, 5, US15, 15A, US19, 26, 26D	10	50
	134RSDL20	Privacy Sliding Door Lock 1 3/4" Door Thickness	US10B, 3, 5, US15, 15A, US19, 26, 26D	10	50
	RSDL40	Dummy Sliding Door Lock 1 3/8" Door Thickness	US10B, 3, 5, US15, 15A, US19, 26, 26D	10	50
	134RSDL40	Dummy Sliding Door Lock 1 3/4" Door Thickness	US10B, 3, 5, US15, 15A, US19, 26, 26D	10	50

## SECURITY BOLTS


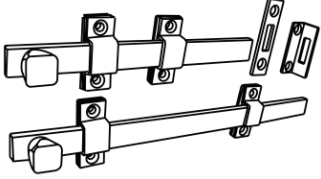

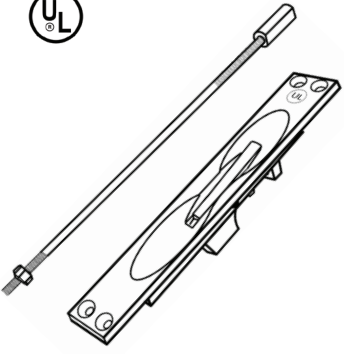
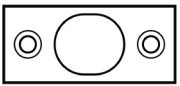


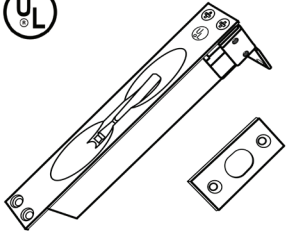
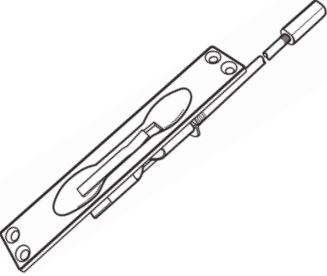
ILLUSTRATION	ITEM NO	DESCRIPTION	FINISH	INNER QTY	MASTER QTY
	DDSB4	Solid Brass 4" Decorative Dutch Door Bolt Packed With Mortise and Universal Strikes.	US3 US26, 10B US15A, 15, 5	10	60
	DDSB8	Solid Brass 8" Decorative Dutch Door Bolt Packed With Mortise and Universal Strikes.	US3 US26, 10B US15A, 15, 5	10	60
	DDSB12	Solid Brass 12" Decorative Dutch Door Bolt Packed With Mortise and Universal Strikes.	US3 US26, 10B US15A, 15, 5	10	60
	DDSB18	Solid Brass 18" Decorative Dutch Door Bolt Packed With Mortise and Universal Strikes.	US3 US26, 10B US15A, 15, 5	10	60
	DDSB24	Solid Brass 24" Decorative Dutch Door Bolt Packed With Mortise and Universal Strikes.	US3 US26, 10B US15A, 15, 5	10	60
	ANGSTRK	Angle Strike for Decorative Heavy Duty Surface Bolt	US3, 5, US26, 10B, US15, 15A	1	1
	SB873	3" Brass Surface Bolt, Poly Packed With Screws.	US3, 15, 26 US15A, 10B, 5	20	400
	SB874	4" Brass Surface Bolt, Poly Packed With Screws.	US3, 15, 26 US15A, 10B, 5	20	200
	SB876	6" Brass Surface Bolt, Poly Packed With Screws.	US3, 15, 26 US15A, 10B, 5	20	200
	SB8712	12" Brass Surface Bolt, Poly Packed With Screws.	US3, 15, 26 US15A, 10B, 5	10	100
	DCSB4	Decorative 4" Surface Bolt <b>Included:</b> Packed in Individual Poly-bagged with 2 Strikes and Screws. Comparable to IVES No. 043 Surface Bolt.	US3, 5, 10B, US15, 15A, US26, 26D	50	300
	DCSB6	Decorative 6" Surface Bolt <b>Included:</b> Packed in Individual Poly-bagged with 2 Strikes and Screws. Comparable to IVES No. 043 Surface Bolt.	US3, 5, 10B, US15, 15A, US26, 26D	50	200
	MB85R	6" Solid Brass Flush Bolt Round End. 1" Throw ANSI / BHMA LO4201	US3 US5, 10B, US26, 26D, US15, 15A	10 100	100 100
	MB86S	6" Solid Brass Flush Bolt Square End. 1" Throw ANSI / BHMA LO4201	US3 US5, 10B, US26, 26D, US15, 15A	10 10	100 100

## SECURITY BOLTS

ILLUSTRATION	ITEM NO	DESCRIPTION	FINISH	INNER QTY	MASTER QTY
	STRKMB85R	Strike for MB85R and MB86S. Packed with 2 screws.	US3, 5, US15, 15A, US26, 26D	10	50
	FBG6	Solid Brass Single Route Flush Bolt Round End, Similar to (IVES #260) Size 7"	US3, 5, US26, 26D, US15, 15A	10	100
			US4, 10B	10	100
	STRKFBG6	Strike for FBG6 and FBGEX12 Packed with 2 screws	US3, 5, 10B, US26, 26D, US15, 15A	10	100
	FBGEX12	Solid Brass Single Route Extension Flush Bolt, 18" Rod, Size 7 $\frac{3}{8}$ ", $\frac{7}{8}$ " Throw. Round Both Ends.	US3, 5, US26, 26D, US15, 15A	2	100
			<b>SOLD PER PAIR ONLY</b>	US4, 10B	2
	FLPPFB400	Flip Style Mortise Flush Bolt 7" L x $\frac{3}{4}$ " W; Throw: $\frac{3}{4}$ "; Strike: 1 $\frac{1}{2}$ " L x $\frac{5}{8}$ " W	US3, 15, 26D  US5, 10B, US15A, 26	10	100
	EXTFB-1	Flip Style Mortise Flush Bolt with 18" Extension Rod 7 $\frac{7}{16}$ " L x $\frac{3}{4}$ " W; Throw: $\frac{11}{16}$ "; Strike: 1 $\frac{1}{2}$ " L x $\frac{5}{8}$ " W	US3, 15, 26D	2	100
			<b>SOLD PER PAIR ONLY</b>	US5, 10B, US15A, 26	2
	ZDFB800	Solid One Piece Heavy Construction, Diecast Base, Single Route Flush bolt, Round End. Size 6 $\frac{3}{4}$ "	US3	10	100
			US5, 15, 10B, US26, 26D	10	100
	UL453 (SBUL8 before)	UL Listed 8" Surface Bolt. Features Tamper-Resistant Mounting. Concealed Screw, Steel Construction. Bolt Throw – 1", Width 1", Projection 1 $\frac{5}{8}$ ", Length 8" Comparable to IVES #361	US26D	1	36



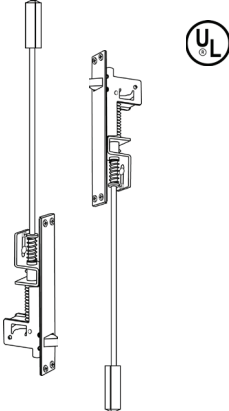
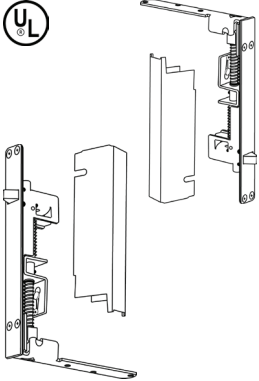
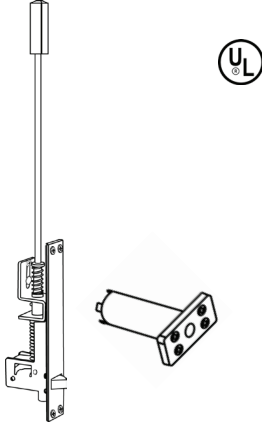
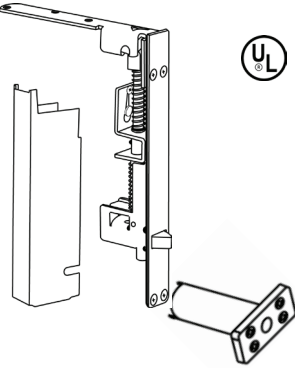
## SECURITY BOLTS

ILLUSTRATION	ITEM NO	DESCRIPTION	FINISH	INNER QTY	MASTER QTY
 	UL831 (ESBUL50 before)	UL-Listed 8" Surface Mounted Heavy Duty Surface Bolt. Steel Construction. Bolt Throw 1", Width 3/4", Length 8", Projection 1 5/16". Packed with Mortise and Universal Strikes. Comparable to IVES #453 ANSI / BHMA A156.16, L84161	US26D	1	50
	UL831-12 (ESBUL12 before)	12" Length, Same Specs as Above	US26D	1	50
 	MF6341	UL-Listed Solid Brass Lever Extension Flush Bolt. Commercial Type, 1" x 6 3/4", 12" Extension, 3/4" Throw. New Extruded Brass Design. ANSI / BHMA A156.6, L14081	US26D,3 US10, 10B, US4, 5, 26, US15, 15A, 19, Almond, White	2	50
	FBROD-12	12" Extended Rod for MF6341		1	1
	FBROD-18	18" Extended Rod for MF6341		1	1
	FBROD-24	24" Extended Rod for MF6341		1	1
	FBROD-36	36" Extended Rod for MF6341		1	1
	FBROD-48	48" Extended Rod for MF6341		1	1
 	STRKMF	Strike for MF6341 Packed with 2 screws in a nylon bag	US3, 10B, US15, US26, US26D	1	1
 	WF6341	UL-Listed Solid Brass Lever Extension Flush Bolt. Commercial Type, 1" x 6 3/4", 3/4" Throw. For Wood or Composite Doors. ANSI / BHMA A156.6, L14081	US3, 10B, US15, US26, US26D	1	50
		SBFB825	Stamped Brass Manual Flush Bolt. Commercial Type, 1" x 6 3/4", 12" Extension, 3/4" Throw. Non-Handed Extended Rods Available. See MF6341 (above).	US3 US10B, 15, 26D	2

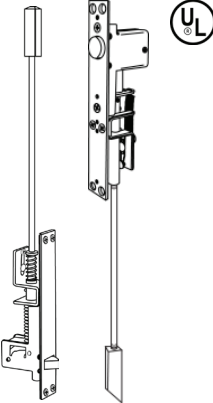
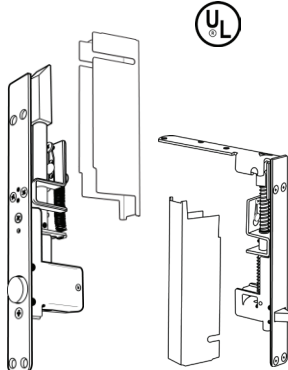
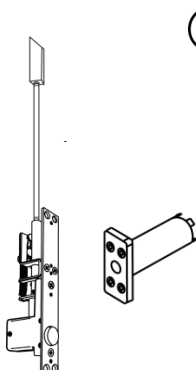
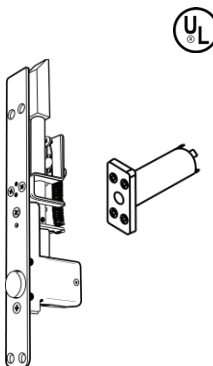
**SOLD PER PAIR ONLY**

**SOLD PER PAIR ONLY**

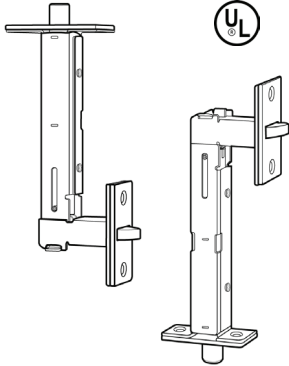
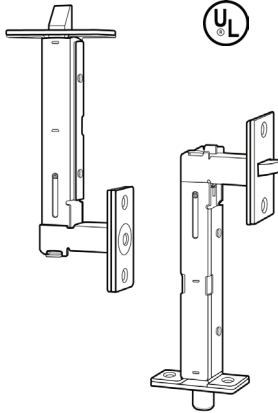
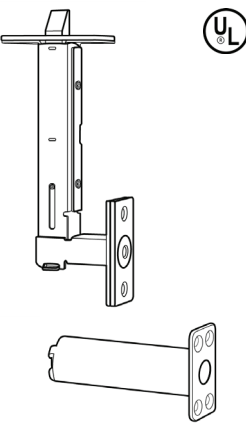
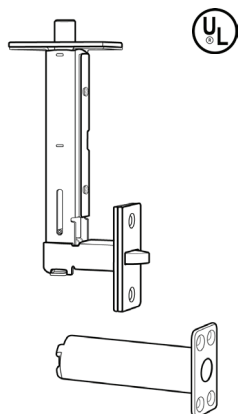
## AUTO FLUSH BOLTS

ILLUSTRATION	ITEM NO / DESCRIPTION	SIZE / SPECS	FINISH	INNER QTY	MASTER QTY
	<p><b>AUTOFLM1</b>            METAL DOOR            AUTOMATIC FLUSH BOLTS            Includes 2 Automatic Flush Bolts (Self-Latching Top &amp; Bottom Combination)</p>	<p>Face Plate: 1" x 6 3/4"            Bolt Head: 1/2" Square            Bolt Throw: 3/4"            Fastener: #8 x 1"            Material: Steel            BHMA 4.4 Type 25</p>	<p>US3, 4, 10B,            US15, 26, 26D</p>	<p>1 pair</p>	<p>12 pairs</p>
	<p><b>AUTOFLW22</b>            WOOD DOOR            AUTOMATIC FLUSH BOLTS            Includes 2 Automatic Flush Bolts (Self-Latching Top &amp; Bottom Combination)</p>	<p>Face Plate: 1" x 8 1/2"            Bolt Head: 1/2" Square            Bolt Throw: 1"            Fastener: #8 x 3/4"            Material: Steel            BHMA 4.4 Type 25</p>	<p>US3, 4, 10B,            US15, 26, 26D</p>	<p>1 pair</p>	<p>12 pairs</p>
	<p><b>AUXAUTOFLM1</b>            METAL DOOR            AUTOMATIC FLUSH BOLT,            1 Set Includes,            1 Auto Flush Bolt (Top)            and 1 Auxiliary Fire Latch            (Bottom)</p>	<p><u>Auto Flush bolt:</u>            Face Plate: 1" x 6 3/4"            Bolt Head: 1/2" Square            Bolt Throw: 3/4"            Fastener: #8 x 1"            Material: Steel  <u>Auxiliary Latch:</u>            Face Plate: 1" x 1 3/4"            Body: 7/8" bore x 3 1/4" Deep</p>	<p>US3, 4, 10B,            US15, 26, 26D</p>	<p>1 set</p>	<p>12 sets</p>
	<p><b>AUXAUTOFLW22</b>            WOOD DOOR            AUTOMATIC FLUSH BOLT            1 Set Includes,            1 Auto Flush Bolt (Top)            and 1 Auxiliary Fire Latch            (Bottom)</p>	<p><u>Auto Flush bolt:</u>            Face Plate: 1" x 8 1/2"            Bolt Head: 1/2" Square            Bolt Throw: 1"            Fastener: #8 x 3/4"            Material: Steel  <u>Auxiliary Latch:</u>            Face Plate: 1" x 1 3/4"            Body: 7/8" bore x 3 1/4" Deep</p>	<p>US3, 4, 10B,            US15, 26, 26D</p>	<p>1 set</p>	<p>12 sets</p>


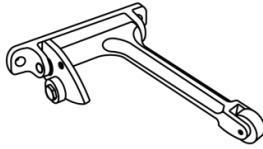

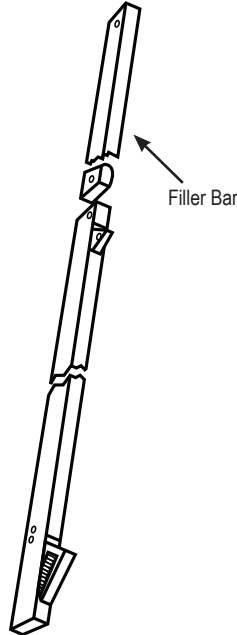
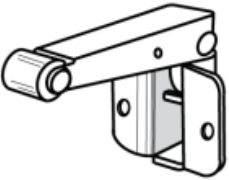
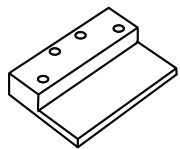
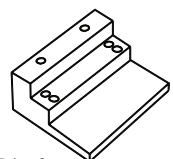
## COMBINATION FLUSH BOLTS

ILLUSTRATION	ITEM NO / DESCRIPTION	SIZE / SPECS	FINISH	INNER QTY	MASTER QTY
	<p><b>SLAUTOFLM3</b></p> <p>METAL DOOR            SELF-LATCHING FLUSH BOLTS,            Includes Self-Latching Bolt (Top)            &amp; Auto Flush Bolt (Bottom)            Combination            BHMA 4.4 Type 25</p>	<p><u>Self-Latching (top):</u>            Face Plate: 1" x 6 3/4"            Bolt Head: 1/2" Square            Bolt Throw: 3/4"            Fastener: #8 x 3/4"            Material: Steel</p> <p><u>Auto Flush bolt (bottom):</u>            Face Plate: 1" x 6 3/4"            Bolt Head: 1/2" Square            Bolt Throw: 3/4"            Fastener: #8 x 1"            Material: Steel</p>	US26D, US10B	1 set	12 sets
	<p><b>SLAUTOFLW4</b></p> <p>WOOD DOOR            SELF-LATCHING FLUSH BOLTS            Includes Self-Latching bolt (Top)            &amp; Auto Flush Bolt (Bottom)            Combination            BHMA 4.4 Type 25</p>	<p><u>Self-Latching (top):</u>            Face Plate: 1" x 8 1/2"            Bolt Head: 1/2" Square            Bolt Throw: 3/4"            Fastener: #8 x 3/4"            Material: Steel</p> <p><u>Auto Flush bolt (bottom):</u>            Face Plate: 1" x 8 1/2"            Bolt Head: 1/2" Square            Bolt Throw: 1"            Fastener: #8 x 3/4"            Material: Steel</p>	US26D, US10B	1 set	12 sets
	<p><b>AUXSLAFLM3</b></p> <p>METAL DOOR            SELF-LATCHING FLUSH BOLTS            Includes Self-Latching Bolt (Top) &amp;            Auxiliary Fire Latch (Bottom)</p>	<p><u>Self-Latching (top):</u>            Face Plate: 1" x 6 3/4"            Bolt Head: 1/2" Square            Bolt Throw: 3/4"            Fastener: #8 x 3/4"            Material: Steel</p> <p><u>Auxiliary Latch:</u>            Face Plate: 1" x 1 3/4"            Body: 7/8" bore x 3 1/4" deep</p>	US26D, US10B	1 set	12 sets
	<p><b>AUXSLAFLW4</b></p> <p>WOOD DOOR            SELF-LATCHING FLUSH BOLTS            Includes Self-Latching Bolt (Top)            &amp; Auxiliary Fire Latch (Bottom)</p>	<p><u>Self-Latching (top):</u>            Face Plate: 1" x 8 1/2"            Bolt Head: 1/2" Square            Bolt Throw: 3/4"            Fastener: #8 x 3/4"            Material: Steel</p> <p><u>Auxiliary Latch:</u>            Face Plate: 1" x 1 3/4"            Body: 7/8" bore x 3 3/4" deep</p>	US26D, US10B	1 set	12 sets


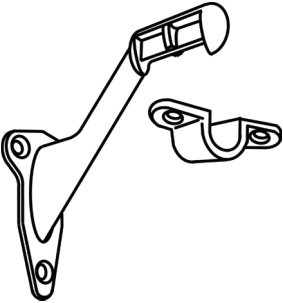
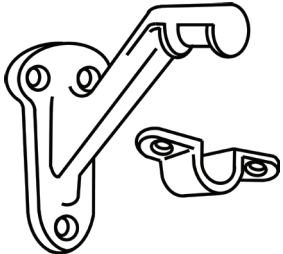
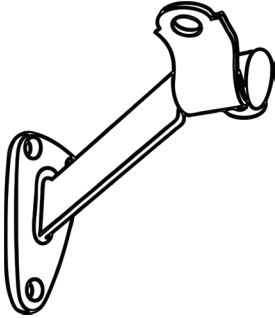
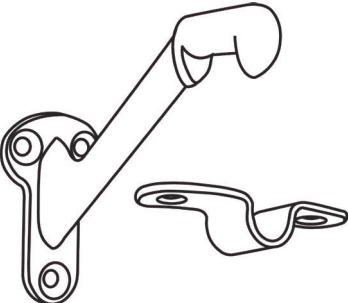
## UNIVERSAL FLUSH BOLTS

ILLUSTRATION	ITEM NO	DESCRIPTION	SIZE	FINISH	BOX QTY	CASE QTY
	UNIFB820	<p>METAL &amp; WOOD DOOR            UNIVERSAL FLUSH BOLTS            Includes 2 Auto Flush Bolt            (Top &amp; Bottom)            ANSI / BHMA A156.3-2008, Type 25</p>	<p>Auto Flush Bolt            (top &amp; bottom):            Face Plate: 1 1/8" x 2 1/4"            Bolt Head: 1/2" Round            Bolt Throw: 3/4"            Fastener: # 8 x 3/4"</p>	<p>US32D,            US10B,            US26, 3</p>	1 pair	24 pairs
	UNIFB780	<p>METAL &amp; WOOD DOOR            UNIVERSAL FLUSH BOLTS            Includes Self-Latching bolt (Top) &amp; Auto            Flush Bolt (Bottom)            Combination            ANSI / BHMA A156.3-2008, Type 25</p>	<p>Self-Latching (top):            Face Plate: 1 1/8" x 2 1/4"            Bolt Head: 1/2" Square            Bolt Throw: 3/4"            Fastener: # 8 x 3/4"</p> <p>Auto Flush Bolt ( bottom):            Face Plate: 1 1/8" x 2 1/4"            Bolt Head: 1/2" Round            Bolt Throw: 3/4"            Fastener: # 8 x 3/4"</p>	US32D	1 pair	24 pairs
	UNIFB930	<p>METAL &amp; WOOD DOOR            UNIVERSAL FLUSH BOLTS            Includes Self-Latching Bolt (Top) &amp; Fire            Latch Bolt (Bottom) Combination            ANSI / BHMA A156.3-2008, Type 25</p>	<p>Self-Latching (top):            Face Plate: 1 1/8" x 2 1/4"            Bolt Head: 1/2" Square            Bolt Throw: 3/4"            Fastener: # 8 x 3/4"</p> <p>Auxiliary Latch (bottom):            Face Plate: 1" x 1 3/4"            Body: 7/8" bore x 3"</p>	<p>US32D,            US10B,            US26, 3</p>	1 pair	24 pairs
	UNIFB540	<p>METAL &amp; WOOD DOOR            UNIVERSAL FLUSH BOLTS            Includes an Auto Flush Bolt            (top) &amp; Fire Latch Bolt (bottom) Combi-            nation            ANSI / BHMA A156.3-2008, Type 25</p>	<p>Self-Latching (top):            Face Plate: 1" x 8 1/2"            Bolt Head: 1/2" Square            Bolt Throw: 3/4"            Fastener: # 8 x 3/4"</p> <p>Auxiliary Latch (bottom):            Face Plate: 1" x 1 3/4"            Body: 7/8" bore x 3"</p>	US32D	1 pair	24 pairs

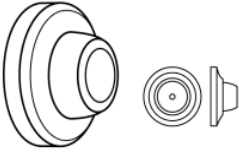
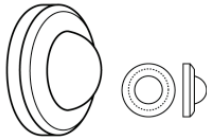
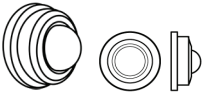
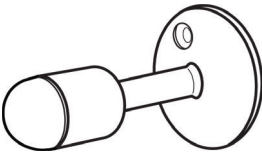
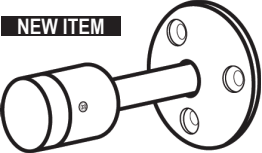

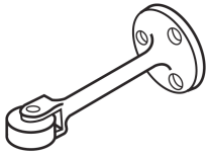


**DOOR COORDINATORS**

ILLUSTRATION	ITEM NO	DESCRIPTION	FINISH	INNER QTY	MASTER QTY
 	FRGCO65	UL-Gravity Coordinator Projection: 7" (FRGCO65)	US26D		
	FRGCO85	UL-Gravity Coordinator Projection: 8" (FRGCO85) BHMA: 4.1.1 Type 25	US10B, 3, US4, 10	1	20
 	DORCO1	Coordinators Frame openings: 60" and 72" BHMA 4.1.1 Type 21	Black Prime Coat, Alum	1	10
	FB1858	Filler Bar 18 5/8" for up to 72" door			
	FB3258	Filler Bar 32 5/8" for up to 96" door	Black Prime Coat, Alum	1	50
	CBO-1	Carry Bar Plate: 1 3/4" x 2 1/4" Fasteners: 1/4" x 20 Sex Bolts Material: Steel	Black Prime Coat, Alum	1	100
 	MB4250 MB4750	Mounting Brackets Jamb Depth: 4 1/4" Stop Height: 5/8" Stop Width: 2 1/4" and over Mounting Brackets Jamb Depth: 4 3/4" Stop Height: 5/8" Stop Width: 7/8" to 2 1/4" and over	Black Prime Coat	1 pair	20 pair

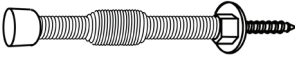
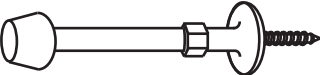
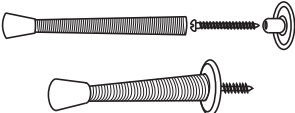

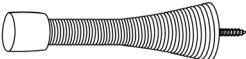





**HANDRAIL BRACKETS**

ILLUSTRATION	ITEM NO	DESCRIPTION	FINISH	INNER QTY	MASTER QTY
	JUHB28	Jumbo Heavy Duty Handrail Bracket Packed with Mounting Screws Height: 2 7/8", Width: 2 1/8" Projection: 2 7/8"	US3, 5, 26, US15, 15A US10B	50	100
	HB96	Hand Rail Bracket, Poly-bagged with Screws. Height: 2 7/8", Width: 1 3/16" Projection: 2 7/8"	US3, 5, 26 US15, 15A, US26D, 10B	50	200
	HDHB40	<b>Heavy Duty</b> Cast Aluminum Handrail Bracket Comparable to IVES #059 Height: 3 1/4", Width: 1 7/16" Projection: 3 1/4"	US3, 5, 26 US15, 15A, 26D US10B	50	200
	DMHB83	<b>Heavy Duty</b> Handrail Bracket. Poly-bagged with Screws. Height: 2 3/4", Width: 1 3/8" Projection: 3 1/4"	US3, 26D, US15, 15A US10B	50	100
	ADAHB-4	<b>Heavy Duty</b> Cast Handrail Bracket Height: 3 1/2", Width: 1 5/16" Projection: 4" <b>American with Disabilities Act (ADA) compliant</b>	US3, 5, 15, US15A, 26, US26D, 10B	50	250

## WALL DOOR STOPS / BUMPERS

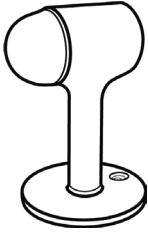
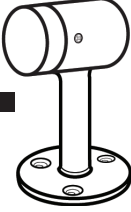
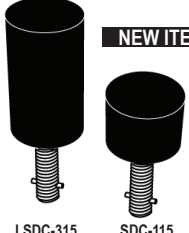
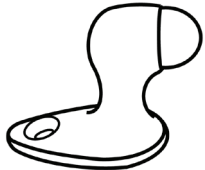




ILLUSTRATION	ITEM NO	DESCRIPTION	FINISH	INNER QTY	MASTER QTY
	WB26	Solid Brass or Stainless Steel (US32D) Concave Wall Stop, 2 1/2" Diameter, 1 3/16" Projection, Toggle & RP. ANSI / BHMA 156.16 L12251	US32D  US3, 26, US4, 5, 15A, US10, 10B, 19	50  50	300  300
	CONWB42	Solid Brass or Stainless Steel (US32D) Convex Wall Stop, 2 1/2" Diameter, 1 3/16" Projection, Toggle & RP. ANSI / BHMA 156.16 L12101	US32D  US3, 10B, 26, US10, 4, 5	50  50	300  300
	SWB	Solid Brass Convex Wall Stop, 1" Diameter, 1/2" Projection Concealed Mounting. Comparable to IVES #404, ANSI / BHMA L02101	US26, 26D, US10B, 4, 3, US15, 15A, 19	50	500
	CWS18	Commercial Grade Wall Door Stop For High Traffic Conditions. Solid cast brass or bronze heavy duty Construction. Includes mounting hardware for all wall construction applications. Overall projection of unit is 3 5/8", Base Diameter is 2 1/4". ANSI: A156.16, BHMA, L12021, FED SPEC: 1320E	US3, 26D  US10B	10	50
	4CWS-21	<b>NEW ITEM</b> Commercial Grade Wall Door Stop For High Traffic Conditions. Solid cast brass. Includes mounting hardware for all wall construction applications. Overall projection of unit is 3 5/8", Base Diameter is 2 1/8". ANSI: A156.16, BHMA, L12021, FED SPEC: 1320E	US26D  US10B	10	100
	CURB19	Solid Brass Curved Roller Stop ANSI / BHMA 156.16, LO2211 Height (Base): 1 3/4", Width (Base): 2 1/4" Projection: 2 3/4"	US3, 4, 10B, US26D	10	100
	SRB82	Solid Brass Straight Roller Stop ANSI / BHMA 156.16, LO2191 Base: 2" Diameter Projection: 4 1/4"	US3, 4, 10B, US26D	10	100
	SBRS3	3" Solid Brass Rigid Door Stop, Packed with Both White and Black Rubber Tips Comparable to IVES #64.	US3, 26, 26D US15, 15A  US10B	50	200
	SBRS4	4" Solid Brass Rigid Door Stop, Packed with Both White and Black Rubber Tips Comparable to IVES #64.	US3, 26D  US15, 15A US10B	50	200

## WALL DOOR STOPS / BUMPERS


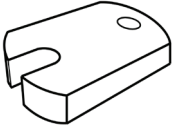
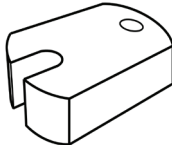
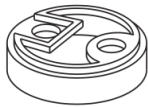
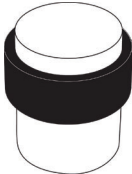
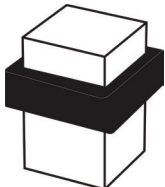
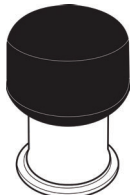
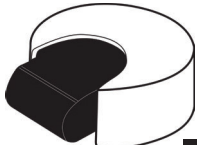
ILLUSTRATION	ITEM NO	DESCRIPTION	FINISH	INNER QTY	MASTER QTY
	FS89	3" Flexible Door Stop With Fixed Screw. Diecast Base, One Piece Style.	US3, 5, 26, US15, 15A, 10B	100	1000
	RS92	3" Cast Rigid Door Stop With Molded Screw.	US3, 5, 26 US26D, 10B, US15, 15A	100	1000
	SOFS3	3" Heavy Duty Flexible Snap On Door Stop 3 Pieces, Steel Base. Comparable to IVES #060.	US3, 5, 26 US15, 15A, US10B	100	1000
	HDFS3	3 1/8" <b>Heavy Duty</b> Flexible Door Stop with Screw and Metal Base.	US3, 5, 26 US15, 15A, US10B	100	600
	JFS13	3 3/4" <b>Heavy Duty</b> Jumbo Spring Door Stop with Screw and Metal Base.	US15, 15A, US10B US3, 5, 26	100	600
	JRS34	4" Diecast Jumbo Rigid Door Stop with Molded Screw.	US3, 5, 26, US15, 15A US10B	100	500
 <b>NEW ITEM</b>	WSPR-02	Stainless Steel, Wall Door Stop Also can be Used as Coat Hook Projection: 3 1/8" Fastener: 4 x 1" Wood Screw with Plastic Plug	US32D US32	10	50
 <b>NEW ITEM</b>	WSNP-04	Stainless Steel, Wall Door Stop Projection: 2 7/8" Fastener: 10 x 1 1/2" Wood Screw with Plastic Plug	US32D US32	10	50
 <b>NEW ITEM</b>	WSPS-01	Stainless Steel, Wall Door Stop Also can be Used as Coat Hook Projection: 3 1/8" Fastener: 6 x 1" Wood Screw with Plastic Plug	US32D US32	10	50
 <b>NEW ITEM</b>	WBC-06	Stainless Steel, Wall Door Stop Projection: 19/16" Fastener: 8 x 1" Wood Screw with Plastic Plug	US32D US32	10	50



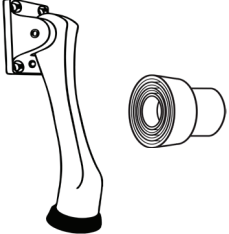
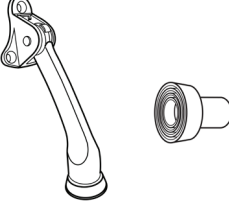
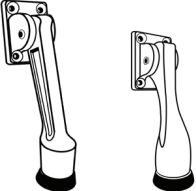

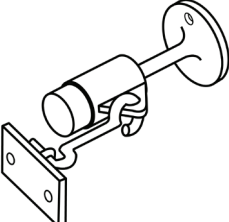
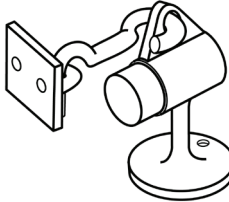
## FLOOR DOOR STOPS

ILLUSTRATION	ITEM NO	DESCRIPTION	FINISH	INNER QTY	MASTER QTY
	CFS20	Commercial Grade Floor Door Stop For High Traffic Conditions. Solid cast brass or bronze heavy duty construction. Includes mounting hardware for all floor construction applications. Overall projection of unit is 3" Base Diameter: 2 1/2" ANSI: A156.16, BHMA, L12131, FED SPEC: 1328E	US3, 26D  US10B	10	50
<b>NEW ITEM</b> 	3CFS-85	Commercial Grade Floor Door Stop For High Traffic Conditions. Solid cast brass. Includes mounting hardware for all floor construction applications. Overall projection of unit is 3 1/8", Base Diameter: 2 1/4". ANSI: A156.16, BHMA, L12131, FED SPEC: 1328E	US26D  US10B	10	100
 LSDC-315    SDC-115	LSDC-315  SDC-115	Security Door Stops designed for high traffic, abusive and security applications. Flame resistant, resilient material molded around a heavy-duty stud.  Stud Dimensions: 5/8" x 2 1/2" Bumpers: (LSDC-315) 2" dia. x 3 1/2" h (SDC-115) 2" dia. x 1 1/2" h	Black	10	50
	GS118	Goose Neck Cast Floor Stop 2 1/8" High, Base: 2 5/8" x 1 5/8". Combo Packed with (1) 5/16" Hanger Bolt & (1) #14 x 1" Wood Screw, 5/16" x 2 1/2" Stud with Expansion Shield and (1) 1/4" - 20 x 1" Machine Screw and Anchor. ANSI / BHMA 156.16	US26D, 3  US4, 26, US10, 10B, US15, 15A	10	50
	GS119	Goose Neck Cast Floor Stop, 2 7/8" High, Base: 2 3/4" x 1 1/2". Combo Packed with (1) 5/16" Hanger Bolt & (1) #14 x 1" Wood screw, 5/16" x 2 1/2" Stud with Expansion Shield and (1) 1/4" - 20 x 1" Machine Screw and Anchor. ANSI / BHMA 156.16	US26D, 3  US4, 26, US10, 10B, US15, 15A	10	40
	SMGNS-1	Small Goose Neck Floor Stop Door Stopper for Light to Medium Duty Doors Height: 1 1/4"; Base: 1 1/8"; Projection: 1 1/4" Wood screw, #10 x 1 3/16" Individually Poly-bagged	US3, 15, 26, 26D US5, 10B, 15A	10	200
	DSHP18	<b>Solid Brass Dome Stop</b> High Profile. (1 3/4" Diameter, 3/8" Thick Base) Projection: 1 3/8" ANSI / BHMA 156.6, LO2141	US3, 4, 5, 26, US26D, 15, 15A, US10, 10B  US32D	10	200
	DSLP4	<b>Solid Brass Dome Stop</b> Low Profile. (1 3/4" Diameter, 1/8" Thick Base) Projection: 1 1/8" ANSI / BHMA 156.6, LO2141	US3, 4, 5, 26, US26D, 15, 15A, US10, 10B  US32D	10	200

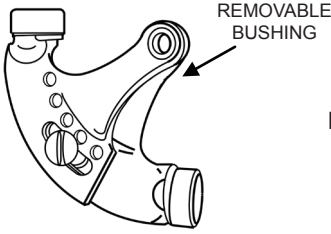
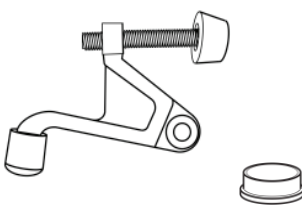
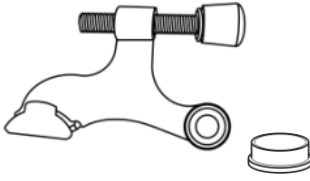
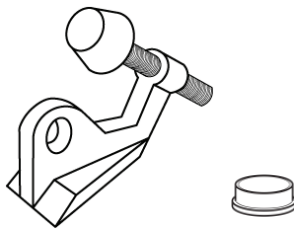
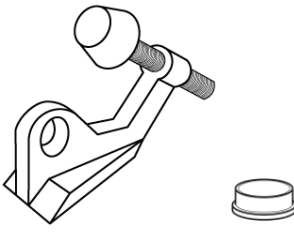
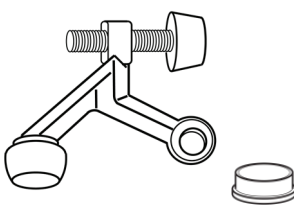
## FLOOR DOOR STOPS

ILLUSTRATION	ITEM NO	DESCRIPTION	FINISH	INNER QTY	MASTER QTY
	UNDS14	<b>Heavy Duty Cast Brass Dome Stop</b> designed for both low and high profiles. Meets ANSI / BHMA 156.1, L12161 when used as DSLP4. Fastener : #14 x 1 1/2" wood screw with plastic shield and 1/4" - 20 x 3/4" machine screw with lead anchor Base Diameter: 1 3/4" , Base: 1/4" , Height: 1 5/8"	US3, 4, 5, 10, US10B, 26, US26D, 15	10	100
	RIS375	Riser For Dome Stops With 1 3/4" Screws, 3/8" Thick.	US26D	50	400
	RIS625	Riser For Dome Stops With 1 3/4" Screws, 5/8" Thick.	US26D	50	250
	NEWRIS3750	Riser For Dome Stops With 2" Screws, 3/8" Thick. ANSI / BHMA 156.1	US3, 4, 5, US26, 26D, US10, 10B, US15, 15A	10	100
 <b>NEW ITEM</b>	EUS-03	Stainless Steel, Cylindrical Floor Mount Projection: 1 9/16" Fastener: #4 x 1 1/2" Wood Screw with Plastic Plug	US32D  US32	10	50
 <b>NEW ITEM</b>	EUS-05	Stainless Steel, Square Floor Mount Projection: 1 9/16" Fastener: #4 x 1 1/2" Wood Screw with Plastic Plug	US32D  US32	10	50
 <b>NEW ITEM</b>	EUS-07	Stainless Steel, Floor Mount or Wall Mount Projection: 2" Fastener: #8 x 1 1/4" Wood Screw with Plastic Plug	US32D  US32	10	50
 <b>NEW ITEM</b>	DSFT-5	Stainless Steel, Floor Mount Projection: 1 3/16" Fastener: #10 x 1 1/4" Wood Screw with Plastic Plug	US32D  US32	10	50

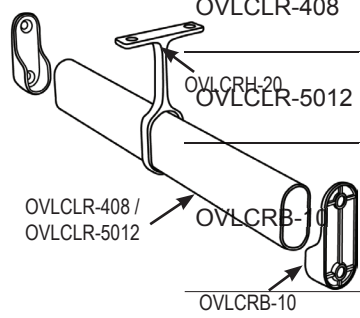
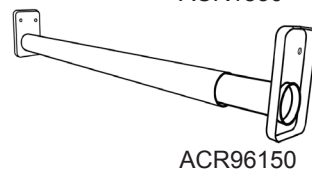
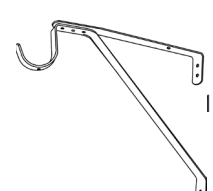
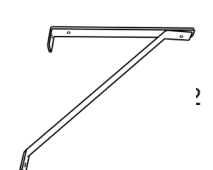
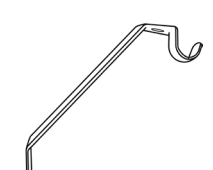
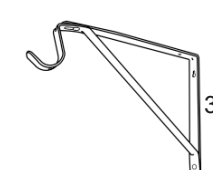
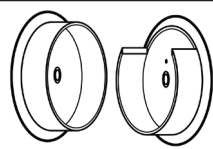
## DOOR HOLDER / STOPS

ILLUSTRATION	ITEM NO	DESCRIPTION	FINISH	INNER QTY	MASTER QTY
	SBDH41300	5" Solid Brass Kick Down Holder, Base: 1 1/4" x 2". ANSI / BHMA 156.16 L11391	US26D US3, 4, 26, US10,10B	10	60
	RUBSBDH	Vinyl Rubber Stop with Concentric Circular Groove Design. For use with SBDH5 or SBDH41300 door stops	Grey	1	1
	DH25	4" Zinc Diecast Kick Down Door Holder. ANSI / BHMA 156.16 L11382	US3, 26, 26D, DURO	50	200
	RUBDH25	Vinyl Rubber Stop with Concentric Circular Groove Design For use with DH25	Grey	1	1
	IRODH-4	4" Cast Iron Kick Down Door Holder	ALUM, DURO	10	100
	IRODH-5	5" Cast Iron Kick Down Door Holder	ALUM, DURO	10	100
	SBDH5	5" Solid Brass Kick Down Door Holder, Base: 7/8" x 1 3/4". Comparable to IVES #455 ANSI / BHMA 156.16 L11382	US3, US26, 26D, US10, 10B	10	100
	HDWDS99	Heavy Duty Commercial Grade Wall Door Stop for high traffic conditions. Solid cast brass or bronze heavy duty construction. Includes mounting hardware for all wall construction applications. Overall projection of unit is 3 5/8", Base Diameter is 2 1/4". ANSI: A156.16, BHMA, L11351, FED SPEC: 1321E	US3, 26D, 10B	10	50
	HDFDSH66	Heavy Duty Commercial Grade Floor Door Stop for high Traffic Conditions. Solid cast brass or bronze heavy duty construction. Includes mounting hardware for all floor construction applications. Overall projection of unit is 3 5/8", Base Diameter is 2 1/4". ANSI: A156.16, BHMA, L11371, FED SPEC: 1329E	US3, 10B, US26D	10	50

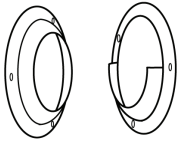
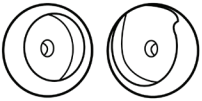
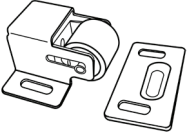
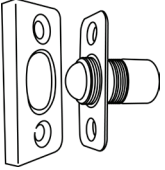
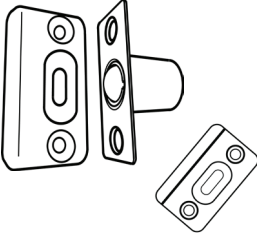
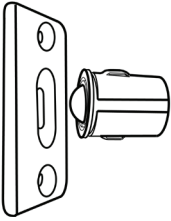
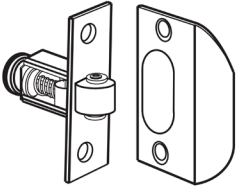
**HINGE PIN DOOR STOPS**

ILLUSTRATION	ITEM NO	DESCRIPTION	FINISH	INNER QTY	MASTER QTY
	IVHP23	<p>Jumbo Heavy Duty Hinge Pin Stop with Removable Bushing, Adjustable Angle Setting. For Commercial Grade Hinges, 1/4" or 5/16" Diameter Hinge Pins. For hinge sizes: 3 1/2" x 3 1/2", 4" x 4" and 4 1/2" x 4 1/2" Individually Poly Packed. Comparable to IVES #69, 69F.</p>	US3, 5, 10B, US26, 26D, US15, 15A	50	500
	JHP11	<p>Jumbo Hinge Pin Door Stop. Poly-bagged with Nylon Bushing Recommended for commercial and residential applications For hinge sizes: 3 1/2" x 3 1/2", 4" x 4" and 4 1/2" x 4 1/2"</p>	US3, 5, 26 US15, 15A, 10B	50	500
	NHP78	<p>Deluxe Hinge Pin Door Stop. Poly-bagged with Nylon Bushing Recommended for residential use. For hinge sizes: 3 1/2" x 3 1/2" and 4" x 4"</p>	US3, 5, 26 US15, 15A, 10B	50	500
	DSLD81	<p>Light Duty Door Protector Hinge Pin Stop with Nylon Bushing. Recommended for Residential Hinges. For hinge sizes: 3 1/2" x 3 1/2" and 4" x 4"</p>	US3, 5, 10B, US15, 15A, US26, 26D	50	500
	DSHD105	<p>Heavy Duty Door Protector Hinge Pin Stop with Nylon Bushing. Recommended for Commercial Applications. For hinge sizes: 3 1/2" x 3 1/2", 4" x 4" and 4 1/2" x 4 1/2"</p>	US3, 5, 10B, US15, 15A, US26, 26D	25	250
	HP95	<p>Hinge Pin Door Stop. Poly-bagged with Nylon Bushing Recommended for residential use. For hinge sizes: 3 1/2" x 3 1/2" and 4" x 4"</p>	US3, 5, 26, US15A, 15, US10B	100	1000

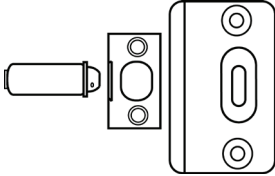
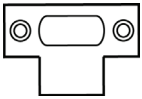
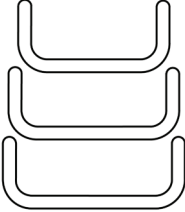
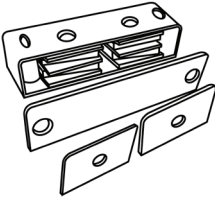
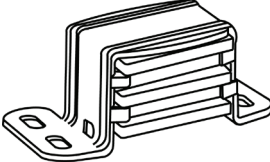
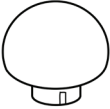



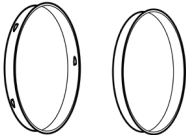
## CLOSET HARDWARE

ILLUSTRATION	ITEM NO	DESCRIPTION	INNER QTY	MASTER QTY
	OVLCLR-408	<b>8' Oval Closet Rod</b> Dimensions: 5/8" x 1 3/16" Material: Steel	1	10
	OVLCLR-5012	<b>12' Oval Closet Rod</b> Dimensions: 5/8" x 1 3/16" Material: Steel	1	10
	OVLCRB-10	<b>Closet Rod Bracket</b> Dimensions: 3/4" x 1 7/8", 1 1/4" CTC Fasteners: #6 x 1" Wood Screws Material: Zinc Alloy Packed 2 pieces per nylon bag with screws	50	1000
	OVLCRH-20	<b>Closet Rod Holder</b> Dimensions: 1 1/4" CTC Fasteners: #6 x 1" Wood Screws Material: Zinc Alloy Packed 1 piece per nylon bag with screws	50	500
	OVLCLR-408 / OVLCLR-5012	<b>Closet Rod Bracket</b> Dimensions: 3/4" x 1 7/8", 1 1/4" CTC Fasteners: #6 x 1" Wood Screws Material: Zinc Alloy Packed 2 pieces per nylon bag with screws	50	1000
	ACR1830	18" to 30" Adjustable Closet Rod	1	10
		30" to 48" Adjustable Closet Rod		
		48" to 72" Adjustable Closet Rod		
		72" to 96" Adjustable Closet Rod		
		72" to 120" Adjustable Closet Rod		
ACR96150	96" to 150" Adjustable Closet Rod			
		Adjustable Shelf and Rod Support. Supports Shelves Up to 14" Wide and Rods up to 1 1/2" Dia. Screws Packed Individually with Bracket.	40	40
			CASE QUANTITY ONLY	
		Adjustable Shelf Support Only. Supports Shelves up to 14" wide. Screws Packed Individually with Bracket.	20	20
			CASE QUANTITY ONLY	
		Single Shelf & Rod Support. Supports Shelves Up to 14" Wide and Rods up to 1 1/2" Dia. Screws Packed Individually with Bracket.	80	80
			CASE QUANTITY ONLY	
		Heavy Duty Shelf & Rod Support. Supports Shelves Up to 14" Wide and Rods up to 1 1/2" Dia. Screws Packed Individually with Bracket.	40	40
			CASE QUANTITY ONLY	
		Closet Pole Socket for 1 3/8" Pole, Nylon. Poly-bagged with Screws.	50	500

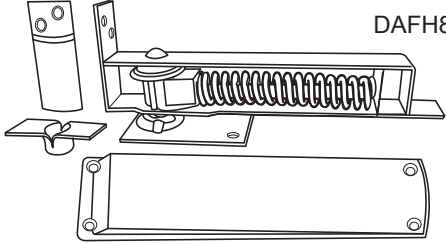
## CLOSET HARDWARE

ILLUSTRATION	ITEM NO	DESCRIPTION	FINISH	INNER QTY	MASTER QTY
	MPS3	Steel Closet Pole Socket for 1 3/8" Pole. Poly-bagged with Screws.	US3, 26 US15, 10B	100	500
	WDPS 82	Wood Closet Pole Socket 1 3/8"	Wood	50	400
	RC88	Jumbo Roller Catch, Size 2" Poly-bagged with Screws. Strike Size: 1 1/4" x 7/8", Square Corner	US3, Zinc  US10B	50	500
	SBBC58	Solid Brass Adjustable Ball Catch 1" x 2 1/4", Square Corner Latch Face Strike Size: 1 3/8" x 2 1/4", Round Corner	US3  US5, 10B, US15, 15A, US26, 26D	20	200
	BC97	Adjustable Ball Catch (2 1/4" x 1") with Full Lip Strike Plate RC Strike Size: 1 3/8" x 2 1/4", Round Corner	US3, 5, 10B, US15, 15A, US26, 26D	100	200
	STRKBC97	Full Lip Strike Plate Round Corner For BC97 and DIB1 Strike Size: 1 3/8" x 2 1/4", Round Corner	US3, 5, 10B, US15, 15A, US26, 26D	10	100
	DIB1	Adjustable Drive-In Ball Catch, Packed with Full Lip Strike, Round Corner, Poly-bagged with Screws. Strike Size: 1 3/8" x 2 1/4", Round Corner	US3, 5, 26 US26D, 15, US15A, 10B	100	200
	BLKDIB777	Adjustable Drive-In Ball Catch, Packed with Full Lip Strike, Round Corner, Poly-bagged with Screws. Strike Size: 1 3/8" x 2 1/4", Round Corner <b>Bulk Packed</b>			
	ARCT3350	Adjustable Roller Latch, Soft latching action. Special nylon roller for silent performance. Ad- justable tension 4-17 lbs of holding power. Installs easily on thin doors. Includes brass full lip strike. Conforms to ANSI / BHMA A156.16 L27081 for brass and L87081 for steel. <b>Dimensions:</b> Face Plate: 2 1/4" x 7/8", Bore: 13/16" x 1 3/4" Strike: 2 1/4" x 1 3/4" Lip 1 13/16" to center	US3, 10B, 15, US26D	10	200

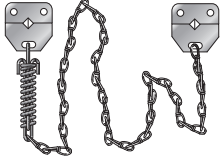
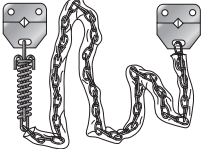
## CLOSET HARDWARE

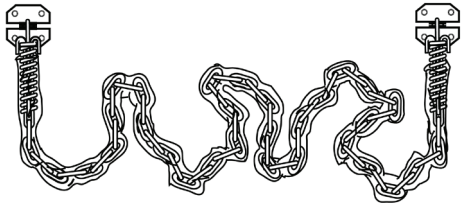
ILLUSTRATION	ITEM NO	DESCRIPTION	FINISH	INNER QTY	MASTER QTY
	BULCAT11	Bullet Catch 1/2" Diameter x 1 1/8" Packaging: Individually poly-bagged with standard full lip round corner and square corner strikes. Square Corner Strike Size: 5/8" x 1 1/4" Optional T-strike: Part# TCAT-108	US3, 15  US10B, 26, 5	50	500
	TCAT108	T-Strike For Bullet Catch Size: 7/8" x 2 1/4"	US3, 15, 10B, US26, 5	50	500
	WP300	3" Solid Brass Drawer Pull, 5/16" Dia. of Rod. Screws for 1 3/4" - 1 3/8" thick drawers or doors	US3, 26, 26D US10B	50	200
	WP350	3 1/2" Solid Brass Drawer Pull, 5/16" Dia. of Rod. Screws for 1 3/4" - 1 3/8" thick drawers or doors	US3, 26, 26D US10B	50	200
	WP400	4" Solid Brass Drawer Pull, 5/16" Dia. of Rod. Screws for 1 3/4" - 1 3/8" thick drawers or doors	US3, 26, 26D US10B	50	200
	HDMC3270	Heavy Duty Magnetic Catch. Dual triple pole. Self-aligning magnets for maximum pull. Surface or mortise mounted. Steel case. Individually packed with sheet metal screws and 3 strikes. Conforms to ANSI / BHMA A156.9 B43161 <b>Dimensions:</b> 3 1/8" Long x 1" Deep x 7/8" Thick Load Capacity: 14 lbs.	ALUM	50	200
	TPMC3230	Triple Pole Magnetic Catch. Self-aligning magnets for maximum pull. Adjustable. Steel case. Individually packed with sheet metal screws, 1 strike size. Conforms to ANSI / BHMA A156.9 <b>Dimensions:</b> 2 1/16" Long x 1 5/32" Deep x 7/8" Thick Load Capacity: 6 lbs.	ALUM	50	500
	BK14	Bi-Fold Ball Knob (Width: 1 1/4", Height: 1 3/8") Poly-bagged Individually with 1 5/8", 1 1/8" and 2" screws	US3, 5, 10B, US15, 15A, US26, 26D	20	200
	PLA2	Back Plates For BK14, Diameter 1 3/4".	US3, 5, 10B, US15, 15A, US26, 26D	20	200
	CH28	Coat and Hat Hook, Diecast Material	US3, 5, 26	50	1000
	CK130	Bi-Fold Concave Knob Beveled Edge (1") Screw, 1 3/8" Dia.	US3, 5, 26D	20	200
	DIFP218	Drive In Finger Pull (2 1/8" Diameter) <b>without Nails</b>	US3, 5, 26 US15, 15A, US26D, 10B	150	600
	FP98	Drive In Finger Pull (2 1/8" Diameter) <b>with Nails</b>	US3, 5, 26	150	600

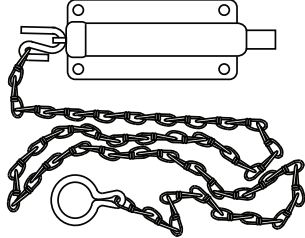
## DOUBLE-ACTING FLOOR SPRING HINGE

ILLUSTRATION	ITEM NO	DESCRIPTION	FINISH	INNER QTY	MASTER QTY
	DAFH8	ANSI / BHMALO4081 Heavy Duty Ball Bearing Type with 90° Hold Open. Door Range 1 1/8" – 1 3/4". Can Hold Doors up to 90 lbs.	US3, 5, 15, US26D, 10B	1	10

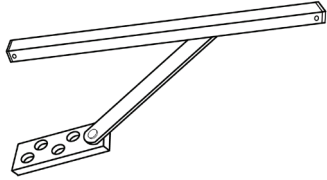
## CRASH CHAIN AND BOLTS

	CCD30	Single Spring Crash Chain Door Guard, <b>No Vinyl</b> , 21 3/4" Chain	Zinc	10	120
	CDV24	Single Spring Crash Chain Door Guard, <b>With Vinyl</b> , 21 3/4" Chain	Zinc	10	120

	HDCDV-48	<b>Super Heavy Duty</b> Chain Door Stop with Vinyl Cover, Comparable to IVES #115. For Heavy Commercial Doors. ANSI / BHMA LO2222 Length: 33"	US26D	1	50
--	----------	--	-------	---	----

	CB6	24" Chain Bolt Hardened Steel, Supple- ment to a regular door lock for added security. <b>Included:</b> Packed in individual poly-bagged with strikes and screws.	Zinc Chromium	10	50
--	-----	---	---------------	----	----

## SURFACE OVERHEAD DOOR HOLDER AND STOPS

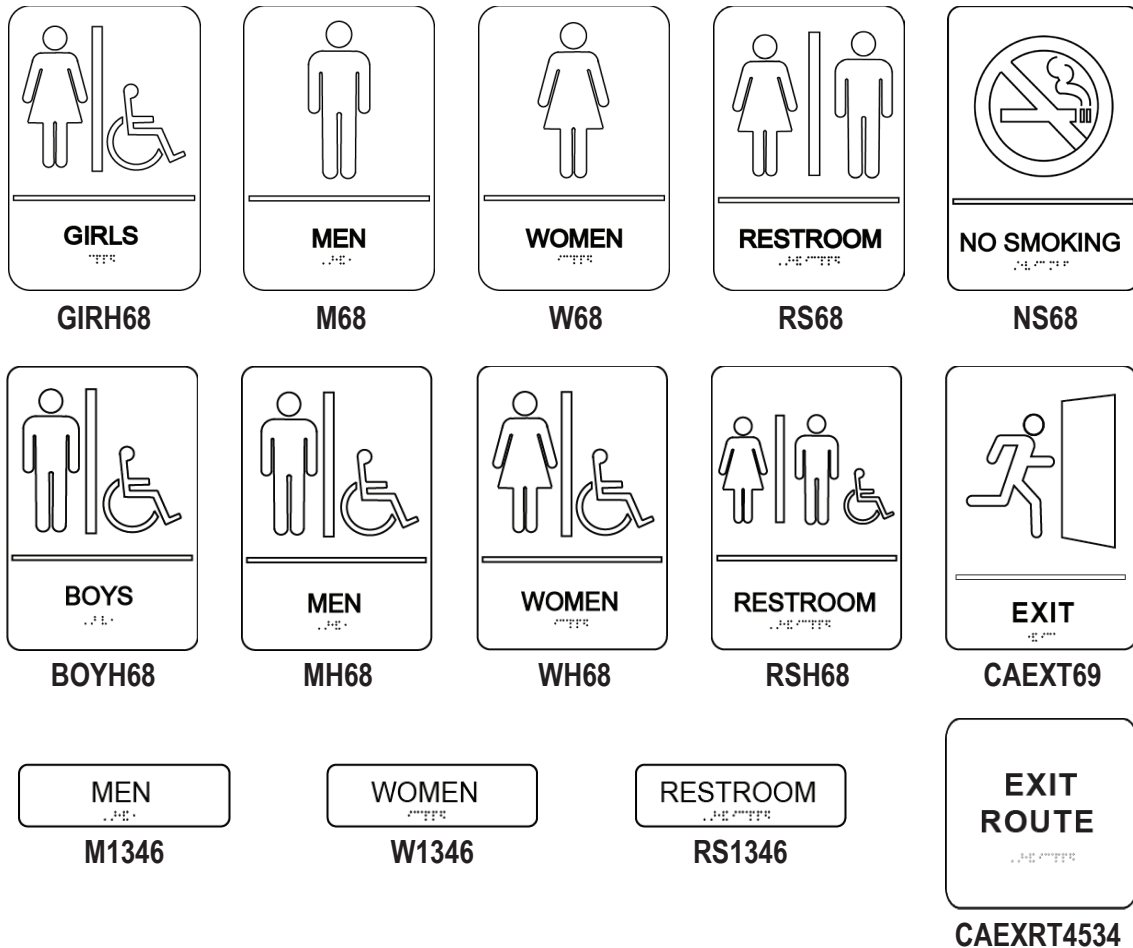
	CR552S	Surface Overhead Door Stop Only UL-listed SIZE 2, 23 1/16" - 27"	US26D	1	10
	CR553S	SIZE 3, 27 1/16" - 33"	_____		
	CR554S	SIZE 4, 33 1/16" - 39"	_____		
	CR555S	SIZE 5, 39 1/16" - 45"	_____		
	CR552H	Surface Overhead Door Holder with Hold-Open SIZE 2, 23 1/16" - 27"	_____		
	CR553H	SIZE 3, 27 1/16" - 33"	_____		
	CR554H	SIZE 4, 33 1/16" - 39"	NON-STOCK FINISHES		
	CR555H	SIZE 5, 39 1/16" - 45"	_____		



**HANDICAP RESTROOM SIGNS (ADA) With BRAILLE**

ITEM NO	DESCRIPTION	FINISH	INNER QTY	MASTER QTY
M68	Men, with Braille, pictogram, text, 6" x 9"			
MH68	Men handicap, with Braille, pictogram, text, 6" x 9"			
BOYH68	Boys handicap, with Braille, pictogram, text, 6" x 9"			
W68	Women, with Braille, pictogram, text, 6" x 9"			
WH68	Women handicap, with Braille, pictogram, text, 6" x 9"			
GIRH68	Girls handicap, with Braille, pictogram, text, 6" x 9"			
RS68	Unisex restroom, with Braille, pictogram, text, 6" x 9"	Blue or Black	10	100
RSH68	Unisex handicap restroom, with Braille, pictogram, text 6" x 9"			
NS68	No smoking, with Braille, pictogram, text, 6" x 9"			
CAEXT69	Exit, with Braille, pictogram, text 6" x 9"			
CAEXRT4534	Exit Route, with Braille, text 6" x 6"			
M1346	Men, with Braille, text 1 3/4" x 6"			
W1346	Women, with Braille, text 1 3/4" x 6"			
RS1346	Restroom, with Braille, text 1 3/4" x 6"			

Prefix "BL" for Black When Ordering  
**20% Charge on Broken Boxes**  
**10% Quantity Discount for 100 Units Mixed**



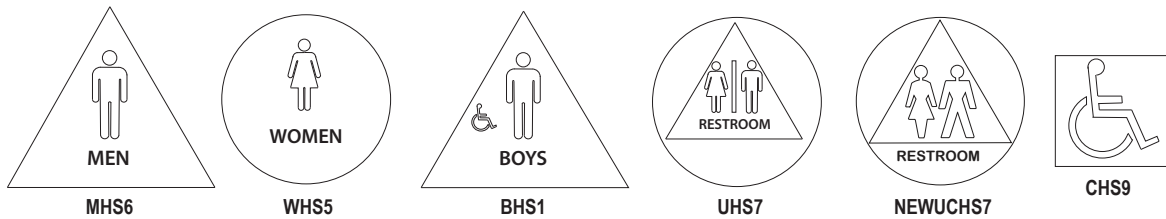
## HANDICAP RESTROOM SIGNS (ADA) With BRAILLE

ITEM NO	DESCRIPTION	FINISH	INNER QTY	MASTER QTY
WHS5	Women sign raised & Braille, 12" circle	Blue	10	50
GHS4	Girls sign raised & Braille, 12" circle			
MHS6	Men sign raised & Braille, 10 1/2" high triangle			
BHS1	Boys sign raised & Braille, 10 1/2" high triangle			
WHS5A	Women sign raised & Braille & handicap logo, 12" circle	Blue or Black	10	50
MHS6A	Men sign raised & Braille & handicap logo, 10 1/2" high triangle			
UHS7	Unisex raised & Braille, 12" circle			
UCHS10	Unisex raised & Braille & handicap logo, 12" circle			
NEWUCHS7	Unisex raised & Braille, 12" circle			
NEWUCHS10	Unisex raised & Braille & handicap logo, 12" circle			

## DECALS AND STICKERS

ITEM NO	DESCRIPTION	INNER QTY
CHS9	Blue square plastic sign & handicap logo (8" x 8")	
HI11	Blue insignia handicap logo (4" x 4")	
WDC13	This door to remain unlocked during business hours, white on black	
BDC12	This door to remain unlocked during business hours, black on clear	
TDUW8	These doors to remain unlocked during business hours, white on black	10
TDUB1	These doors to remain unlocked during business hours, black on clear	
BDO-5	This door to remain unlocked when building is occupied, black on clear	
WDO-11	This door to remain unlocked when building is occupied, white on black	
TWOC-14	These doors to remain unlocked when building is occupied, white on black	
TBOC-19	These doors to remain unlocked when building is occupied, black on clear	

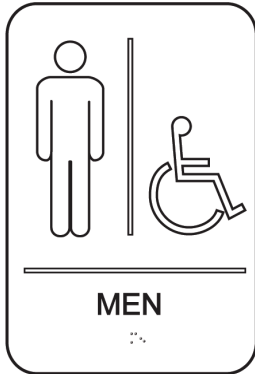
Prefix "BL" for Black When Ordering ♦ 20% Charge on Broken Boxes ♦ 10% Quantity Discount for 100 Units Mixed



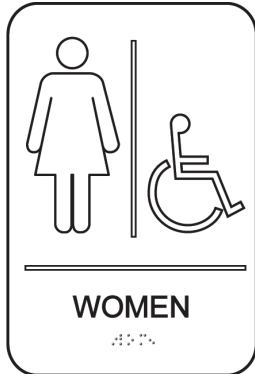
**CALIFORNIA-APPROVED RESTROOM SIGNS With BRAILLE**

ITEM NO	DESCRIPTION	FINISH	INNER QTY	MASTER QTY
<b>CAMH69</b>	Men handicap, with Braille, pictogram, text, 6" x 9"			
<b>CAWH69</b>	Women handicap, with Braille, pictogram, text, 6" x 9"			
<b>CARSH69</b>	Unisex Restroom handicap, with Braille, pictogram, text, 6" x 9"	Blue		
<b>CACCS69</b>	Handicap Accessible, with Braille, pictogram, text, 6" x 9"		10	100
<b>CAEXT69</b>	Exit, with Braille, text 6" x 9"			
<b>CAM1348*</b>	Men, with Braille, text 1 3/4" x 8"	Blue, Black		
<b>CAW1348</b>	Women, with Braille, text 1 3/4" x 8"			
<b>CARS1348</b>	Restroom, with Braille, text 1 3/4" x 8"	Blue		

\*Prefix "BL" for Black When Ordering  
**10% Quantity Discount for 100 Units Mixed**



**CAMH69**



**CAWH69**



**CARSH69**



**CAEXT69**



**CACCS69**



**CAM1348**



**CAW1348**



**CARS1348**

## SDH SERIES - STAINLESS STEEL SLIDING DOOR HARDWARE

SET INCLUDES: 1 SLIDING ROD, 2 ROLLERS, 1 FLOOR GUIDE, COMPLETE MOUNTING SCREWS

OPTIONAL STOPS: DS-2200, DS-2300; OPTIONAL SOFT CLOSE SYSTEM (PREFIX SCS)

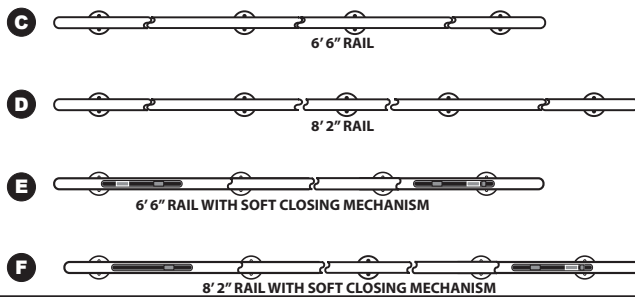
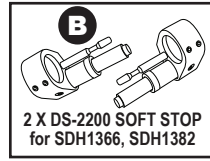
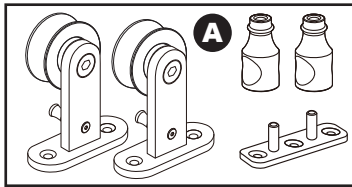
ILLUSTRATION

ITEM NO

DESCRIPTION

FINISH

### FOR WOOD DOORS



SDH1066 Top Mount Single Wheel 6' 6"

**A C**

SDH1366 Top Mount with **Soft Stop** Single Wheel 6' 6"

**A B C**

SCS801666 Top Mount with **Soft Close System** Single Wheel 6' 6" (SCS80 STANDARD)  
**Optional** SCS401666

**A E**

US32D

SDH1082 Top Mount Single Wheel 8' 2"

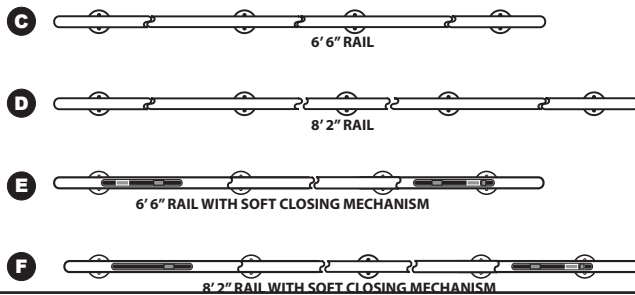
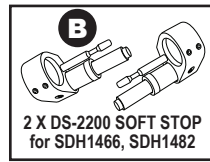
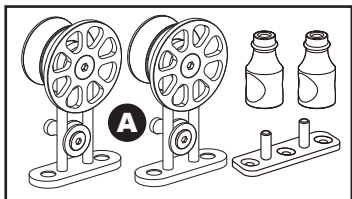
**A D**

SDH1382 Top Mount with **Soft Stop** Single Wheel 8' 2"

**A B D**

SCS801682 Top Mount with **Soft Close System** Single Wheel 8' 2" (SCS80 STANDARD)  
**Optional** SCS401682

**A F**



SDH1166 Top Mount Spoke Wheel 6' 6"

**A C**

SDH1466 Top Mount with **Soft Stop** Spoke Wheel 6' 6"

**A B C**

SCS801766 Top Mount with **Soft Close System** Spoke Wheel 6' 6" (SCS80 STANDARD)  
**Optional** SCS401766

**A E**

US32D

SDH1182 Top Mount Spoke Wheel 8' 2"

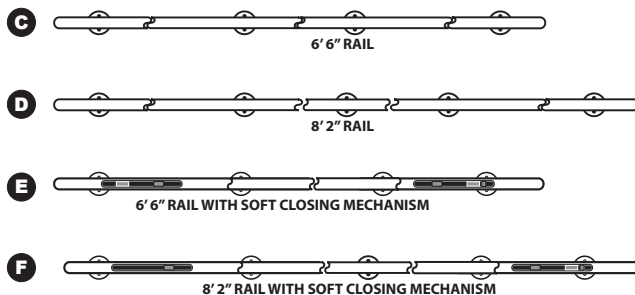
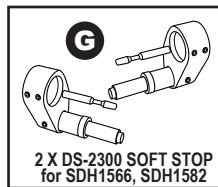
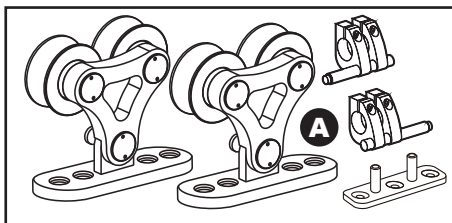
**A D**

SDH1482 Top Mount with **Soft Stop** Spoke Wheel 8' 2"

**A B D**

SCS801782 Top Mount with **Soft Close System** Spoke Wheel 8' 2" (SCS80 STANDARD)  
**Optional** SCS401782

**A F**



SDH1266 Top Mount Dual Wheel 6' 6"

**A C**

SDH1566 Top Mount with **Soft Stop** Dual Wheel 6' 6"

**A G C**

SCS801866 Top Mount with **Soft Close System** Dual Wheel 6' 6" (SCS80 STANDARD)  
**Optional** SCS401866

**A E**

US32D

SDH1282 Top Mount Dual Wheel 8' 2"

**A D**

SDH1582 Top Mount with **Soft Stop** Dual Wheel 8' 2"

**A G D**

SCS801882 Top Mount with **Soft Close System** Dual Wheel 8' 2" (SCS80 STANDARD)  
**Optional** SCS401882

**A F**

## SDH SERIES - STAINLESS STEEL SLIDING DOOR HARDWARE

**SET INCLUDES: 1 SLIDING ROD, 2 ROLLERS, 2 STOPPERS, 1 FLOOR GUIDE AND COMPLETE MOUNTING SCREWS**

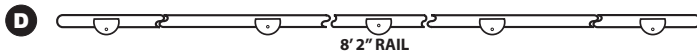
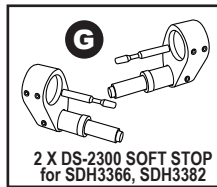
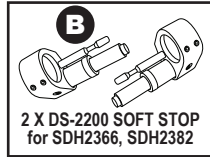
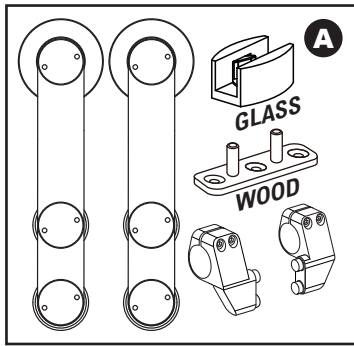
ILLUSTRATION

ITEM NO

DESCRIPTION

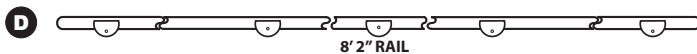
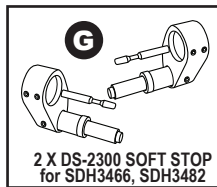
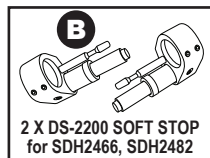
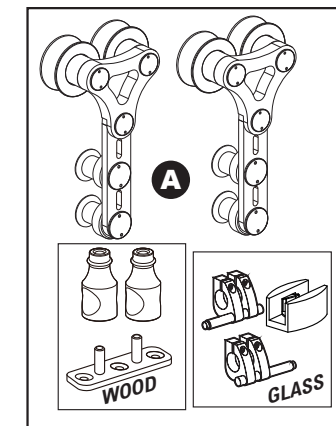
FINISH

### FOR WOOD AND GLASS DOORS





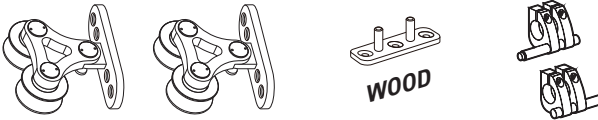
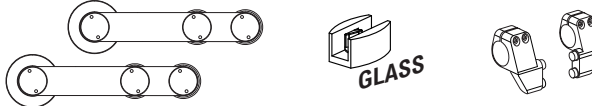
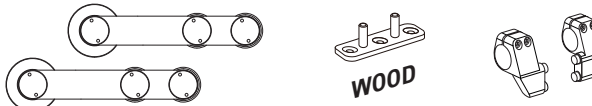
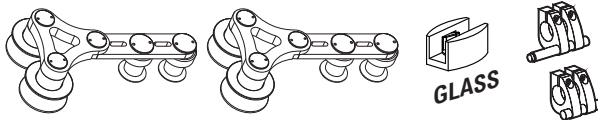
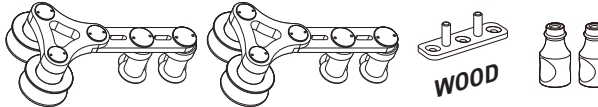
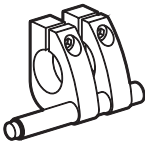
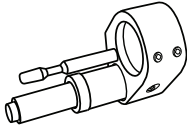
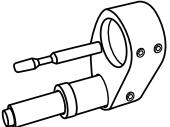
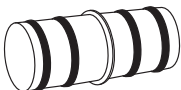
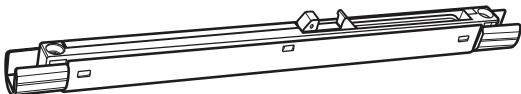
ITEM NO	DESCRIPTION	FINISH
SDH2066 <b>A C</b>	Surface Mount Strap Wheel 6' 6"	
SDH2366 <b>A B C</b>	Surface Mount with <b>Soft Stop</b> Strap Wheel 6' 6"	
SCS802566 <b>A E</b>	Surface Mount with <b>Soft Close System</b> Strap Wheel 6' 6" (SCS80 STANDARD) <i>Optional</i> SCS402566	US32D
SDH2082 <b>A D</b>	Surface Mount Strap Wheel 8' 2"	
SDH2382 <b>A B D</b>	Surface Mount <b>Soft Stop</b> Strap Wheel 8' 2"	
SCS802582 <b>A F</b>	Surface Mount <b>Soft Close System</b> Strap Wheel 8' 2" (SCS80 STANDARD) <i>Optional</i> SCS402582	
SDH3066 <b>A C</b>	Surface Mount Strap Wheel 6' 6"	
SDH3366 <b>A G C</b>	Surface Mount <b>Soft Stop</b> Strap Wheel 6' 6"	
SCS803566 <b>A E</b>	Surface Mount <b>Soft Close System</b> Strap Wheel 6' 6" (SCS80 STANDARD) <i>Optional</i> SCS403566	US32D
SDH3082 <b>A D</b>	Surface Mount Strap Wheel 8' 2"	
SDH3382 <b>A G D</b>	Surface Mount <b>Soft Stop</b> Strap Wheel 8' 2"	
SCS803582 <b>A F</b>	Surface Mount <b>Soft Close System</b> Strap Wheel 8' 2" (SCS80 STANDARD) <i>Optional</i> SCS403582	

ITEM NO	DESCRIPTION	FINISH
SDH2166 <b>A C</b>	Surface Mount Dual Wheel 6' 6"	
SDH2466 <b>A B C</b>	Surface Mount <b>Soft Stop</b> Dual Wheel 6' 6"	
SCS802666 <b>A E</b>	Surface Mount <b>Soft Close System</b> Dual Wheel 6' 6" (SCS80 STANDARD) <i>Optional</i> SCS402666	US32D
SDH2182 <b>A D</b>	Surface Mount Dual Wheel 8' 2"	
SDH2482 <b>A B D</b>	Surface Mount <b>Soft Stop</b> Dual Wheel 8' 2"	
SCS802682 <b>A F</b>	Surface Mount <b>Soft Close System</b> Dual Wheel 8' 2" (SCS80 STANDARD) <i>Optional</i> SCS402682	
SDH3166 <b>A C</b>	Surface Mount Dual Wheel 6' 6"	
SDH3466 <b>A G C</b>	Surface Mount <b>Soft Stop</b> Dual Wheel 6' 6"	
SCS803666 <b>A E</b>	Surface Mount <b>Soft Close System</b> Dual Wheel 6' 6" (SCS80 STANDARD) <i>Optional</i> SCS403666	US32D
SDH3182 <b>A D</b>	Surface Mount Dual Wheel 8' 2"	
SDH3482 <b>A G D</b>	Surface Mount <b>Soft Stop</b> Dual Wheel 8' 2"	
SCS803682 <b>A F</b>	Surface Mount <b>Soft Close System</b> Dual Wheel 8' 2" (SCS80 STANDARD) <i>Optional</i> SCS403682	



## SDH SERIES - STAINLESS STEEL SLIDING DOOR HARDWARE

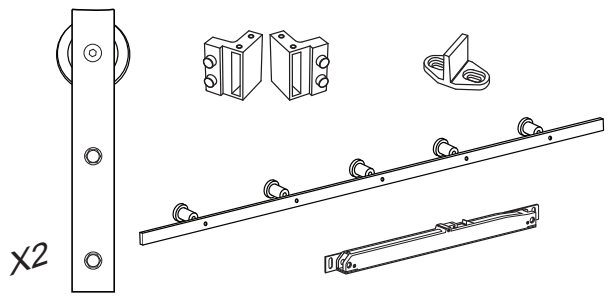
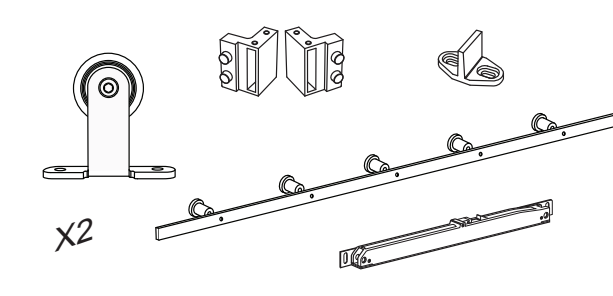
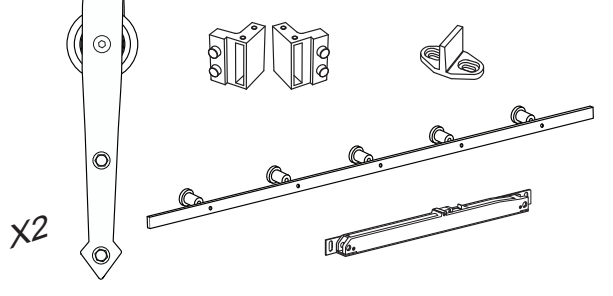
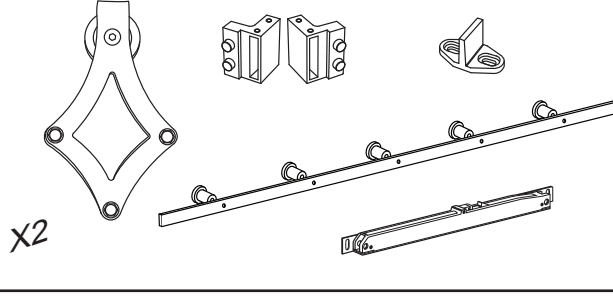
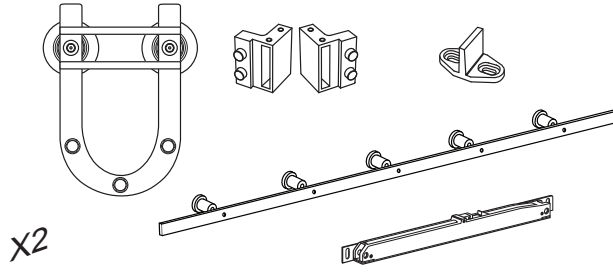
### ADDITIONAL ROLLERS LESS RAIL (SET INCLUDES: 2 ROLLERS, 2 STOPPERS, 1 FLOOR GUIDE)

ILLUSTRATION	ITEM NO	DESCRIPTION	FINISH
	SDH10LR	Roller Set Less Rail Top Mount Single Wheel for Wood Doors	US32D
	SDH11LR	Roller Set Less Rail Top Mount Spoke Wheel for Wood Doors	US32D
	SDH12LR	Roller Set Less Rail Top Mount Dual Wheel for Wood Doors	US32D
	SDH20LR	Roller Set Less Rail Surface Mount Strap Wheel for Glass Doors	US32D
	SDH30LR	Roller Set Less Rail Surface Mount Strap Wheel for Wood Doors	US32D
	SDH21LR	Roller Set Less Rail Surface Mount Dual Wheel for Glass Doors	US32D
	SDH31LR	Roller Set Less Rail Surface Mount Dual Wheel for Wood Doors	US32D
	DS-2100	Roller Stop for SDH12 and SDH30	US32D
	DS-2200	Soft Action Roller Stop for SDH10, SDH11, SDH20 and SDH21	US32D
	DS-2300	Soft Action Roller Stop for SDH12, SDH30 and SDH31	US32D
	SDHRC	Rail Connector for Interconnecting 2 Rails Together	US32D
	SCS40 (44 - 88 LBS)  SCS80 (88 - 176 LBS)	Soft Close System for replacement only. Choose type by weight of door. Sold Individually.	

**BDH SERIES - BLACK BARN DOOR HARDWARE FOR WOOD DOORS**

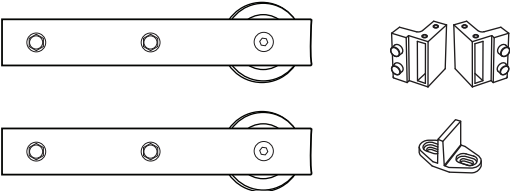
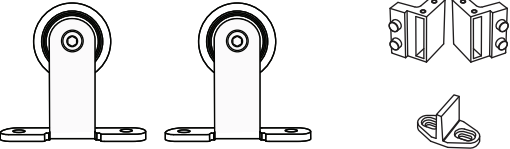
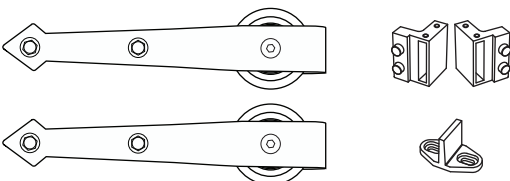
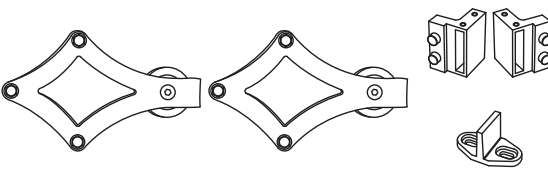
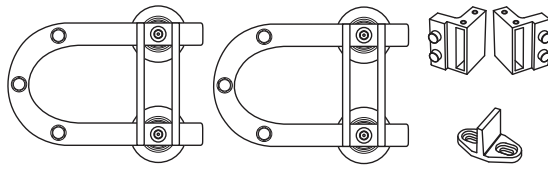
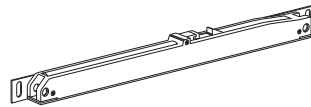

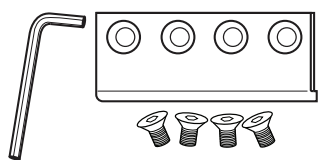
**SET INCLUDES: 1 SLIDING TRACK, 2 ROLLERS, 2 STOPPERS, 1 FLOOR GUIDE & COMPLETE MOUNTING SCREWS**

**OPTIONAL SOFT CLOSE SYSTEM: (prefix SCS)**

ILLUSTRATION	ITEM NO	DESCRIPTION	FINISH
 <p>X2</p>	BDH3066	Surface Mount Strap Wheel 6' 6"	Powder Coated Matte Black
	BDH3080	Surface Mount Strap Wheel 8' 0"	
	SCSBDH3066	Surface Mount Strap Wheel 6' 6" <b>with Soft Close System</b>	Powder Coated Matte Black
	SCSBDH3080	Surface Mount Strap Wheel 8' 0" <b>with Soft Close System</b>	
 <p>X2</p>	BDH3166	Top Mount Single Wheel 6' 6"	Powder Coated Matte Black
	BDH3180	Top Mount Single Wheel 8' 0"	
	SCSBDH3166	Top Mount Single Wheel 6' 6" <b>with Soft Close System</b>	Powder Coated Matte Black
	SCSBDH3180	Top Mount Single Wheel 8' 0" <b>with Soft Close System</b>	
 <p>X2</p>	BDH3266	Surface Mount Arrowhead 6' 6"	Powder Coated Matte Black
	BDH3280	Surface Mount Arrowhead 8' 0"	
	SCSBDH3266	Surface Mount Arrowhead 6' 6" <b>with Soft Close System</b>	Powder Coated Matte Black
	SCSBDH3280	Surface Mount Arrowhead 8' 0" <b>with Soft Close System</b>	
 <p>X2</p>	BDH3366	Surface Mount Diamond 6' 6"	Powder Coated Matte Black
	BDH3380	Surface Mount Diamond 8' 0"	
	SCSBDH3366	Surface Mount Diamond 6' 6" <b>with Soft Close System</b>	Powder Coated Matte Black
	SCSBDH3380	Surface Mount Diamond 8' 0" <b>with Soft Close System</b>	
 <p>X2</p>	BDH3466	Surface Mount Horseshoe 6' 6"	Powder Coated Matte Black
	BDH3480	Surface Mount Horseshoe 8' 0"	
	SCSBDH3466	Surface Mount Horseshoe 6' 6" <b>with Soft Close System</b>	Powder Coated Matte Black
	SCSBDH3480	Surface Mount Horseshoe 8' 0" <b>with Soft Close System</b>	

**BDH SERIES - BLACK BARN DOOR HARDWARE FOR WOOD DOORS**

**SET INCLUDES: 2 ROLLERS, 2 STOPPERS, 2 ANTI-JUMP DISCS, 1 FLOOR GUIDE & COMPLETE MOUNTING SCREWS**

ILLUSTRATION	ITEM NO	DESCRIPTION	FINISH
	BDH30LT	Surface Mount Strap Wheel Less Track	Powder Coated Matte Black
	BDH31LT	Top Mount Single Wheel Less Track	Powder Coated Matte Black
	BDH32LT	Surface Mount Arrowhead Less Track	Powder Coated Matte Black
	BDH33LT	Surface Mount Diamond Less Track	Powder Coated Matte Black
	BDH34LT	Surface Mount Horseshoe Less Track	Powder Coated Matte Black
<b>ACCESSORIES</b>			
	SCSBDH	Soft Close System for replacement only Sold Individually	Black
	BDPUL6000	Flat Type, Barn Door Pull Handle 9 1/2" x 1 1/4" x 2"	Powder Coated Matte Black
	BDHCP	Barn Door Connector Plate	Powder Coated Matte Black