

**CB160 STANDARD DUTY DEADBOLTS**  
**GL160 STANDARD DUTY GATE LATCHES**  
FOR STANDARD COMMERCIAL AND RESIDENTIAL APPLICATIONS

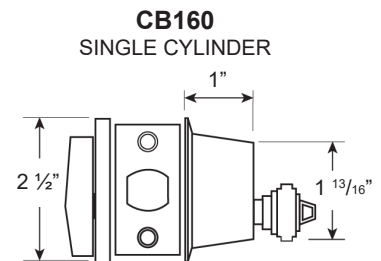
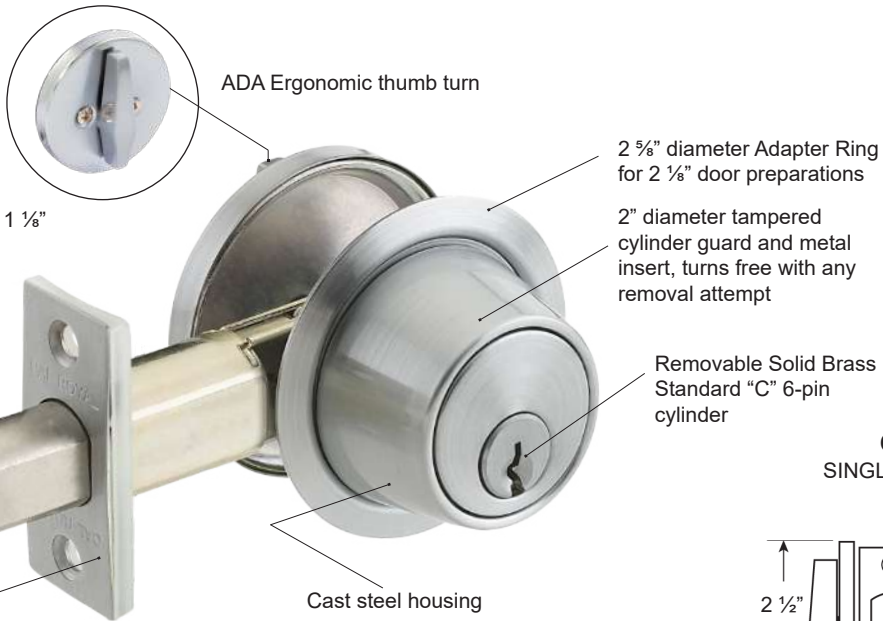
**LIFETIME WARRANTY**

Conforms with ANSI  
A156.36, Grade 2  
Exceeds 150,000 cycles

Latch front adapter to  
convert 1" face plate to 1 1/8"  
wide door preparations

Adjustable 2 3/8" –  
2 3/4" Deadbolt

Sturdy, all steel latch  
case and mechanism



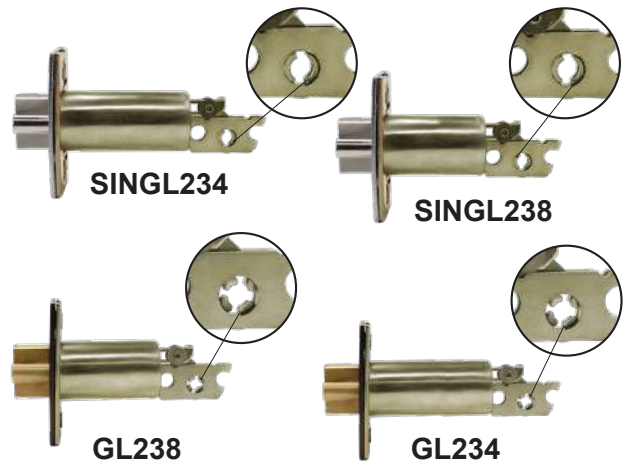
**GL162 GATE LATCH**  
**DOUBLE CYLINDER**



**GL160 GATE LATCH**  
**SINGLE CYLINDER**



**SINGL238** - 2 3/8" backset gate latch and for single cylinder deadbolt  
**SINGL234** - 2 3/4" backset gate latch and for single cylinder deadbolt  
**GL238** - 2 3/8" backset gate latch and for double cylinder deadbolt  
**GL234** - 2 3/4" backset gate latch and for double cylinder deadbolt



**SPECIFICATIONS**

**TRIM**

Wrought Brass or Stainless Steel.

**DOOR RANGES**

Adjustable 1 3/8" (35mm) to 1 3/4" (45mm) door thickness.

**BACKSET**

Adjustable 2 3/8" or 2 3/4".

**DEADBOLT FACEPLATE**

Latch bolt: Standard 2 1/4" x 1" packed with 1/8" plastic filler to convert 1" face plate to 1 1/8" wide door preparations.

**BORE DIAMETER**

1" for latch, 1 1/2" or 2 1/8" for lock housing.

**STRIKE**

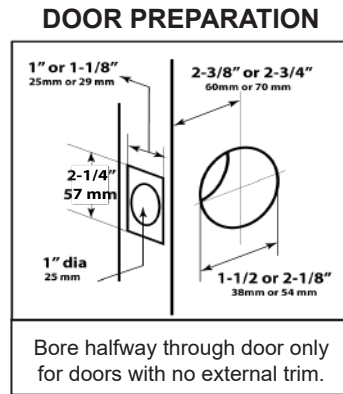
1 1/8" x 2 3/4" square corner.

**KEYWAYS**

Standard 6-pin solid brass "C" keyway. Optional Schlage C-K composite with "E" keys, Schlage "E", Russwin D1-2-3-4, Corbin 59 / 60, Corbin-Russwin L4, Sargent LA-LB-LC, Falcon / Weiser E, Kwikset, Arrow A, Yale GA and Yale 8.

# CB160 SERIES FINISHES AND FUNCTIONS

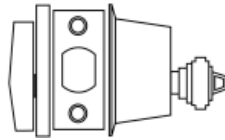
| FINISHES AVAILABLE |         |                   |
|--------------------|---------|-------------------|
| BHMA SYMBOL        | US CODE | DESCRIPTION       |
| 622                | US1     | Flat Black Coated |
| 605                | US3     | Polished Brass    |
| 606                | US4     | Satin Brass       |
| 609                | US5     | Antique Brass     |
| 612                | US10    | Satin Bronze      |
| 613                | US10B   | Oil Rubbed Bronze |
| 619                | US15    | Satin Nickel      |
| 625                | US26    | Polished Chrome   |
| 626                | US26D   | Satin Chrome      |



**LIFETIME WARRANTY**

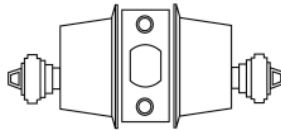
Refer to price list for stock finishes and functions

**CB160**  
ANSI E0152



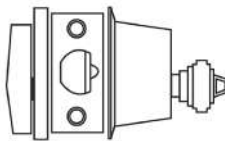
**Standard Duty Single Cylinder Deadbolt**  
Deadbolt thrown or retracted by key from outside or by inside turn unit. Bolt automatically deadlocks when fully thrown.

**CB162**  
ANSI E0142



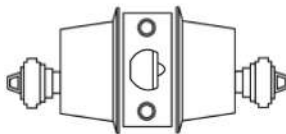
**Standard Duty Double Cylinder Deadbolt**  
Deadbolt thrown or retracted by key from either side. Bolt automatically deadlocks when fully thrown.

**GL160**  
ANSI E0152



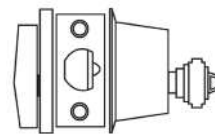
**Single Cylinder Gate Latch (2 3/8" backset)**  
Dead locking latch bolt retracted by key from outside and thumb turn on inside. Otherwise always locked.

**GL162**  
ANSI E0142



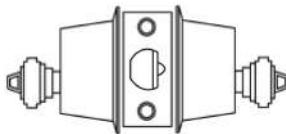
**Double Cylinder Gate Latch (2 3/8" backset)**  
Dead locking latch bolt retracted by key from either side. Otherwise always locked.

**GL160 / 234**  
ANSI E0152

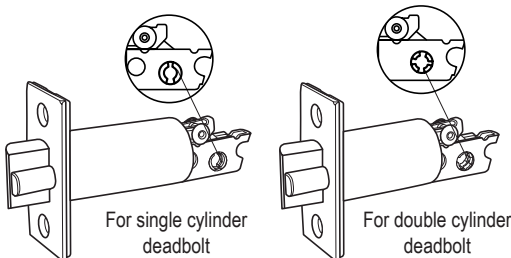


**Single Cylinder Gate Latch (2 3/4" backset)**  
Dead locking latch bolt retracted by key from outside and thumb turn on inside. Otherwise always locked.

**GL162234**  
ANSI E0142



**Double Cylinder Gate Latch (2 3/4" backset)**  
Dead locking latch bolt retracted by key from either side. Otherwise always locked.



| ADDITIONAL PARTS |  |
|------------------|--|
| SINGL238         | 2 3/8" backset gate latch (1 1/8" x 2 1/4") for single cylinder deadbolt |
| SINGL234         | 2 3/4" backset gate latch (1 1/8" x 2 1/4") for single cylinder deadbolt |
| GL238            | 2 3/8" backset gate latch (1 1/8" x 2 1/4") for double cylinder deadbolt |
| GL234            | 2 3/4" backset gate latch (1 1/8" x 2 1/4") for double cylinder deadbolt |

**OTHER FUNCTIONS NOT LISTED ARE AVAILABLE UPON REQUEST**  
**HOLD BACK FEATURE ON DEADBOLT WITH GATE LATCH NOT AVAILABLE**