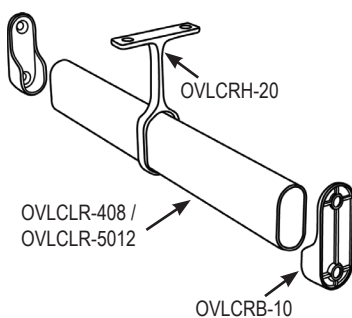
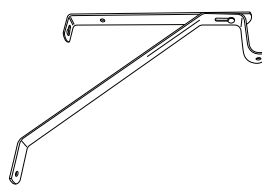
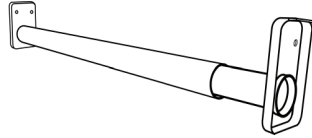
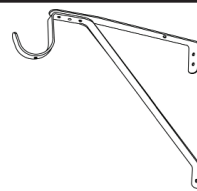

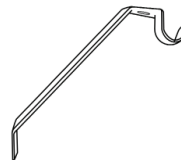
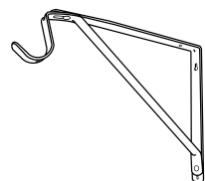
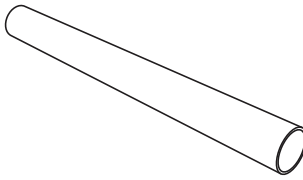
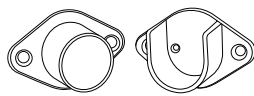
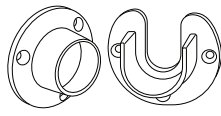
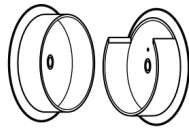
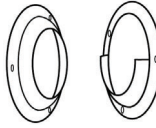
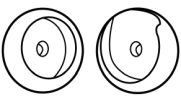
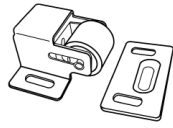
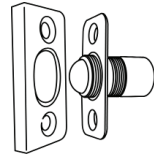
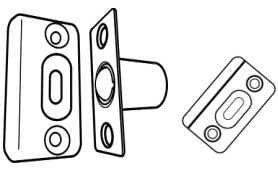


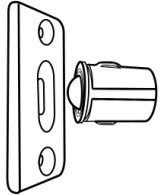
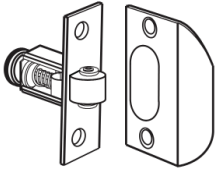
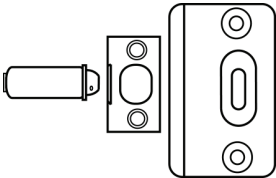
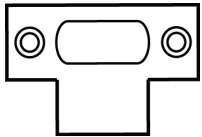
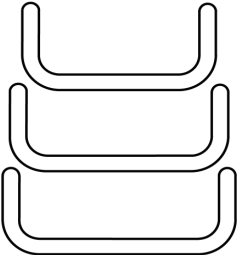
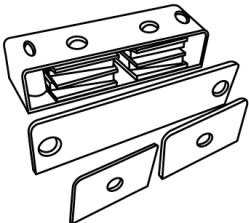
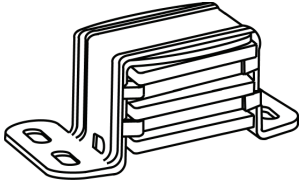
CLOSET HARDWARE

ILLUSTRATION	ITEM NO	DESCRIPTION	FINISH	INNER QTY	MASTER QTY	UNIT
		8' Oval Closet Rod Dimensions: 5/8" x 1 3/16" Material: Steel	US26	1	10	Each
		12' Oval Closet Rod Dimensions: 5/8" x 1 3/16" Material: Steel	US26	1	10	Each
		Closet Rod Bracket Dimensions: 3/4" x 1 7/8", 1 1/4" CTC Fasteners: #6 x 1" Wood Screws Material: Zinc Alloy Packed 2 pieces per nylon bag with screws	US26	50 pairs	500 pairs	Pair
		Closet Rod Holder Dimensions: 1 1/4" CTC Fasteners: #6 x 1" Wood Screws Material: Zinc Alloy Packed 1 piece per nylon bag with screws	US26	50	500	Each
	OVS-12	Adjustable Shelf and Oval Rod Support Supports Shelves Up to 14" Wide Used with 5/8" x 1 3/16" Oval Rods Screws Packed Individually with Bracket Can be used with OVLCLR-408 / OVLCLR-5012 Oval Closet Rods	US26	CASE QUANTITY ONLY		Each
	ACR1830	18" to 30" Adjustable Closet Rod	Bright Zinc	1	10	Each
	ACR3048	30" to 48" Adjustable Closet Rod				
	ACR4872	48" to 72" Adjustable Closet Rod				
	ACR7296	72" to 96" Adjustable Closet Rod				
	ACR72120	72" to 120" Adjustable Closet Rod				
	ACR96150	96" to 150" Adjustable Closet Rod				
	ASR-41	Adjustable Shelf and Rod Support. Supports Shelves Up to 14" Wide and Rods up to 1 1/2" Dia. Screws Packed Individually with Bracket.	White	CASE QUANTITY ONLY		Each
			US26	N/A	20	Each
	ADJ42	Adjustable Shelf Support Only. Supports Shelves up to 14" wide. Screws Packed Individually with Bracket.	White	CASE QUANTITY ONLY		Each
				N/A	20	Each
	SR27	Single Shelf & Rod Support. Supports Shelves Up to 14" Wide and Rods up to 1 1/2" Dia. Screws Packed Individually with Bracket.	White	CASE QUANTITY ONLY		Each
				N/A	80	Each
	FSR123	Heavy Duty Shelf & Rod Support. Supports Shelves Up to 14" Wide and Rods up to 1 1/2" Dia. Screws Packed Individually with Bracket.	White	CASE QUANTITY ONLY		Each
			US26	N/A	20	Each

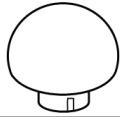


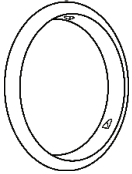
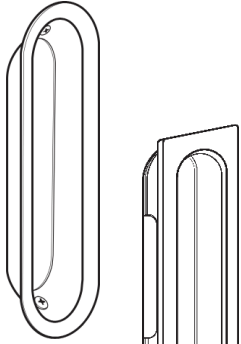
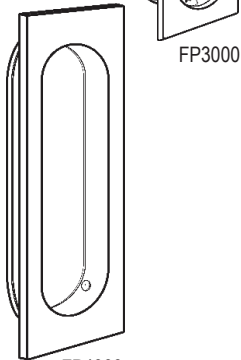
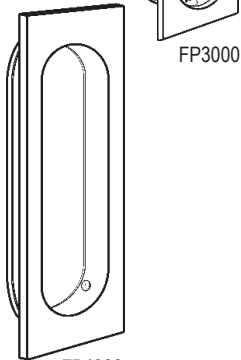
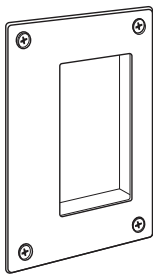
CLOSET HARDWARE

ILLUSTRATION	ITEM NO	DESCRIPTION	FINISH	INNER QTY	MASTER QTY	UNIT
	CLR-18	8' Chrome Plated Closet Rod; 1 1/16" Dia.	US26	1	10	Each
	CLR-112	12' Chrome Plated Closet Rod; 1 1/16" Dia.		1	8	Each
	CLR-200	8' Chrome Plated Closet Rod; 1 5/16" Dia.		1	6	Each
	CLR-500	12' Chrome Plated Closet Rod; 1 5/16" Dia.				Each
	CLR-30	Chrome Plated Closet Pole Socket for 1 1/16" diameter pole; Zinc Alloy Material Poly-bagged with #8 x 3/4" Screws Can be used with CLR-18 / CLR-112	US26	10	100	Each
	PSHD-10	Heavy Duty Die Cast Pole Socket for 1 5/16" diameter pole; Zinc Alloy Material Poly-bagged with #10 x 3/4" Screws Can be used with CLR-200 / CLR-500	US26	10	100	Each
	PS99	Closet Pole Socket for 1 3/8" diameter pole, Nylon. Poly-bagged with Screws	White	50	500	Each
	MPS3	Steel Closet Pole Socket for 1 3/8" diameter pole Poly-bagged with Screws.	US3, 10B, US15, 26	100	500	Each
	WDPS 82	Wood Closet Pole Socket 1 3/8" diameter	Wood	50	400	Each
	RC88	Jumbo Roller Catch, Size 2" Poly-bagged with Screws. Strike Size: 1 1/4" x 1/2", Square Corner	Zinc	50	500	Each
			US3, 10B			Each
	SBBC58	Solid Brass Adjustable Ball Catch 1" x 2 1/8", 1/4" Radius Latch Face & Strike Strike Size: 1 3/8" x 2 1/8", Round Corner	US3	20	200	Each
			US5, 10B, US15, 15A, US26, 26D, US1			Each
	BC97	Adjustable Ball Catch (2 1/4" x 1") with Full Lip Strike Plate RC Strike Size: 1 3/8" x 2 1/4", Round Corner	US3, 5, 10B, US15, 15A, US26, 26D	100	200	Each
	STRKBC97	Full Lip Strike Plate Round Corner For BC97 and DIB1 Strike Size: 1 3/8" x 2 1/4", Round Corner	US3, 5, 10B, US15, 15A, US26, 26D	50	500	Each

CLOSET HARDWARE

ILLUSTRATION	ITEM NO	DESCRIPTION	FINISH	INNER QTY	MASTER QTY	UNIT
	DIB1	Adjustable Drive-In Ball Catch, Packed with Full Lip Strike, Round Corner, Poly-bagged with Screws. Strike Size: 1 3/8" x 2 1/4", Round Corner	US3, 5, 10B, US15, 15A, US26, 26D US1	100	200	Each
	BLKDIB777	Adjustable Drive-In Ball Catch, Packed with Full Lip Strike, Round Corner, Poly-bagged with Screws. Strike Size: 1 3/8" x 2 1/4", Round Corner Bulk Packed	US3, 5, 10B, US15, 15A, US26, 26D	100	200	Each
	ARCT3350	Adjustable Roller Catch, Soft latching action. Special nylon roller for silent performance. Adjustable tension 4-17 lbs of holding power. Installs easily on thin doors. Includes brass full lip strike. Conforms to ANSI / BHMA A156.16 L27081 for brass and L87081 for steel. Dimensions: Face Plate: 2 1/4" x 7/8", Bore: 13/16" x 1 3/4" Strike: 2 1/4" x 1 3/4" Lip to center: 13/16"	US3, 10B, US15, 26D, US19, 26	10	200	Each
	BULCAT11	Bullet Catch 1/2" Diameter x 1 1/8" Packaging: Individually poly-bagged with standard full lip round corner and square corner strikes. Square Corner Strike Size: 5/8" x 1 1/4" Optional T-strike: Part# TCAT-108	US3, 5, 10B, US15, 26	50	500	Each
	TCAT108	T-Strike For Bullet Catch Size: 7/8" x 2 1/4"	US3, 5, 10B, US15, 26	50	500	Each
	WP300	3" Solid Brass Drawer Pull, 5/16" Dia. of Rod. Screws for 3/4" - 1 3/8" thick drawers or doors	US3, 26, 26D US10B	50	200	Each
	WP350	3 1/2" Solid Brass Drawer Pull, 5/16" Dia. of Rod. Screws for 3/4" - 1 3/8" thick drawers or doors	US3, 26, 26D US10B	50	200	Each
	WP400	4" Solid Brass Drawer Pull, 5/16" Dia. of Rod. Screws for 3/4" - 1 3/8" thick drawers or doors	US3, 26, 26D US10B	50	200	Each
	HDMC3270	Heavy Duty Magnetic Catch. Dual triple pole. Self-aligning magnets for maximum pull. Surface or mortise mounted. Steel case. Individually packed with sheet metal screws and 3 strikes. Conforms to ANSI / BHMA A156.9 B43161 Dimensions: 3 1/8" Long x 1" Deep x 7/8" Thick Load Capacity: 14 lbs.	ALUM	50	200	Each
	TPMC3230	Triple Pole Magnetic Catch. Self-aligning magnets for maximum pull. Adjustable. Steel case. Individually packed with sheet metal screws, 1 strike size. Conforms to ANSI / BHMA A156.9 Dimensions: 2 1/16" Long x 1 5/32" Deep x 7/8" Thick Load Capacity: 6 lbs.	ALUM	50	500	Each

CLOSET HARDWARE

ILLUSTRATION	ITEM NO	DESCRIPTION	FINISH	INNER QTY	MASTER QTY	UNIT
	BK14	Bi-Fold Ball Knob Width: 1 1/4", Height: 1 3/8" Poly-bagged Individually with 1 5/8", 1 7/8" and 2" screws	US3, 5, 10B, US15, 15A, US26, 26D, US1	20	200	Each
	PLA2	Back Plates For BK14, Diameter 1 3/4".	US3, 5, 10B, US15, 15A, US26, 26D, US1	20	200	Each
	CK130	Bi-Fold Concave Knob Beveled Edge (1") Screw, 1 3/8" Dia.	US3, 5, 26D	20	200	Each
	DIFP218	Drive In Finger Pull without Nails 2 1/8" Diameter	US3, 5, 10B, US15, 15A, US26, 26D, US1	150	600	Each
	FP2000	Solid Brass Oval Flush Pull Dimensions: 3 9/16" x 1 5/16" x 7/16"	US3, 10B, 15, US26, 26D, US1	40	200	Each
	FP3000	Solid Brass Rectangular Flush Pull with Optional Snap-In Plate Dimensions: 3 1/8" x 1 5/16" x 7/16"	US10B, 15, US26, 26D, US1	20	200	Each
	FP4000	Solid Brass Rectangular Flush Pull with Removable Back Plate Dimensions: 3 7/8" x 1 11/16" x 7/16"	US10B, 15, US26, 26D, US1	20	100	Each
	CRP150N	Stainless Steel Flush Cup Pull Dimensions: Face: 3 1/2" x 5" Projection: 1/8" Cup Clearance: 7/8" Fasteners: (4) #6 x 5/8" OPHWS	US32D US10B	6	60	Each Each