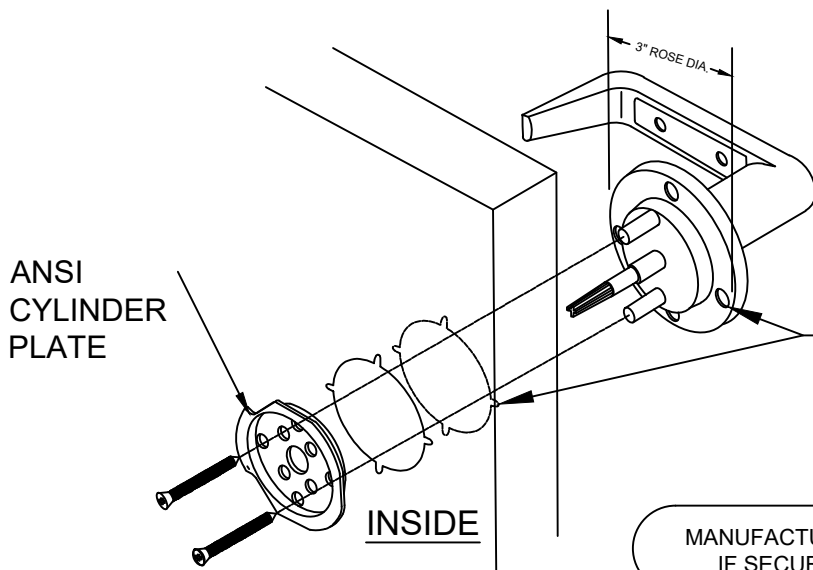


CLU6000L INSTALLATION INSTRUCTIONS FOR PANIC EXIT DEVICE TRIM

ON DOORS WITH CYLINDRICAL LOCK CUT-OUT



NOTE:

IMPORTANT:

OPTIONAL ALIGNMENT STUDS MUST ENTER INTO EITHER TWO (2) 3/16" (4.5mm) VERTICALLY POSITIONED OR TWO (2) 3/16" (4.5mm) HORIZONTALLY POSITIONED FIELD DRILLED HOLES ON OUTSIDE OF DOOR (EXISTING SLOTS CAN BE ELONGATED WITH A FILE)

MANUFACTURER'S WARRANTY IS INVALID
IF SECURITY STUDS ARE NOT USED

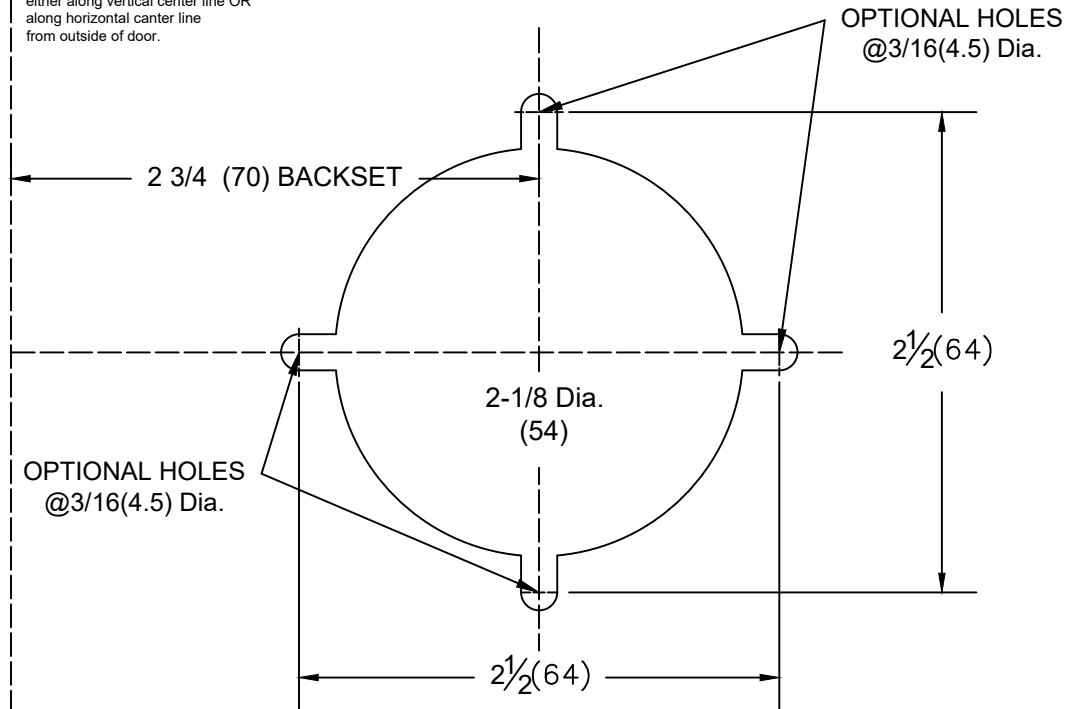
TEMPLATE

FOR WOOD OR METAL DOOR

OPTIONAL

Drill two 3/16" (4.5mm) holes either along vertical center line OR along horizontal center line from outside of door.


FOLD AND ALIGN TEMPLATE ON EDGE OF DOOR



PLACE TEMPLATE ON HIGH EDGE OF BEVEL

The illustration and technical description in this cut sheet is current as of the date in version date on the right.

Cal-Royal Product reserves the right to, and may, on occasions, make changes and/or improvements in designs and dimensions without prior notice.

	6605 Flotilla Street City of Commerce CA 90040 USA Tel: # (323) 888-6601 FAX # (323) 888-6699 WEB SITE: CAL-ROYAL.COM Email: sales@cal-royal.com		ITEM NO. CLU6000L	DESCRIPTION Installation Instructions and Template for Trim of Panic Exit Device (DOORS WITH CYLINDRICAL LOCK CUT-OUT)	NOT TO SCALE PAGE 1 of 1	UNIT PRIMARY DIMENSION SHOWN IN INCHES, DIMENSIONS IN () ARE mm	Prepared By: BBT / ADG AED / CVL	DATE 11/06/2023	DWG. NO. EDT-4110-11/23-1 of 1 REV
--	---	--	--------------------------	---	---------------------------------	---	--	------------------------	--