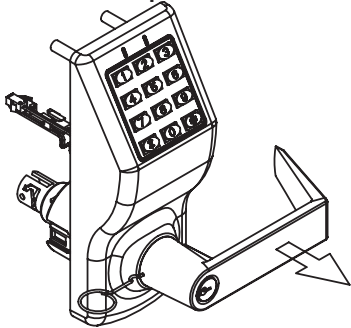
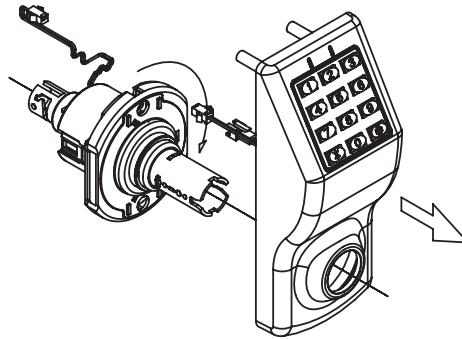


HOW TO REVERSE THE HANDING OF CAL-ROYAL CR3000

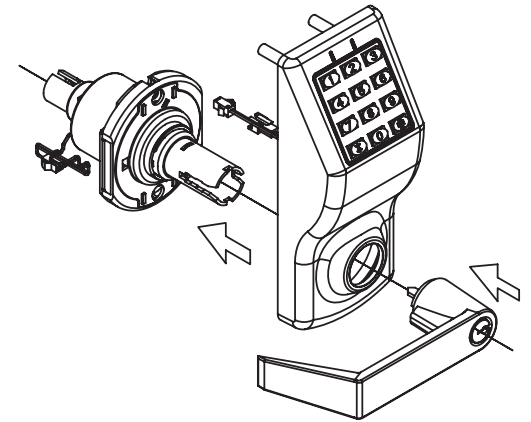
1. Insert the long end of the lever catch tool in the hole on the side of the lever (see illustration below). While depressing the tool, turn key clockwise and pull lever off.



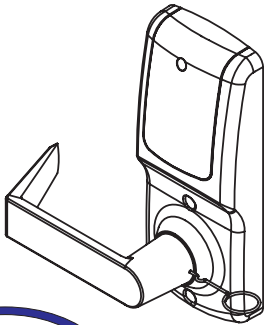
2. Turn rose and chassis 180° for opposite hand of door.



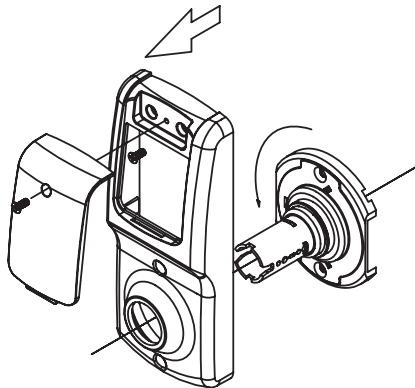
3. Fit lever to desired handing position at 90°
4. Turn key clockwise and push lever on fully until positive engagement 'click' is felt
5. Make sure outside lever is securely engaged with the spindle



1. Depress inside lever catch and pull off lever



2. Turn inside rose 180° for opposite hand of door.



3. Fit lever to desired handing position at 90°
4. Push inside lever on fully until positive engagement 'click' is felt
5. Make sure inside lever is securely engaged with the spindle

