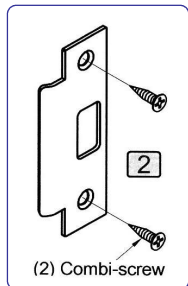
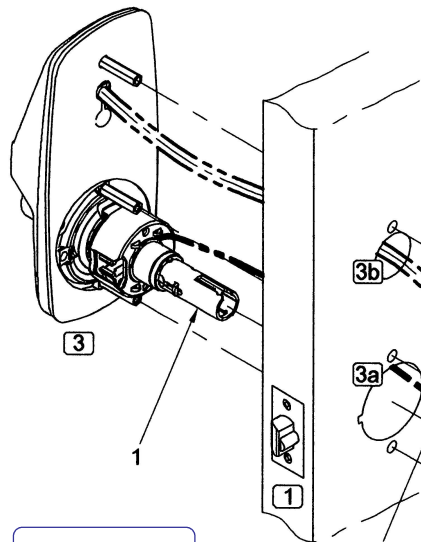
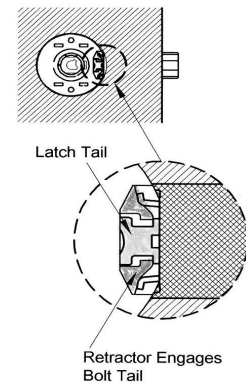
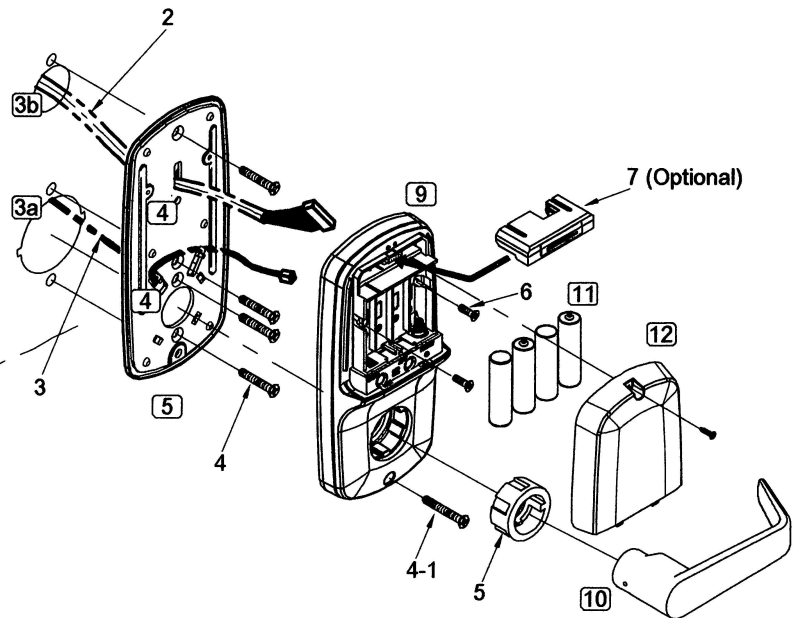


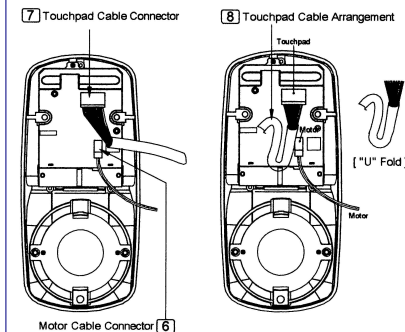
Outside Assembly



Inside Assembly



[Detail "A"]



1. Install latch in door.
2. Install strike on the door frame.
3. Insert outside assembly through door.(See Detail A above)
4. Guide motor cable and touchpad cable through mounting plate.
5. Slide mounting plate assembly over outside assembly and secure both assemblies with (4)10-32x1-1/5"(30mm) mounting plate screw.
6. Attach motor cable connector to the inside escutcheon PC board lower header.


7. Attach the touchpad cable connector to the inside escutcheon PC board header as illustrated.
8. Slide inside escutcheon over mounting plate assembly.("U" fold touchpad cable)
9. Install and secure inside escutcheon with the (2)M4xP0.7-15/32"(12mm) and (1)10-32x1-13/32"(36mm) screw.
10. Slide inside lever onto spindle and push in to attach.
11. Insert (4)AA alkaline batteries.
12. Attach battery cover and secure screw.



Touch the screen with palm of hand or fingers to activate.

Mstr PIN Enter the Master PIN Code (Only 6 digits in length). [Factory Default: 123456]

U PIN Enter the User PIN Code (4~6 digits in length).

1	Change Default Master Code Before Programming
W →	Default Mstr PIN # → 1 # → Enter New Mstr PIN # → Enter New Mstr PIN # → *
2	Register User PIN Code
W →	Mstr PIN # → 2 # → Enter U PIN # → # → *
3	Delete registered PIN Code except Master PIN Code
W →	Mstr PIN # → 3 # → Registered U PIN # → # → *
4	Register One-Time User PIN Code
W →	Mstr PIN # → 4 # → One-Time U PIN # → # → *
8	Register RF Card
W →	Mstr PIN # → 8 # → Enter the Card Register No. (1~499) # → Place the RF Card on Touchpad # → *
9	Delete RF Card
W →	Mstr PIN # → 9 # → Enter the Card Registered No. # → # → *
5	Setting Up/Releasing Passage Mode
W →	Mstr PIN # → 5 # → 1 Enable *
	→ 3 Disable *
	☞ Another method to disable Passage Mode:  → Enter Registered U PIN # → 5 → *
7	Setting Up/Releasing Lockout Mode
W →	Mstr PIN # → 7 # → 1 Enable *
	→ 3 Disable *
0	Setting Up the Sound Volume or Re-lock Time
W →	Mstr PIN # → 0 # → 1 Volume # → 1~4 *
	→ 2 Re-lock Time # → 1~9 *
☞	Sound Volume: 1 minimum volume ~ 3 maximum volume, 4 mute.
☞	Re-lock Time: 1 to 9 seconds through feature settings. (factory default 5 five seconds)